

# **F I S H E R & P A Y K E L**

## **D I S H W A S H E R**

---

DW24U6I1 & DW24U2I1 models

**INSTALLATION GUIDE**

**US CA**

**591955B 07.19**



# CONTENTS

---

- ① SAFETY AND WARNINGS
- ② COMPONENTS
- ③ TOOLS
- ④ TECHNICAL DATA
- ⑤ BEFORE INSTALLATION
- ⑥ APPLIANCE DIMENSIONS
- ⑦ CABINETY DIMENSIONS
- ⑧ ELECTRICAL AND PLUMBING PREPARATION
  - ⑨ CAVITY PREPARATION
  - ⑩ ATTACH INFILL BRACKET
  - ⑪ CUSTOM DOOR PANEL PREPARATION
- [A] DRILL PILOT HOLES USING SUPPLIED TEMPLATE OR [B] MANUALLY MARK AND DRILL PILOT HOLES
- ⑫ ATTACHING CUSTOM DOOR PANEL
  - ⑬ LEVEL DISHWASHER
  - ⑭ ALIGN APPLIANCE IN CABINETY
  - ⑮ ELECTRICAL CONNECTION
  - ⑯ HARD PLUMBING
  - ⑰ PLUMBING AND DRAINAGE OPTIONS
  - ⑱ TOE KICK INSTALLATION
  - ⑲ SECURE THE APPLIANCE
- [A] FIX THE PRODUCT TO ADJACENT CABINETY OR [B] FIX THE APPLIANCE TO BENCHTOP ABOVE
- ⑳ CONNECT INLET HOSE TO HOT WATER
  - ㉑ CONNECT TO POWER
  - ㉒ TROUBLESHOOTING
  - ㉓ FINAL CHECKLIST

---

## IMPORTANT!

### SAVE THIS INSTALLATION GUIDE

The models shown in this installation guide may not be available in all markets and are subject to change at any time. For current details about model and specification availability in your country, go to our website [fisherpaykel.com](http://fisherpaykel.com) or contact your local Fisher & Paykel dealer.



**⚠ WARNING!**



**Electrical Shock Hazard**

Before installing the dishwasher, remove the house fuse or open the circuit breaker.

Ensure that a qualified electrician or service representative has checked if the appliance is properly grounded.

Improper connection of equipment-grounding conductor can result to risk of electric shock.

Do not modify the power supply plug provided with the appliance — if it will not fit the outlet, have a proper outlet installed by a qualified electrician.

Do not use an extension cord, adapter plug or multiple outlet box.

Ensure the dishwasher is completely enclosed at the time of installation to reduce the risk of electrical shock, fire, or personal injury.

Ensure the dishwasher is disconnected from the power supply before fitting the front panels.

Ensure components such as panel bracket and any custom metal component (eg handle) that extends past the rubber seal, are electrically grounded after installing the front panels.

Failure to follow these advice may result in electrical shock or death.

**⚠ WARNING!**



**Cut Hazard**

Take care — panel edges are sharp.

Failure to use caution could result in injury or cuts.

## IMPORTANT SAFETY GUIDE

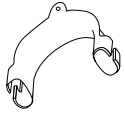
- This dishwasher is manufactured for indoor use only.
- Ensure to follow safety and the warnings to prevent electrical shock, injury or fire.
- Ensure to remove all packaging materials supplied with the dishwasher.
- This dishdrawer is intended for connection to the hot-water supply.
- The dishwasher **MUST** be installed to allow for future removal from the enclosure if service is required.
- Installation of this dishwasher requires basic mechanical and electrical skills.
- Installation must comply with your local building, electricity, and plumbing regulations.
- It is the responsibility of the plumber and electrician to ensure that each installation complies with all Codes and Regulations.
- The switched power outlet must be located outside the dishwasher cavity to allow easy access after installation. Take care when installing or removing the appliance to avoid possible damage to the power supply cord and hoses.
- If the dishwasher is to be relocated from one installation to another it must be kept upright to avoid damage from water spillage.
- Make sure only new hoses are used for connection (supplied with the dishwasher). Old hoses should not be reused.
- Failure to install the dishwasher correctly could invalidate any warranty or liability claims.
- Fitting integrated front panels requires access to electrical service areas. This work must be performed and certified by a qualified electrical service technician.
- Ensure the appliance is not plugged in when fitting custom panels.
- Failure to install the custom panels correctly could invalidate any warranty or liability claims.
- At the completion of the dishwasher installation, the Installer must perform the Final Checklist.

### GROUNDING

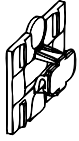
- This appliance must be grounded. In the event of a malfunction or breakdown, grounding will reduce the risk of electric shock by providing a path of least resistance for electric current.
- This appliance is equipped with a cord having an equipment-grounding conductor and a grounding plug. The plug must be plugged into an appropriate outlet that is installed and grounded in accordance with all local codes and ordinances.
- If the dishwasher is installed as a permanently connected appliance:  
This appliance must be connected to a grounded metal, permanent wiring system, or an equipment-grounding conductor must be run with the circuit conductors and connected to the equipment-grounding terminal or lead on the appliance.

## 2 COMPONENTS

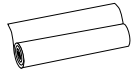
### Supplied parts



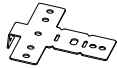
Drain hose support  
(1)



Plastic slider  
(1)



Moisture protection tape for  
cabinetry (1)



Mounting brackets for wood  
countertop or side cabinets (2)



Ø3.5 x 1/2" (12mm) screws  
(4)



Ø4 x 1" (25mm) screws  
(4)



Ø3.9 x 1 1/2" (38mm) screws  
(4)



Ø3.9 x 1/2" (13mm) screws  
(4)



Installation guide  
(1)



User guide  
(1)



Service &  
Warranty (1)



Door panel template  
(1)

### Required parts



UL-listed wire nuts  
(3)

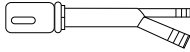


Thread seal tape  
(1)

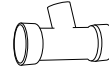


3/4" (19mm)  
Elbow 90° (1)

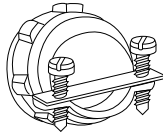
### Components for new installation only (available in hardware stores)



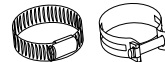
Air gap for drain hose  
(use only if required)



Waste tee for house plumbing  
(use only if required)



3/4" (16mm) Strain relief for  
electrical connection



Screw-type hose clamps



Hot water line with ferrule and  
compression nut - min 3/8"  
(9.5mm) copper tubing or flexible  
braided hose



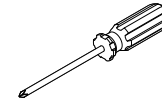
ØElectrical cable or Power cord  
kit (5' 4" long) or (7' 9" long)  
depending on your installation



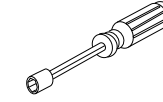
Hand shut-off valve (recommended)

## 3 TOOLS

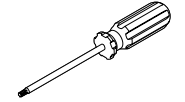
### Required tools



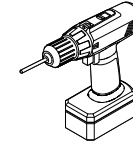
Phillips-head  
screwdriver



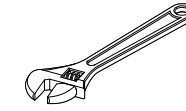
Nutdriver  
1/4" (6.35mm) and 5/16"  
(7.94mm)



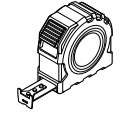
Torque driver T25



Powered drill



Adjustable wrench 6"  
(152.4mm)



Measuring tape



Safety glasses



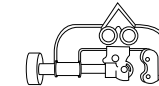
Torch



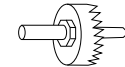
Gloves



Bucket - for flushing  
the line



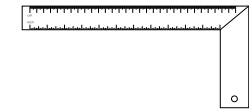
Tubing cutter



Hole saw set



Level



Carpenter's square



Allen key 1/4" (6mm)

## ④ TECHNICAL DATA

### Technical data

Check the electrical data on the rating label (located on the left-hand side of the dishwasher's stainless steel inner door). If the data on the rating label are different to the specification below, consider the data as correct.

	DW24U2I1 models	DW24U6I1 models
Capacity	12 place settings	14 place settings
Mains water pressure	0.03-1 MPa (= 0.3-10 bar)	0.03-1 MPa (= 0.3-10 bar)
Power voltage	120V (60 Hz)	120V (60 Hz)
Maximum current intensity	8.9 A	8.9 A
Total absorbed power	1050 W	1050 W

### Anti-flood protection

This dishwasher has anti-flood protection which will stop the water flowing in the event of a leak within the machine.

## ⑤ BEFORE INSTALLATION

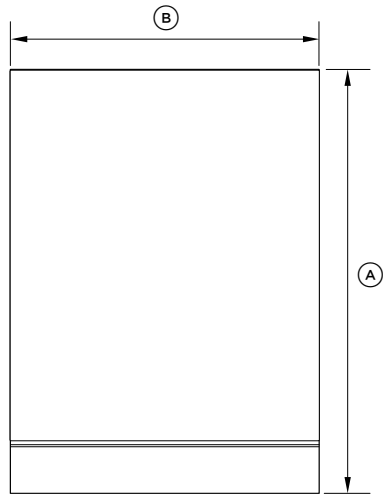
### Unpacking and handling

- Check packaging and dishwasher for signs of transport damage. Do not install if the dishwasher is damaged. Contact the dealer where you purchased the dishwasher.
- We recommend to recycle some of the packaging. Check the symbols and labels to ensure if recycling is possible.
- Always be careful with the hoses and power cord at the back of the dishwasher. Ensure they are not squashed, kinked or cut to prevent damage and malfunction.

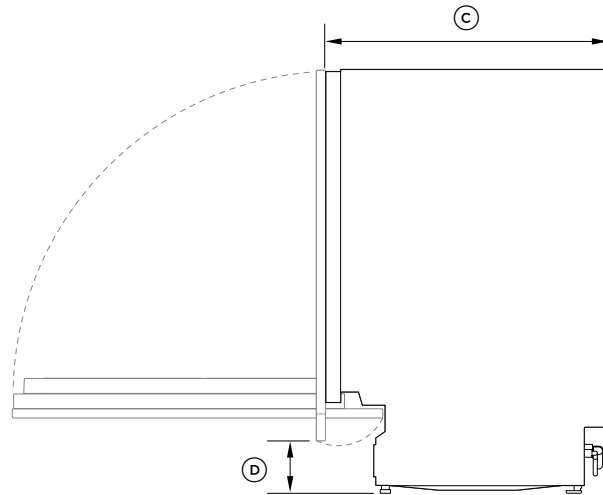
### Connections and services

- Do not use extension cords or multi-outlet power boards to connect the dishwasher to the power supply.
- Do not connect the dishwasher to a water system where the temperature exceeds 140°F (60°C), or where there is no temperature control, eg wetback system, unless the system is fitted with a suitable tempering valve.
- Do not connect the dishwasher to an undersink high-pressure 'push-through' type hot water system to prevent damage to the system.

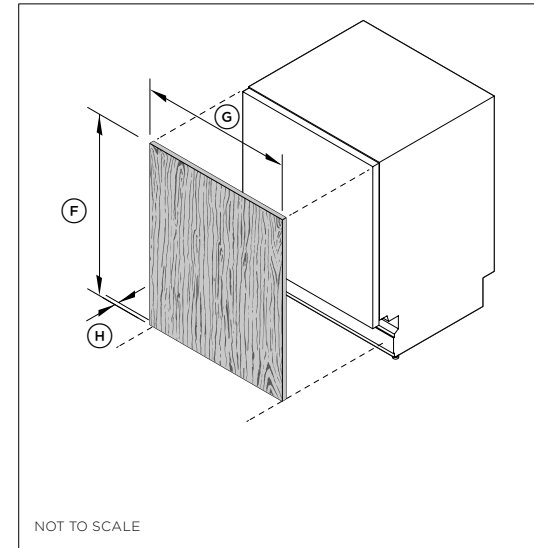
## ⑥ APPLIANCE DIMENSIONS



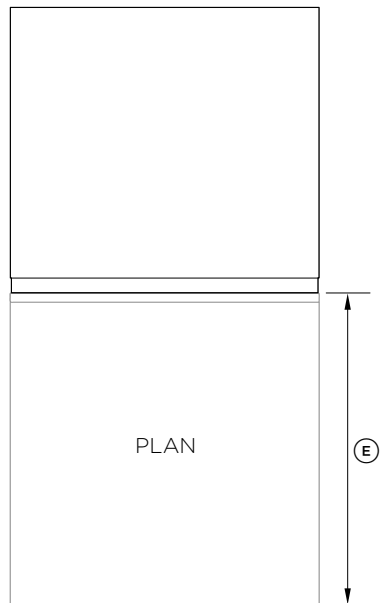
FRONT



PROFILE



NOT TO SCALE



PLAN

### DW24U611/DW24U211 models

#### APPLIANCE DIMENSIONS

	in	mm
Ⓐ Overall height of appliance*	32 1/4 - 34 5/8	820 - 880
Ⓑ Overall width of appliance (excl. side seals)	23 3/4	603
Ⓒ Overall depth of appliance (excl. custom panel & handle)	21 3/4	552
Ⓓ Height from floor to bottom of custom panel	4 - 8	100 - 212
Ⓔ Depth of open door (measured from front of chassis) (excl. custom panel)	23 7/8	606

\* depending on adjustment of levelling feet

#### CUSTOM PANEL DIMENSIONS

	in	mm
Ⓕ Height of custom door panel*	26 3/16 - 30	665 - 717
Ⓖ Width of custom door panel*	23 7/16 - 23 13/16	596 - 605
Ⓗ Depth of custom door panel*	5/8 - 3/4	16 - 19

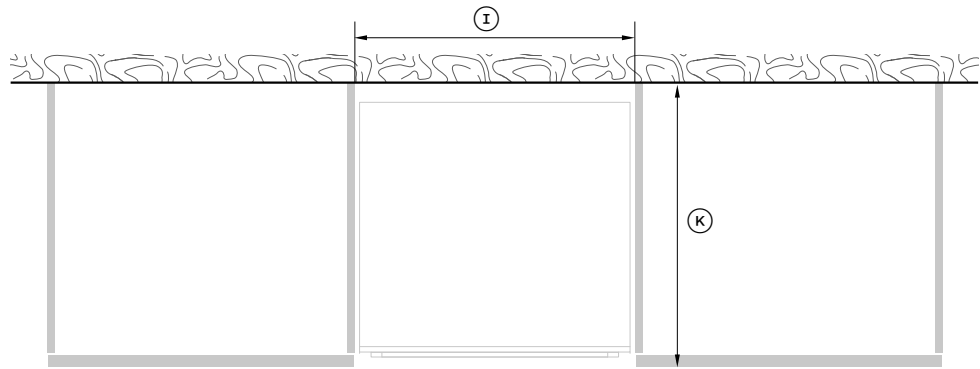
#### CUSTOM PANEL WEIGHT

	lbs	kg
Overall weight of custom door panel	8.9 - 17.6	4 - 8

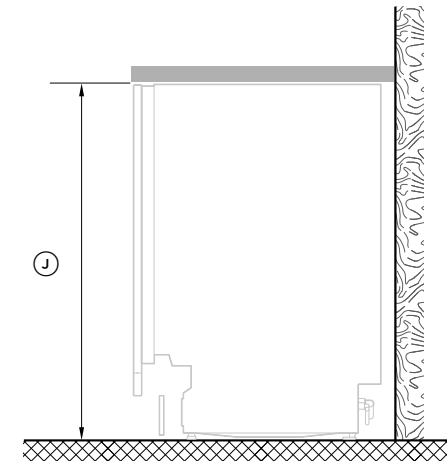
\* depending on cabinetry dimensions



## ⑦ CABINETY DIMENSIONS



PLAN



PROFILE

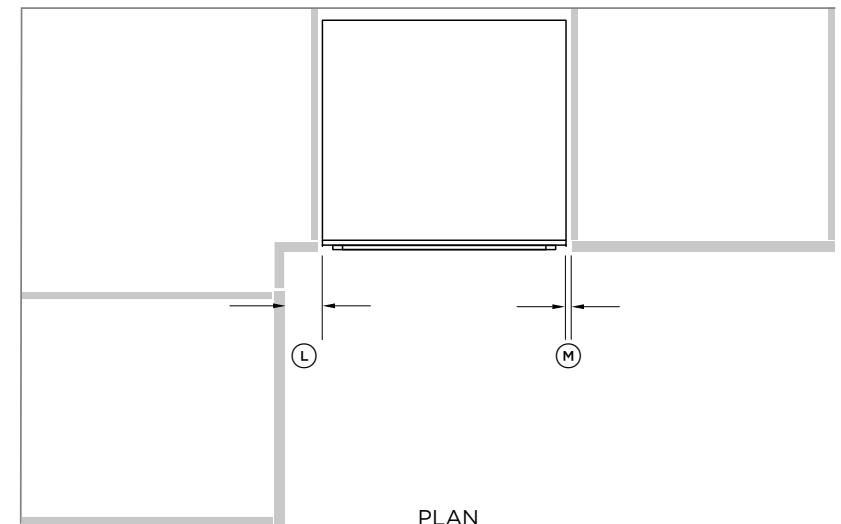
### DW24U6I1/DW24U2I1 models

CABINETY DIMENSIONS	in	mm
Ⓘ Inside width of cavity	24	610
Ⓙ Inside height of cavity*	32 1/4 - 34 5/8	820 - 880
Ⓚ Inside depth of cavity	min. 22 5/8	min. 574

\* depending on adjustment of levelling feet

### DW24U6I1/DW24U2I1 models

CLEARANCE DIMENSIONS	in	mm
Ⓛ Clearance from corner cupboard	1/2	13
Ⓜ Clearance to adjacent cupboard door	min. 1/16	2

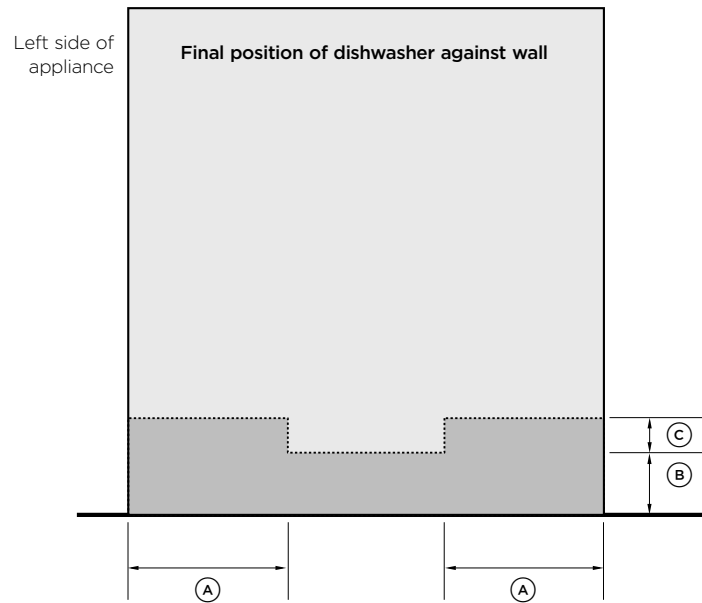


PLAN

**Select plumbing option**

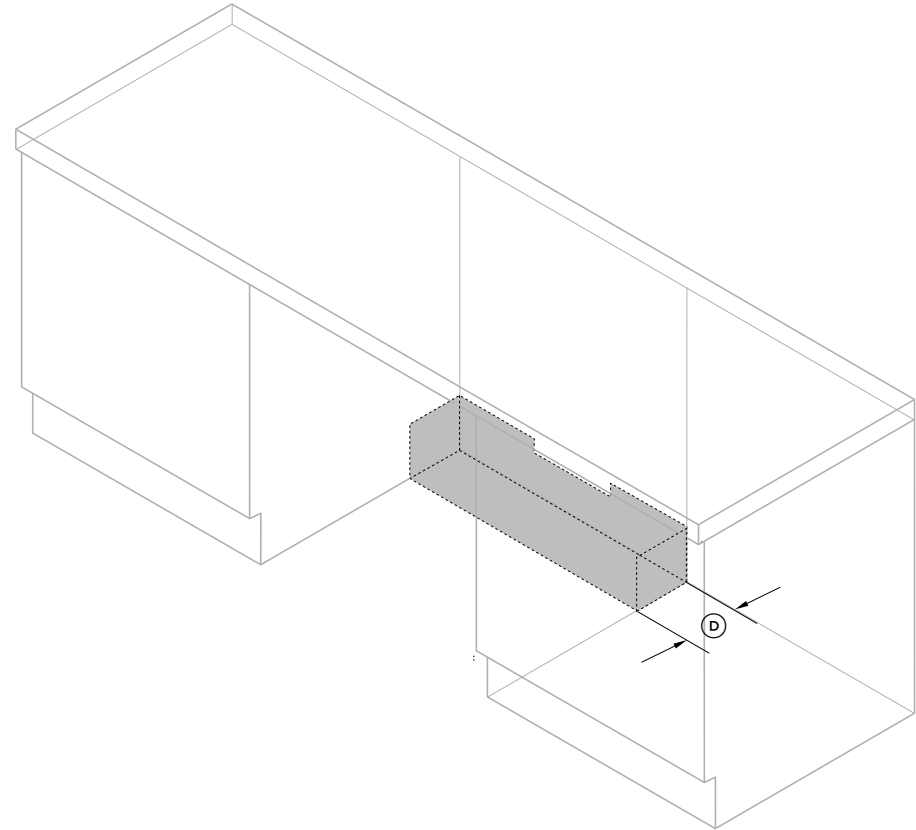
- Hose connection
- Copper pipe connection

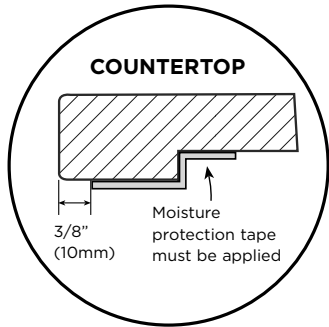
Refer to 'Plumbing and Drainage options' (page 16) for more information.



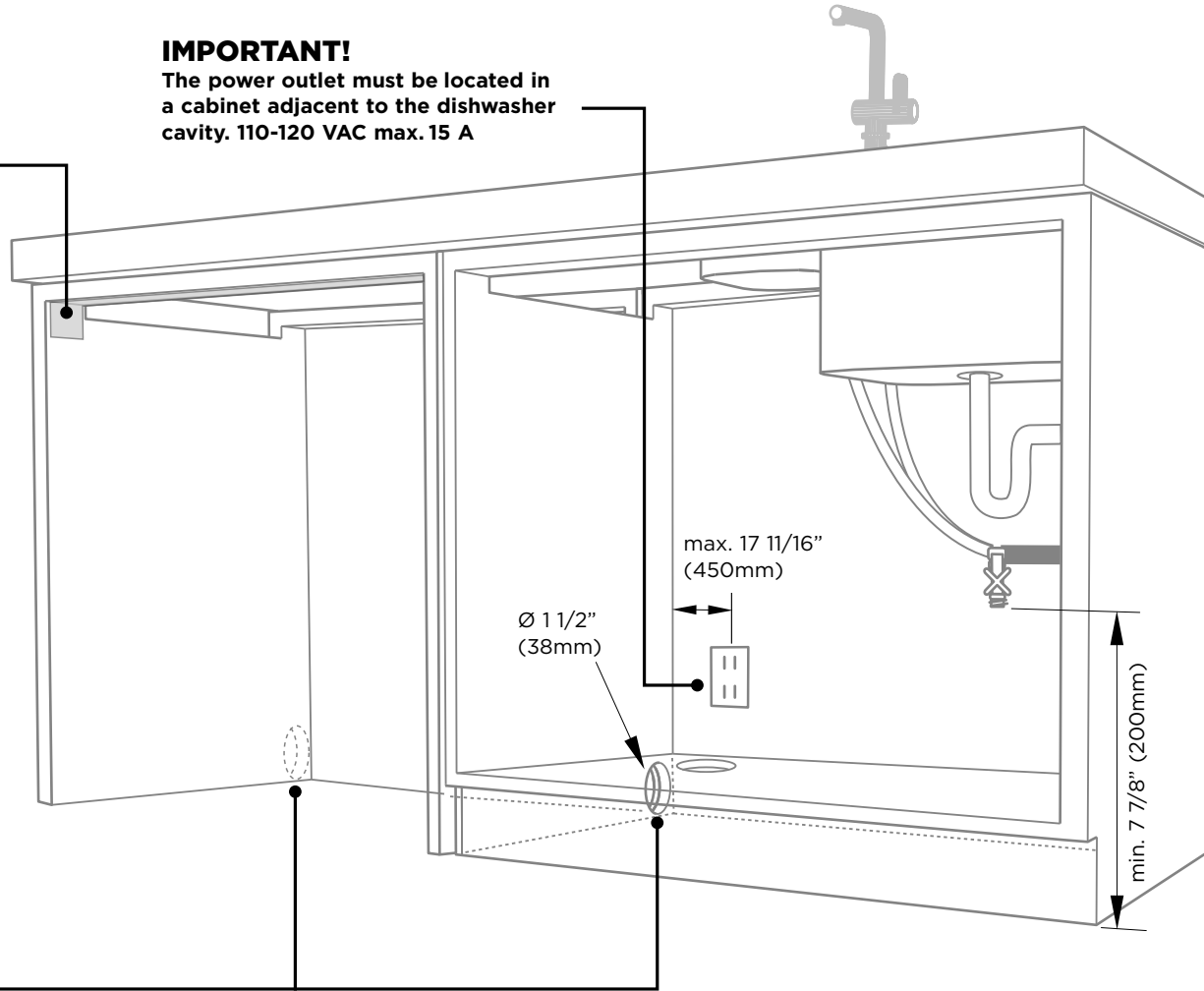
**Supply area dimensions**

SECTION	inches	mm
(A)	5	127
(B)	4	102
(C)	2	51
(D)	3	76

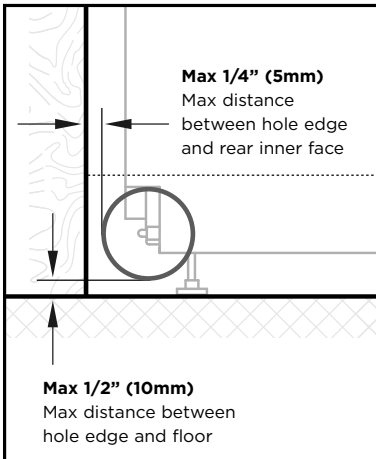




**IMPORTANT!**  
The power outlet must be located in a cabinet adjacent to the dishwasher cavity. 110-120 VAC max. 15 A



**WARNING!**  
Incorrect placement of the hole will result in damage to hoses.



**Service Holes**

Can be located either side of dishwasher, close to the rear face and the floor, as illustrated, for access to the water supply and drain.

- If the hole is through wood, make sure its edges are smooth and rounded.
- If the hole is through metal, ensure you fit the supplied Edge Protector to prevent damage to the power cord.

**Water Connection**

Recommended **HOT**  
(Maximum 140°F/60°C).

Supplied hose to suit 3/8" (9mm) male compression fitting.

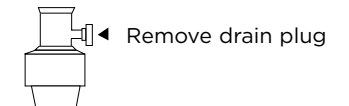
**Water Pressure**

**Water softener models**  
Max. 1 MPa (145 psi)  
Min. 0.1 MPa (14.5 psi)

**Models without water softener**  
Max. 1 MPa (145 psi)  
Min. 0.03 MPa (4.3 psi)

**IMPORTANT!**

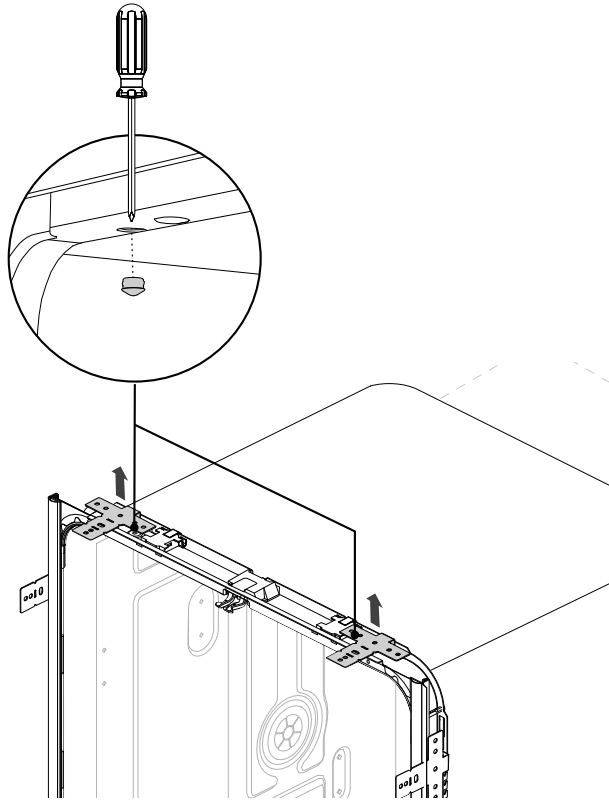
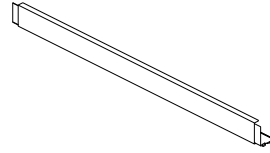
When connecting drain line to disposer, check to be sure that drain plug has been removed. Dishwasher will not drain if plug is left in place.



## 10 ATTACH INFILL BRACKET

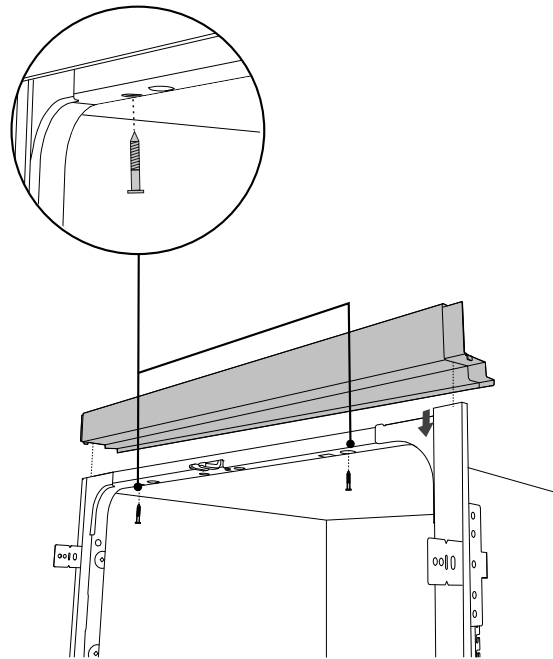
### IMPORTANT!

- The infill bracket is installed as a cosmetic feature to fill the empty space visible for cabinets with cavity height of 35.5" or above.
- Installation of infill bracket is not needed for cabinets with ADA standard.



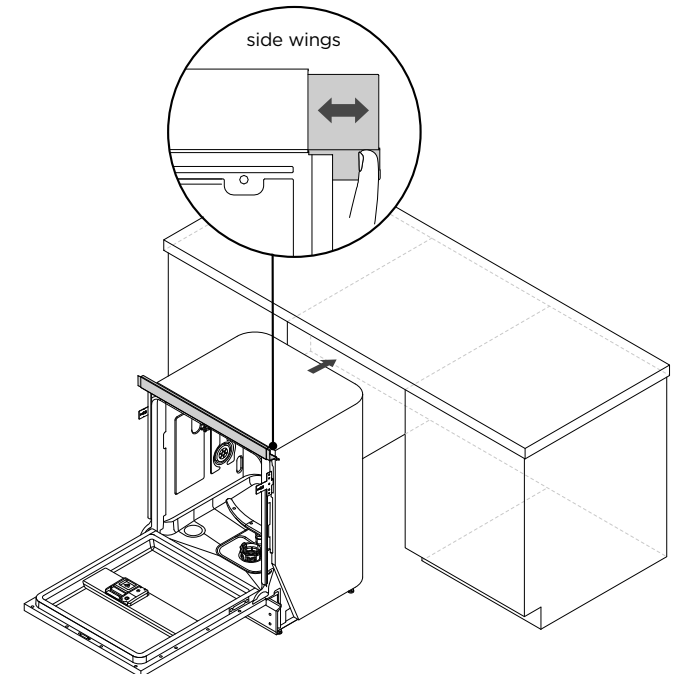
### ① Remove upper mounting bracket and plastic plugs

- Open the door.
- Unscrew the upper mounting bracket from the top of the appliance.
- Push a small screwdriver downward through the screw hole from the top of the appliance to remove the plastic plug.



### ② Install the infill bracket

- Remove two screws pre-installed from the infill bracket.
- Use the same screws to attach the bracket to the top of the appliance. Do not tighten fully.



### ③ Align and adjust appliance in cabinetry

- Push the appliance into the cabinetry. Ensure the infill bracket do not hit the top of the cabinet while pushing. (Refer to 'Align appliance in cabinetry' for more details.)
- Slide the side wings of the bracket outward to cover the hollow space.
- Hand tighten the two screws.

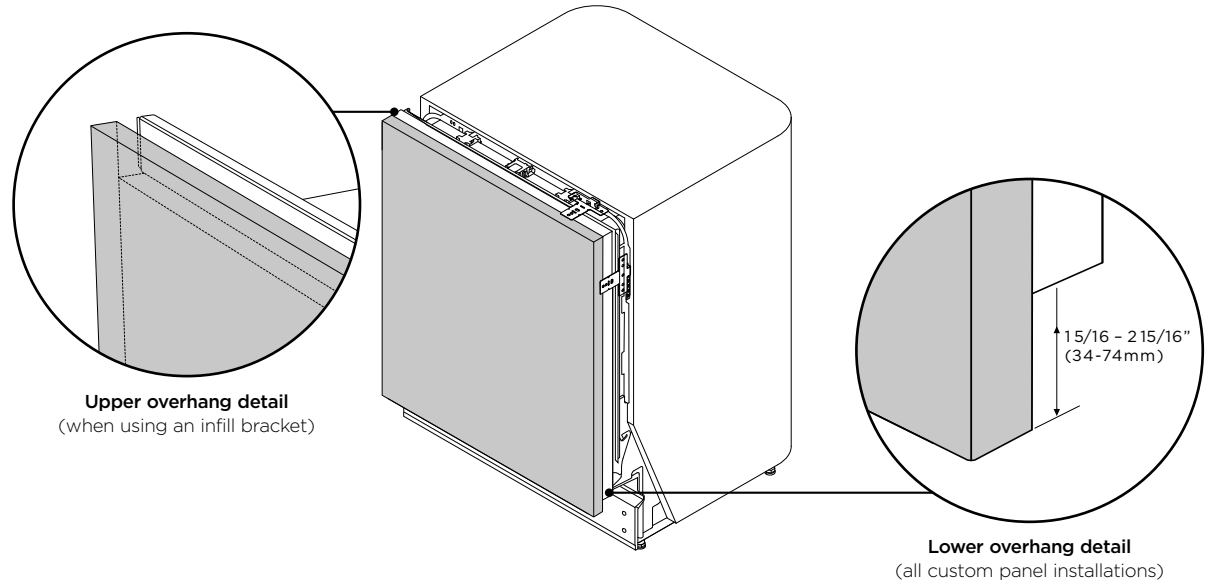
# 11 CUSTOM DOOR PANEL PREPARATION

## IMPORTANT!

- Ensure the custom door panel has the correct specifications to fit the front of the dishwasher.
- Ensure the back and sides of the panel are completely sealed with a waterproof vapor barrier (ie polyurethane). The barrier allows the panel to withstand moisture (122°F (50°C) @ 80% RH) and prevent damage during hot and wet environment.

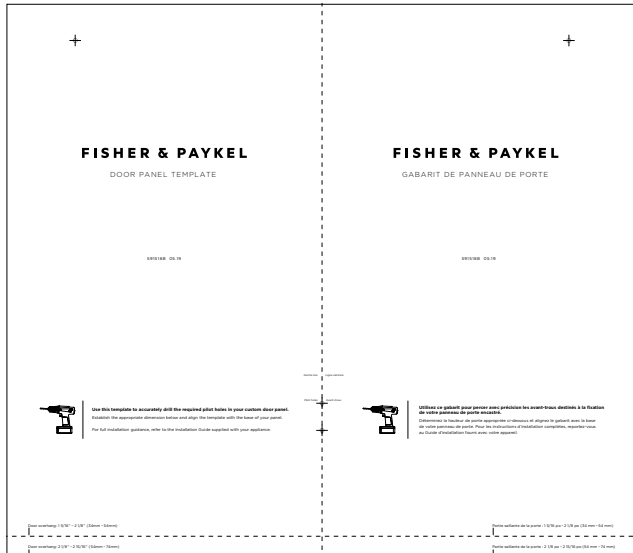
### Measure the panel and overhang

Measure the custom panel and check the overhang length from the base of the door.



## [A] DRILL PILOT HOLES USING SUPPLIED TEMPLATE

Using the supplied Door Panel Template, mark out and drill the required pilot holes into your custom panel. Ensure pilot holes are 1/16" (2mm) wide and 1/2" (12mm) deep.



## [B] MANUALLY MARK AND DRILL PILOT HOLES

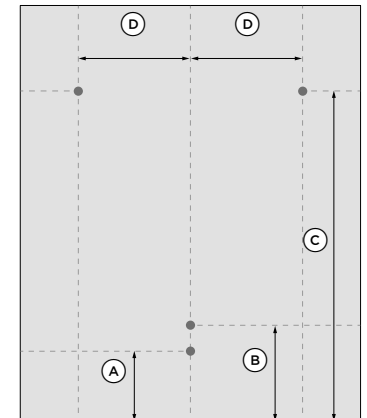
If the template is not available, mark the pilot holes manually on your custom panel based on measurements in the below table. Ensure pilot holes are 1/16" (2mm) wide and 1/2" (12mm) deep.

If overhang is between 1 5/16" (34mm) and 2 1/8" (54mm):

PANEL A MEASUREMENTS	in (mm)
(A) Base of panel to lower bracket hole	4 1/16 (103)
(B) Base of panel to upper bracket hole	4 7/8 (124)
(C) Base of panel to handle holes	18 9/16 (472)
(D) Centre line to handle holes	9 1/4 (235)

If overhang is between 2 1/8" (54mm) and 2 15/16" (74mm):

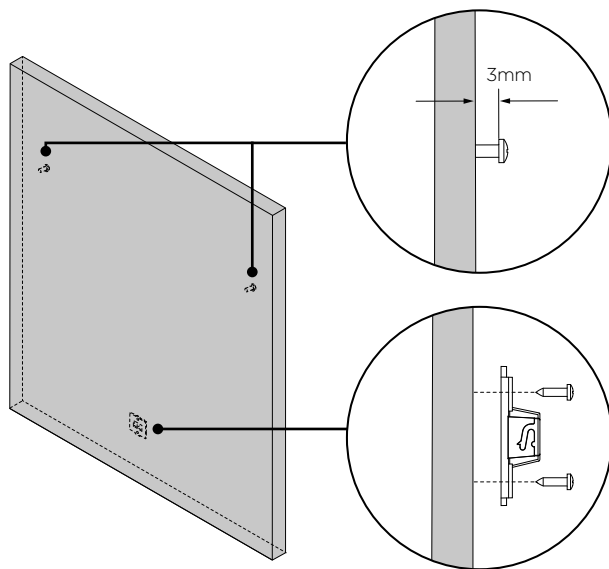
PANEL B MEASUREMENTS	in (mm)
(A) Base of panel to lower bracket hole	4 13/16 (123)
(B) Base of panel to upper bracket hole	5 11/16 (144)
(C) Base of panel to handle holes	19 3/8 (492)
(D) Centre line to handle holes	9 1/4 (235)



Note: measurements are to center of holes.

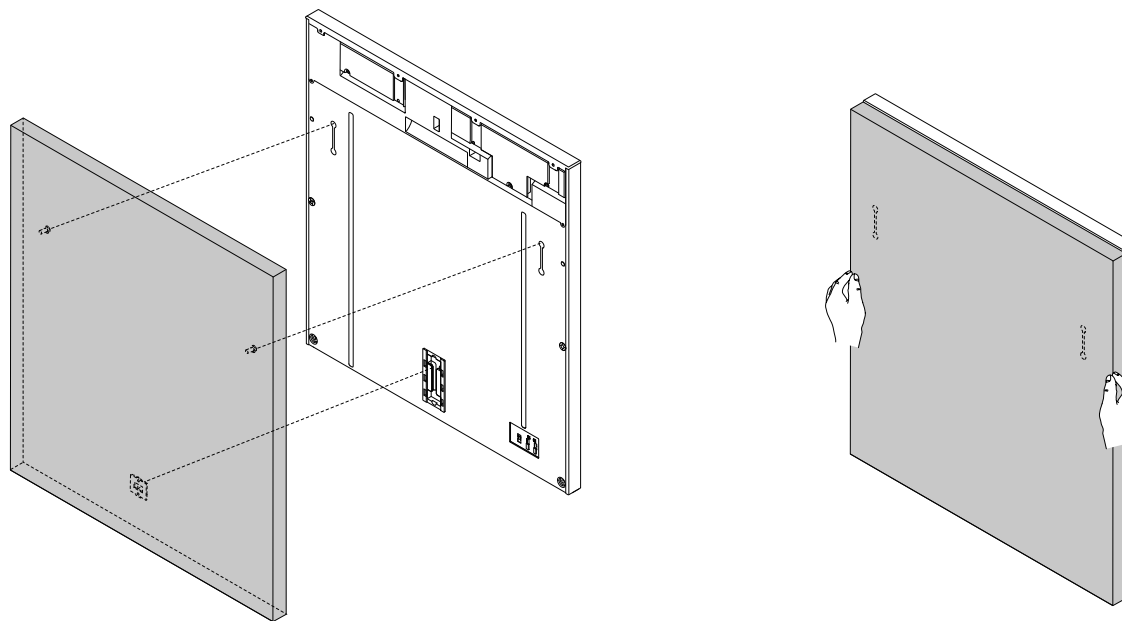
## 12 ATTACHING CUSTOM DOOR PANEL

**Top screw detail**  
(between panel and screw head)

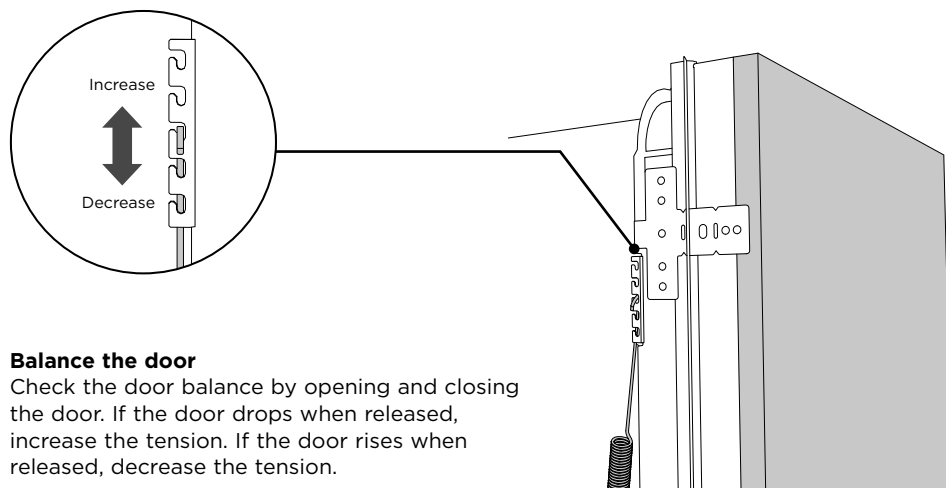


- ① **Fix slider bracket and screws to custom panel**  
Insert  $\text{Ø}3.9 \times 1/2"$  (13mm) screws through the top two pilot holes. Fix the slider bracket to the panel through the lower pilot holes.

- ② **Hang custom panel onto the door**  
Close the door of the dishwasher and align the screws and the bracket on the custom panel to the front of the dishwasher door.

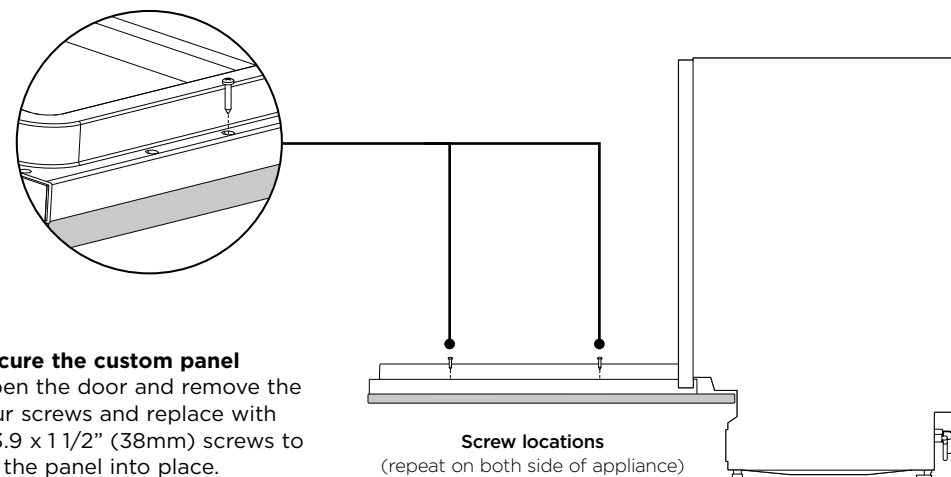


- ③ **Adjust the placement of the custom panel**  
Slide the custom panel up or down to position it in the desired location.



- ④ **Balance the door**  
Check the door balance by opening and closing the door. If the door drops when released, increase the tension. If the door rises when released, decrease the tension.

- ⑤ **Secure the custom panel**  
Open the door and remove the four screws and replace with  $\text{Ø}3.9 \times 1 1/2"$  (38mm) screws to fix the panel into place.

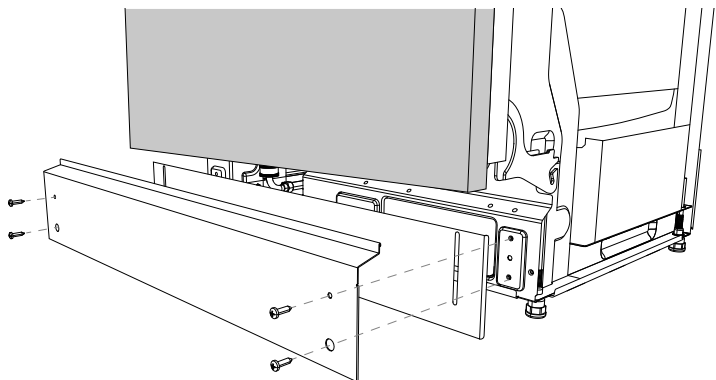


## 13 LEVEL DISHWASHER

### IMPORTANT!

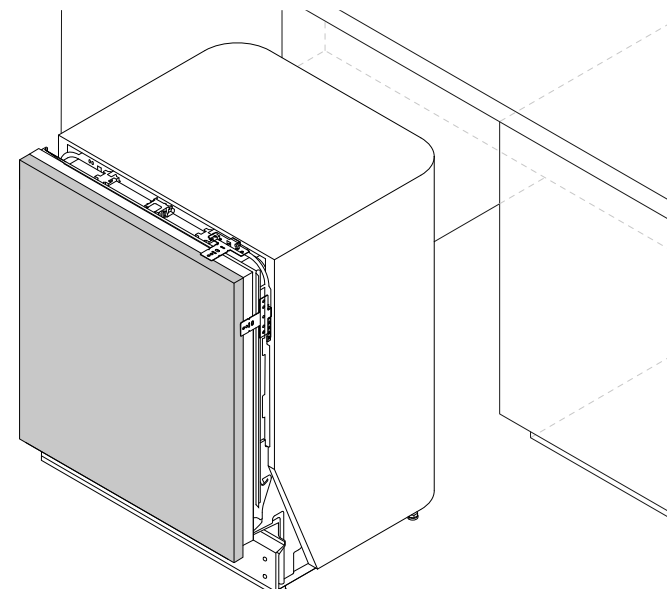
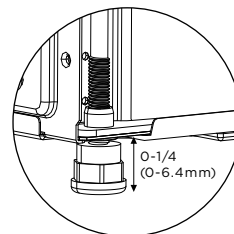
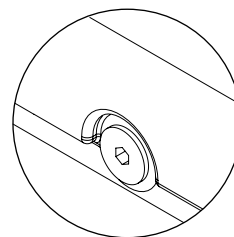
Ensure the appliance is leveled for proper dish rack, wash performance and door operation.

To verify dishwasher is leveled, open and close the door and pull the dish racks half way out. The door should fit in the tub opening without hitting the sides. If the racks roll on their own, or the door hits the side of tub, re-level.



#### 1 Remove toe kick and mounting plate

To access the rear leg adjustment pin, you will need to remove the four screws holding the toe kick and mounting plate. Set screws aside for re-installation.



#### 2 Adjust leg height

Adjust the rear foot via the back leg adjustment pin using an Allen Key. The front feet can be adjusted using an adjustable wrench.

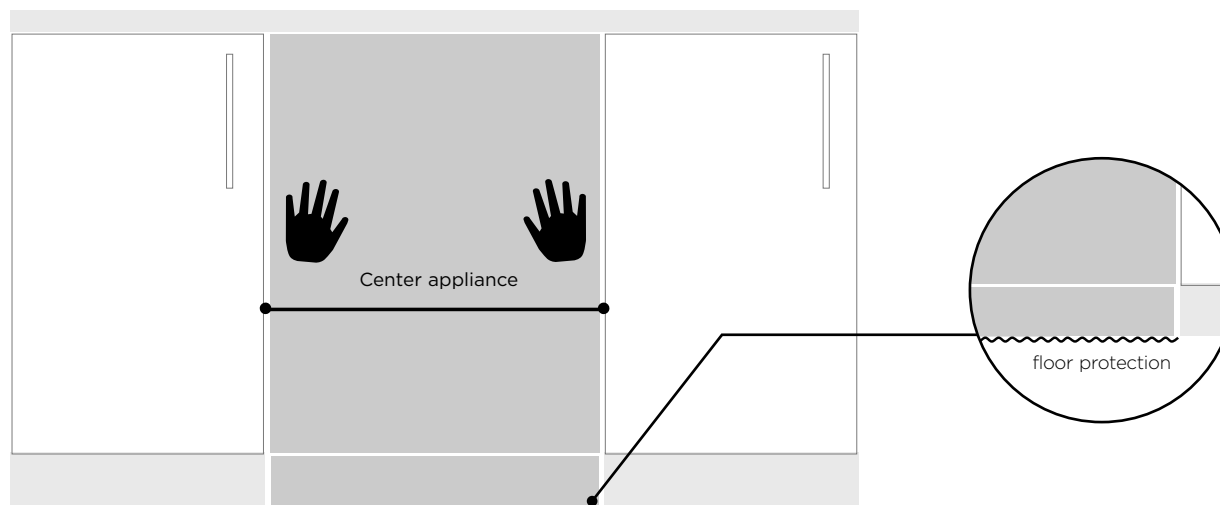
## 14 ALIGN APPLIANCE IN CABINETY

### IMPORTANT!

- Ensure top of door is aligned flush with surrounding cabinetry.
- Use floor protection before sliding the appliance into the cabinetry. Remove the protection once the appliance is positioned in the cabinetry.

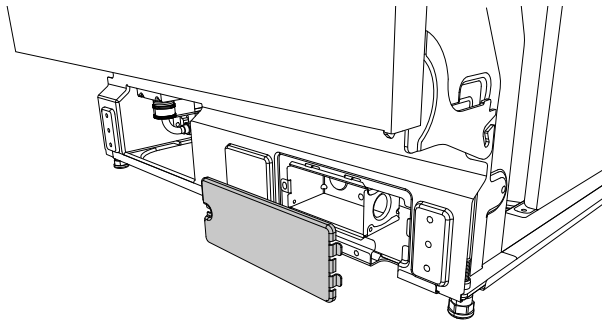
As you push the appliance in, pull through hoses and cord, ensure they don't get kinked or twisted.

Note: If using an infill bracket for cabinets with cavity height of 35.5" or above, refer to 'Attach infill bracket' (page 10) for more details.

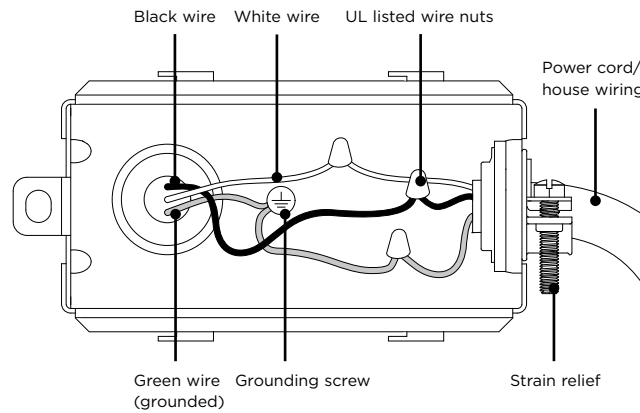


**IMPORTANT!**

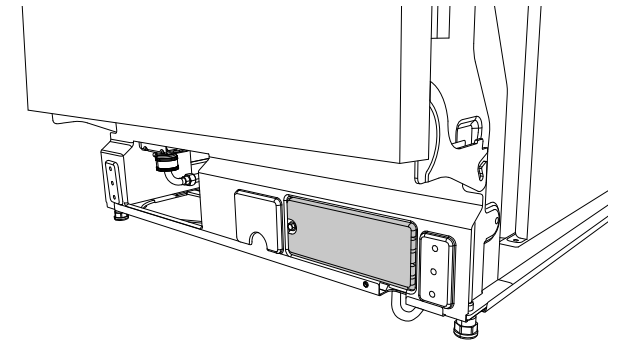
- Ensure the power cord and connections comply with the National Electrical Code, Section 422 and/or local codes and ordinances. Maximum power cord length is 6 feet. A Power Cord Kit is available for purchase from an authorized Fisher & Paykel appliances dealer.
- Check the house wiring. If it is not 2-wire with ground, a ground must be provided by the installer. If the house wiring is aluminum, use UL-Listed anti-oxidant compound and aluminum-to-copper connectors.



- ① **Remove the junction box cover**  
 Unclip and remove the junction box cover to access the appliance electronics. Do not remove the screw holding the junction box bracket in place.



- ② **Connect wires**  
 Install the strain relief into the junction box bracket, and secure the house wiring or the power cord and tighten. Thread the wires through the hole in the junction box bracket and connect the incoming ground to green, white to white and black to black.



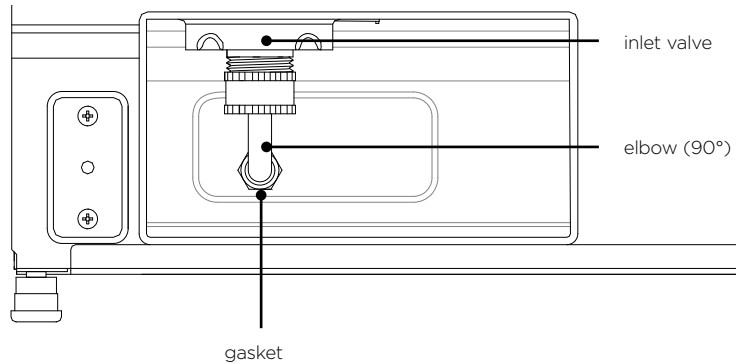
- ③ **Refit the junction box cover**  
 Refit the junction box cover ensuring no wires are pinched beneath the cover. Ensure the power cord is routed under the appliance.



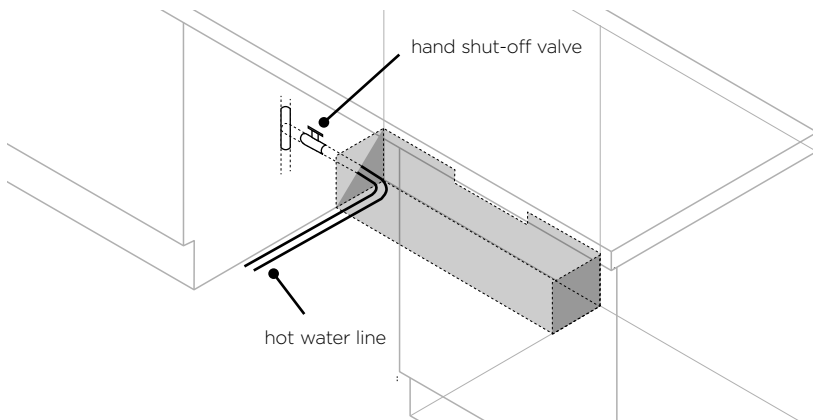
**IMPORTANT!**

Ensure to flush the water line into a bucket before connecting to the water inlet valve.

**Prepare water supply connection**

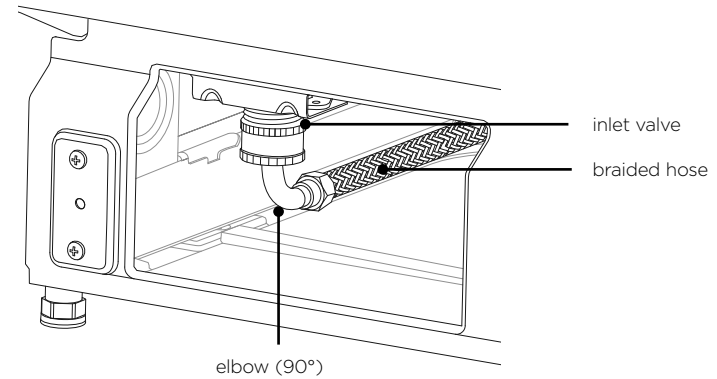


- ① Connect an elbow (90°) to the water inlet valve.
  - Ensure a rubber gasket is placed between the threads of the elbow and water supply valve. Do not overtighten the elbow.
  - Ensure the end of the elbow is pointing to the rear of the dishwasher.

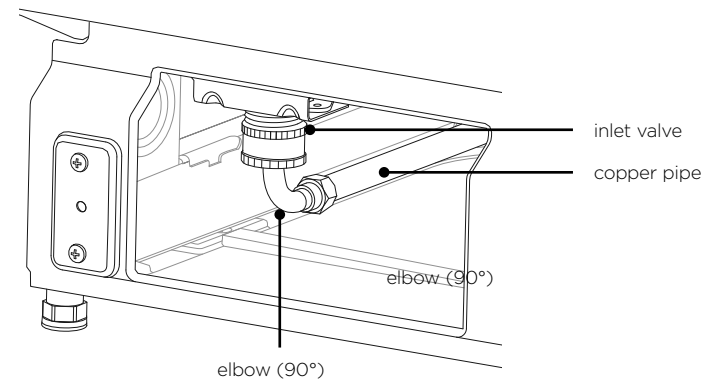


- ② Insert the hot water line (copper pipe or flexible braided hose) through the water supply hole from the side of the cabinetry. (Refer to 'Cavity preparation, page 9 for more details).
  - Be careful not to damage the water line while inserting through the hole.
- ③ Install a hand shut-off valve to the water line in a location that is easily accessible in the adjacent cabinetry (eg under the sink).

**Connect hot water line to inlet valve**

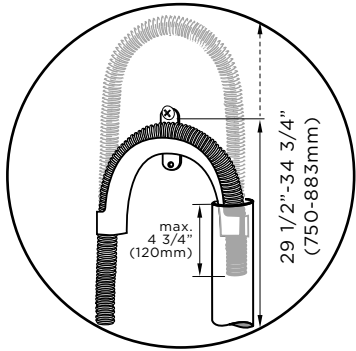


- ① **If using a flexible braided hose:**  
Screw the nut of the hose to the thread of the elbow. Tighten with an adjustable wrench.



- ② **If using a copper pipe:**  
Slide the compression nut and ferrule towards the end of the pipe. Insert the end of the pipe into the elbow and screw the compression nut to the thread of the elbow.

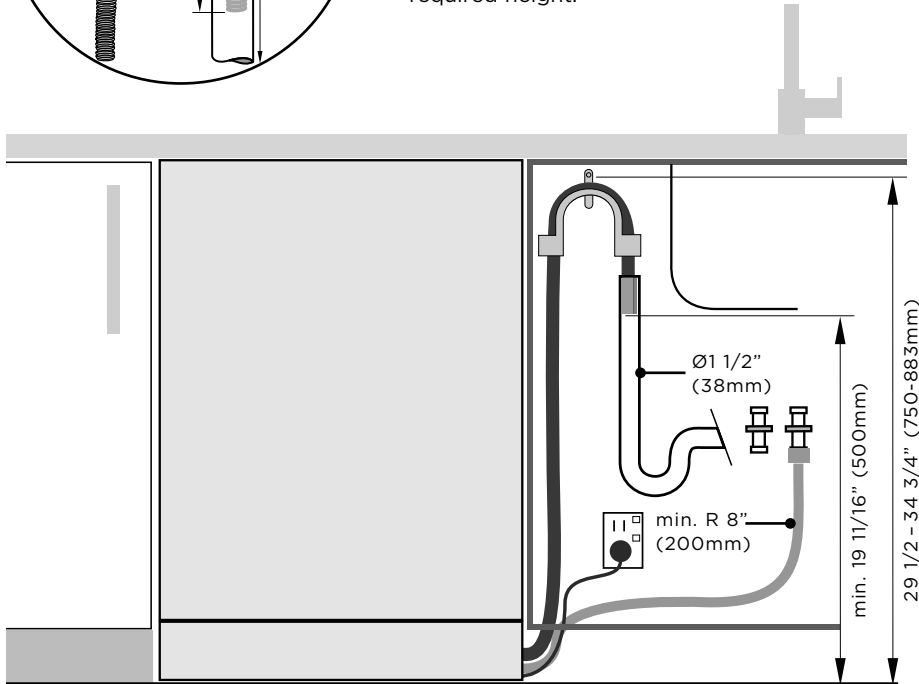
Dishwasher and Ø 38mm Standpipe



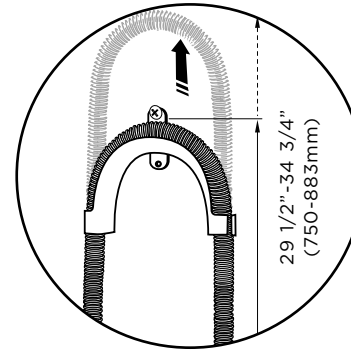
**IMPORTANT!**

Ensure that drain connection complies with local plumbing regulations.

Screw drain hose support to back wall at correct height. If space is limited for fixing, push hose through drain hose support to required height.



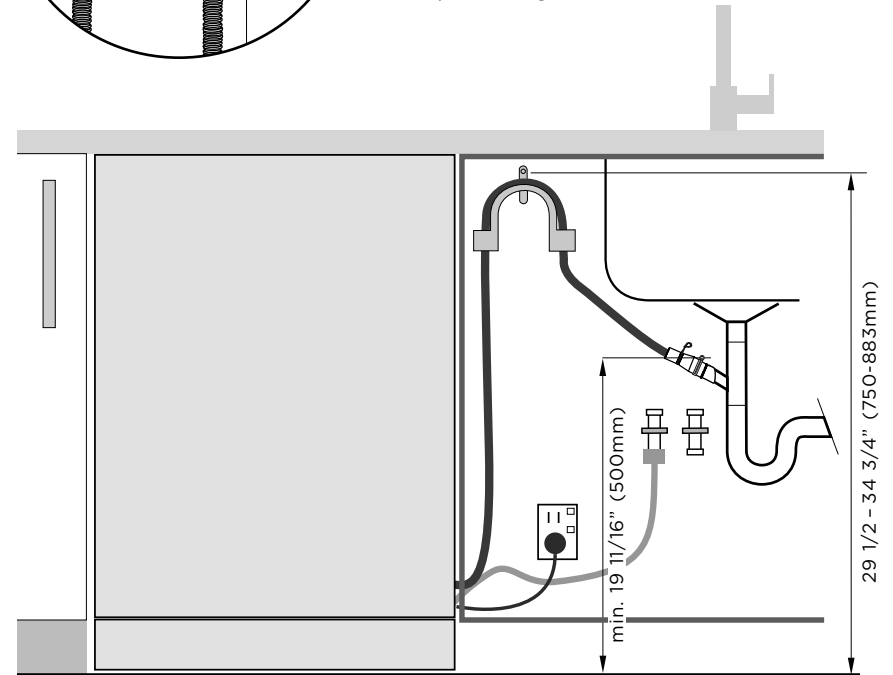
Dishwasher using drain hose joiner onto sink trap/waste tee



**IMPORTANT!**

Ensure that drain connection complies with local plumbing regulations.

Screw drain hose support to back wall at correct height. If space is limited for fixing, push hose through drain hose support to required height.



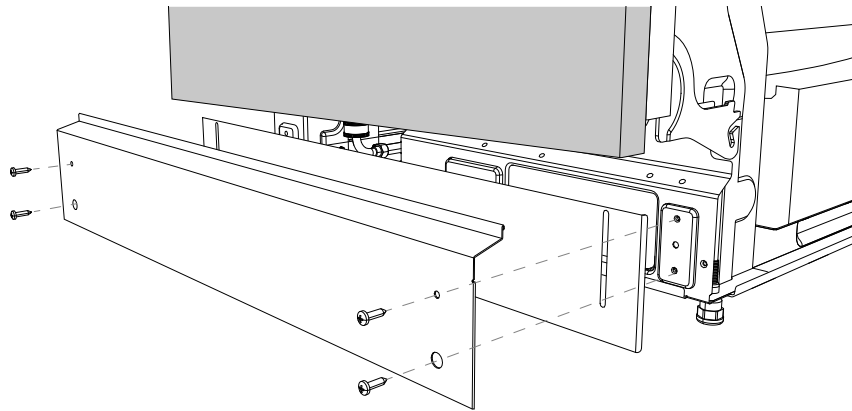
**IMPORTANT!**

Ensure that drain hose is installed as close to the underside of the benchtop as possible. This will ensure no waste re-enters the drain hose in the event of poor flow or a blockage in the plumbing.

Ensure the drain hose does not extend into water retained in the trap. An air gap is required to prevent waste water from siphoning back into the tub.

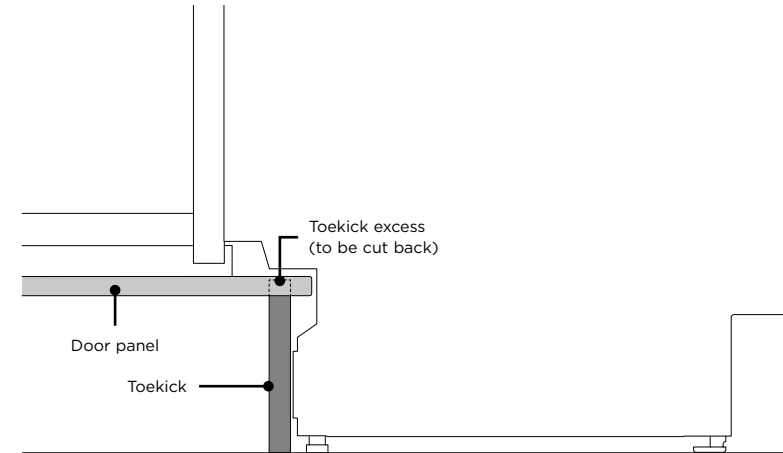
**IMPORTANT!**

Ensure toe kick does not protrude more than 3 9/16" (90mm) out from the dishwasher to ensure that the visibility of the floor light is not obstructed.



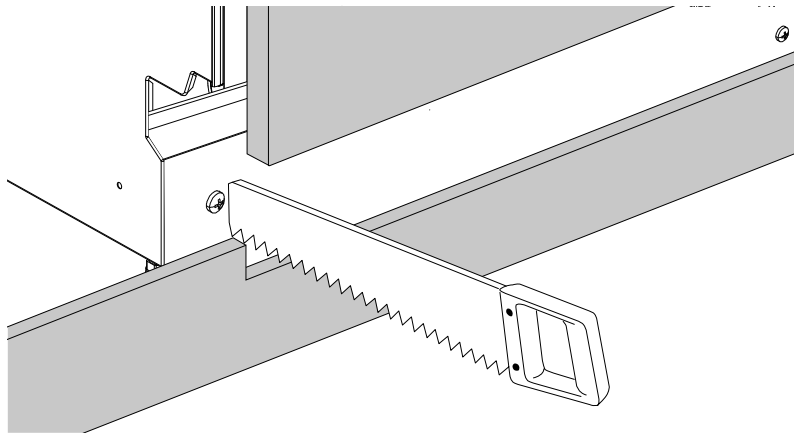
① **Refit toe kick mounting plate and panel.**

Refit the toe kick and mounting plate panels that were removed earlier. If desired, a custom continuous toe kick panel can be installed.



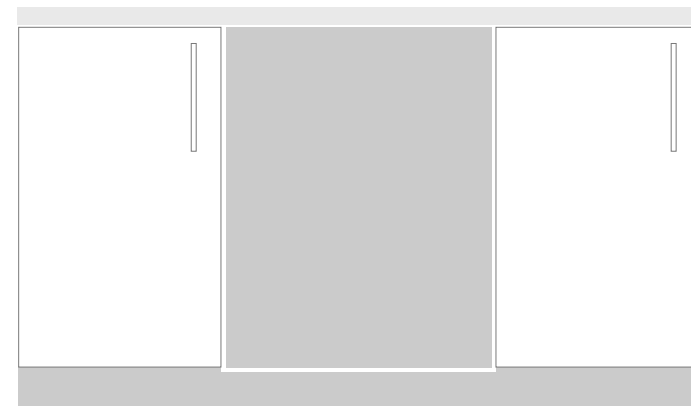
② **Check door overhang and swing range.**

Door overhang and swing range is relative to height and depth of toe kick panel. Cut back excess panel to ensure continuous, seamless integration.



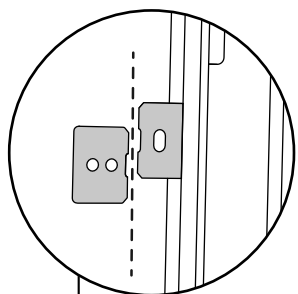
③ **Align and prepare continuous toe kick panel.**

Align the toe kick to desired position and mark out the point in which the toe kick meets the base of the door panel. Cut back excess.

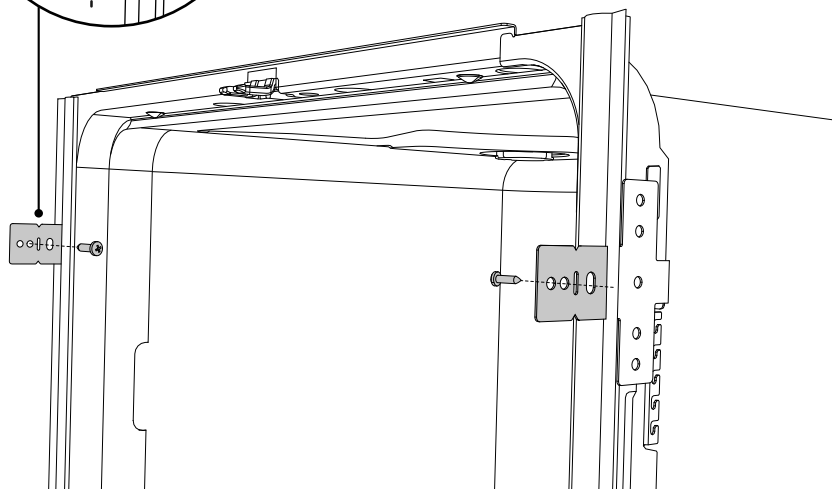


④ **Fit continuous toe kick panel to the surrounding cabinetry.**

**[A] FIX THE PRODUCT  
TO ADJACENT CABINETY**

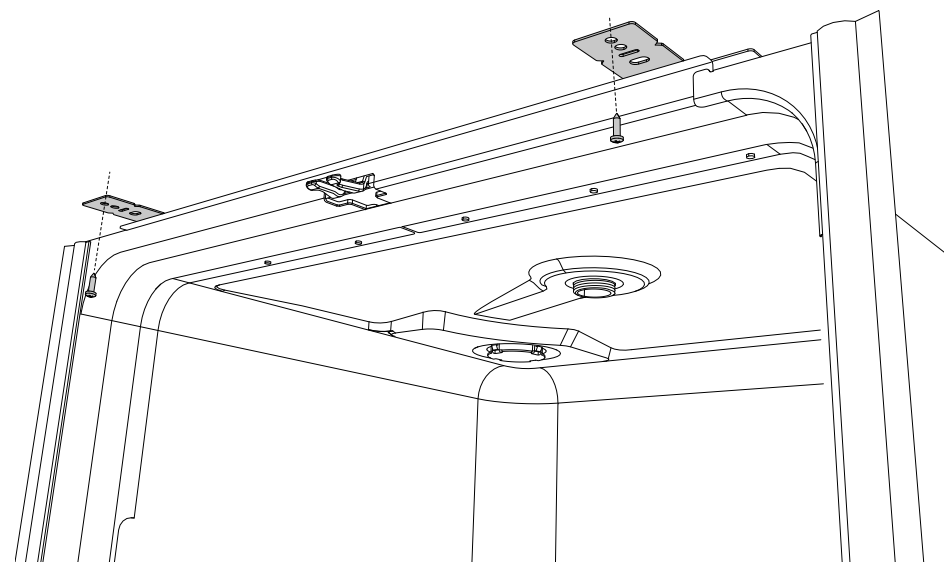


Note: Ensure the brackets are flushed with the cabinetry. Cut off any excess portion of the brackets.



Using two Ø4 x 25mm screws, secure the product to the adjacent cabinetry through the brackets located on each side of the product chassis.

**[B] FIX THE APPLIANCE  
TO BENCHTOP ABOVE**



Using two Ø4 x 25mm screws, secure the appliance to the benchtop above through the brackets located at the top of the appliance chassis.

**IMPORTANT!**

**This installation method is not applicable if an infill bracket has been installed. If the infill bracket is not used, we recommend to fix the appliance to the adjacent cabinetry or above the benchtop.**

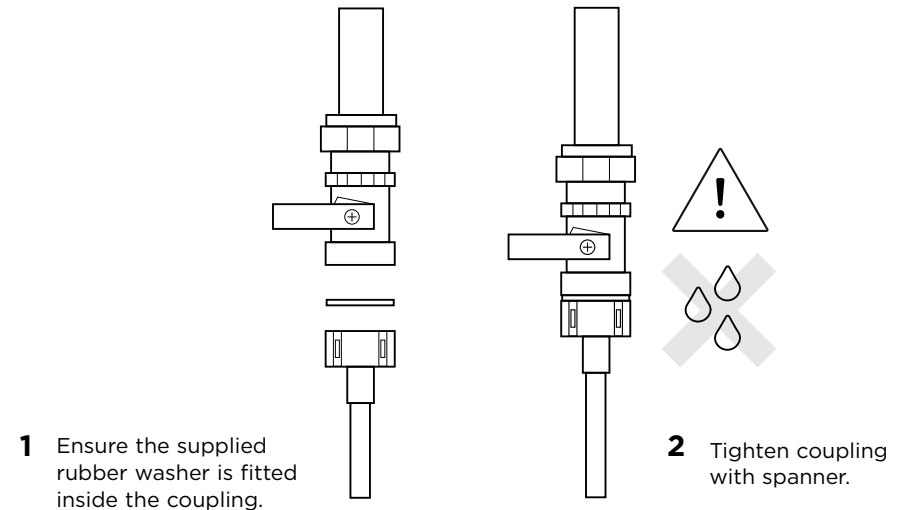
## 20 CONNECT INLET HOSE TO HOT WATER

### Plumbing—Water inlet connection

#### IMPORTANT!

- Ensure the appliance is connected to the water main using the supplied new water inlet hose. Do not use old hoses.
- Do not shorten the inlet hose.

- 1 Follow the water connection requirements.
  - We recommend a cold water connection for best performance and energy efficiency.
  - The incoming water temperature should not exceed 140°F.
- 2 Hot water pressure:
  - Take note of the permitted water pressure extremes.
  - Lowest: 5psi
  - Where pressure is 5psi, contact a qualified plumber.
  - Highest: 140psi
  - Install a pressure reduction valve if pressure is above 140psi. Contact a qualified plumber.
- 3 Connect the water inlet hose to an accessible water tap with a 3/4" BSP connector. Ensure that there is no kink in the inlet hose that could restrict the flow of water. A 90° bend requires a minimum height of 200mm for a kink-free curve.
  - Ensure incoming water is clear. If the water pipes have not been used for a long period of time, let the water run to make sure it is clear with no impurities. Not doing so may result in the water inlet hose getting blocked and damaging the appliance.
  - If required, use a filter insert to filter out deposits from the piping. The filter insert is available from your Fisher & Paykel trained and supported service technician or Customer Care.
- 4 Tighten the hose coupling a further half turn after seal contact.
- 5 Check that the connection does not leak.




## 21 CONNECT TO POWER

### Electrical connection


- Do not connect the dishwasher to the electrical supply while installation is on-going. Ensure all domestic wiring is properly earthed.
- Check the rating label (located on the left-hand side of the dishwasher's stainless steel inner door) and ensure that the voltage and frequency values for the current in the house correspond to those on the rating label.
- Insert the plug into a properly earthed power outlet that has a disconnection switch.

#### IMPORTANT!

- The earthing of the appliance is a safety requirement mandated by law.
- If the power cord is not long enough to reach the outlet or the outlet to which the appliance must be connected is not appropriate for the plug, the entire dishwasher power cord must be replaced. This should only be done by a Fisher & Paykel trained and supported service technician. Do not modify or cut the plug. Do not use an adaptor, extension cord, or multi-outlet power board to connect the dishwasher to the power supply, as these could cause overheating and create a fire hazard.
- The outlet into which the dishwasher is plugged must remain easily accessible (eg in an adjacent cabinet) even when the appliance is installed. This is to ensure that the dishwasher can be disconnected from the power supply for safe cleaning and maintenance.

**Excessive water remaining above the filter plate, after the rinse cycle (this can be displayed as  fault)**

- Check for a kinked drain hose, blocked waste connection, highloop not properly installed, drain hose not routed correctly or spray arms not in place.

**No water supply (this is displayed as  fault)**

- Check water is connected and turned on.

**The dishwasher is beeping continuously**

- There is a fault.
- See section 'How to attend to a fault' in the User Guide for further information.

**Water around water supply and drainage connections**

- Check connections, existing plumbing and hoses for leaks.
- Check rubber washer and hose clamp are correctly fitted.

**If appliance is tipping**

- The appliance is not secure under the benchtop.
- Ensure the appliance is level and placed between cabinetry.
- Adjust the feet so that the dishwasher sits securely under the benchtop.

**If front panel is misaligned**

- Check and re-level appliance.
- Check the cabinetry is square.
- Check and adjust the front panel alignment if necessary.

**Door doesn't close properly**

- Ensure nothing is obstructing the door from closing properly.
- Check that the customized panel is a suitable length to fully close and that there is enough clearance for the door, so that the door's movement is not obstructed by the floor or surrounding cabinetry.

If a problem occurs, see 'Troubleshooting' page of the User guide.

If after checking these points you still need assistance, refer to the Service & Warranty book for warranty details

and your nearest Fisher & Paykel trained and supported service technician, or contact us through our website [fisherpaykel.com](http://fisherpaykel.com).

✓ TO BE COMPLETED BY THE INSTALLER

- Check all parts are installed.
- Ensure that all panels and parts thereof are secure and final electrical tests have been conducted in accordance with local electrical regulations.
- Check that the dishwasher is level. If necessary, adjust the levelling feet slightly. To ensure optimum performance, the dishwasher should not be inclined more than 1°. Check with a spirit level.
- Ensure inlet hose to water supply has supplied rubber washer fitted, and that it's tightened a further half turn after seal contact.
- Ensure any knockouts or plugs in drain connection have been drilled out and drain connection has been made.
- The drain hose joiner must not support the weight of excess hose material. Keep drain hose as fully extended as possible to prevent sagging. Any excess length of drain hose should be kept on the dishwasher side of the highloop.
- If connecting the drain hose to the sink trap, ensure the Highloop is a minimum 5 15/16" (150mm) higher than the drain hose joiner.

- Ensure any packaging or tape securing the racks is removed from the dishwasher.
- Ensure appliance is level and opens and closes freely. The door must be free to fully close without being obstructed by adjoining cabinetry or the floor.
- Check that the door opens and closes freely without resistance to adjacent cabinetry.
- Check that the electrical outlet is accessible and located in an adjacent cupboard.
- Check the operation of the dishwasher:
  - ① Open door to turn dishwasher on.
  - ② Select the Rinse programme.
  - ③ Press > to start the Rinse programme. Can you hear the dishwasher filling?
  - ④ When the Rinse programme is over (approximately 20 minutes), check that the water has drained.
- If a fault code appears, see the 'Fault codes' section of the User guide for advice.
- Ensure that you leave the instruction guide with the customer.

Complete and keep for safe reference:

Model \_\_\_\_\_

Serial No. \_\_\_\_\_

Purchase Date \_\_\_\_\_

Purchaser \_\_\_\_\_

Dealer Address \_\_\_\_\_

Installer's Name \_\_\_\_\_

Installer's Signature \_\_\_\_\_

Installation Company \_\_\_\_\_

Installation Date \_\_\_\_\_

FISHERPAYKEL.COM

© Fisher & Paykel Appliances 2019. All rights reserved.

The appliance specifications in this document apply to the specific appliances and models described at the date of issue. Under our policy of continuous appliance improvement, these specifications may change at any time. You should therefore check with your Dealer to ensure this booklet correctly describes the appliance currently available.





# FISHER & PAYKEL

## LAVE-VAISSELLE

---

Modèles DW24U6I1 et DW24U2I1

GUIDE D'INSTALLATION

US CA

591955B 07.19



# TABLE DES MATIÈRES

	①	CONSIGNES DE SÉCURITÉ ET MISES EN GARDE	
	②	PIÈCES	
	③	OUTILS	
	④	DONNÉES TECHNIQUES	
	⑤	AVANT L'INSTALLATION	
	⑥	DIMENSIONS DE L'APPAREIL	
	⑦	DIMENSIONS DES ARMOIRES	
	⑧	PRÉPARATION DU RACCORDEMENT ÉLECTRIQUE ET DE LA PLOMBERIE	
	⑨	PRÉPARATION DE LA CAVITÉ	
	⑩	INSTALLATION DU SUPPORT DE REMPLISSAGE	
	⑪	PRÉPARATION DU PANNEAU DE PORTE SUR MESURE	
[A] PERCEZ LES AVANT-TRous À L'AIDE DU GABARIT FOURNI	OU		[B] MARQUEZ MANUELLEMENT ET PERCEZ LES AVANT-TRous
	⑫	FIXATION DU PANNEAU DE PORTE SUR MESURE	
	⑬	MISE DE NIVEAU DU LAVE-VAISSELLE	
	⑭	ALIGNEMENT DE L'APPAREIL DANS LES ARMOIRES	
	⑮	RACCORDEMENT ÉLECTRIQUE	
	⑯	PLOMBERIE À TUYAUX RIGIDES	
	⑰	OPTIONS DE PLOMBERIE ET D'ÉVACUATION	
	⑱	INSTALLATION DE LA PLINTHE	
	⑲	FIXATION DE L'APPAREIL	
[A] FIXATION DU PRODUIT AUX ARMOIRES ADJACENTES	OU		[B] FIXATION DE L'APPAREIL AU COMPTOIR AU-DESSUS
	⑳	RACCORDEMENT DU TUYAU D'ALIMENTATION À L'EAU CHAUDE	
	㉑	RACCORDEMENT À L'ALIMENTATION	
	㉒	DÉPANNAGE	
	㉓	LISTE DE VÉRIFICATION FINALE	

## IMPORTANT!

### CONSERVEZ CES INSTRUCTIONS

Les modèles illustrés dans ce guide d'installation peuvent ne pas être disponibles dans tous les pays et sont sujets à modifications sans préavis. Pour les plus récentes informations sur la disponibilité des modèles et des caractéristiques dans votre pays, visitez notre site [Web.fisherpaykel.com](http://Web.fisherpaykel.com) ou contactez votre détaillant Fisher & Paykel local.



**⚠ MISE EN GARDE!**



**Risque de choc électrique**

Avant d'installer le lave-vaisselle, retirez le fusible de la maison ou coupez le courant au disjoncteur.

Assurez-vous qu'un électricien ou un représentant de service qualifié ait vérifié que l'appareil est correctement mis à la terre.

Le raccordement inadéquat du conducteur de mise à la terre de cet appareil peut entraîner un risque de choc électrique.

Ne modifiez pas la fiche fournie avec l'appareil — si vous ne parvenez pas à l'insérer dans la prise murale, faites installer une prise adéquate par un électricien qualifié.

N'utilisez pas de rallonge, de fiche d'adaptation ou de boîtier à prises multiples.

Assurez-vous que le lave-vaisselle est complètement encastré au moment de l'installation pour réduire les risques de choc électrique, d'incendie ou de blessures.

Assurez-vous que le lave-vaisselle est déconnecté de l'alimentation électrique avant d'installer les panneaux avant.

Assurez-vous que les composants comme la pièce de fixation du panneau et tous les composants métalliques sur mesure (par ex. : poignée) qui dépassent du joint d'étanchéité en caoutchouc sont mis à la terre après l'installation des panneaux avant.

Le non-respect de ces consignes peut entraîner un choc électrique ou la mort.

**⚠ MISE EN GARDE!**



**Risque de coupure**

Attention — les bords du panneau sont tranchants.

Des blessures ou des coupures peuvent survenir si vous ne faites pas preuve de prudence.

## GUIDE DE CONSIGNES DE SÉCURITÉ IMPORTANTES

- Ce lave-vaisselle est conçu uniquement pour une utilisation à l'intérieur.
- Assurez-vous d'observer les consignes de sécurité et mises en garde pour éviter les risques de choc électrique, de blessures ou d'incendie.
- Assurez-vous de retirer tous les matériaux d'emballage fournis avec le lave-vaisselle.
- Ce lave-vaisselle est conçu pour un raccordement à l'alimentation en eau chaude.
- Le lave-vaisselle DOIT être installé de façon à permettre son retrait de l'emplacement d'installation lorsqu'une réparation est nécessaire.
- L'installation de ce lave-vaisselle nécessite des connaissances de base dans les domaines de la mécanique et l'électricité.
- L'installation doit être conforme aux règlements de construction et codes d'électricité et de plomberie locaux.
- Le plombier et l'électricien ont la responsabilité de s'assurer que chaque installation est conforme à tous les codes et règlements.
- La prise de courant commandée par interrupteur doit se trouver à l'extérieur de la cavité du lave-vaisselle afin d'être facilement accessible après l'installation. Lors de l'installation ou du retrait de l'appareil, veillez à ne pas endommager le cordon d'alimentation électrique et les tuyaux.
- Si le lave-vaisselle doit être déplacé d'un endroit à un autre, transportez-le à la verticale pour éviter les dommages causés par les déversements d'eau.
- Assurez-vous d'effectuer les raccordements en utilisant uniquement des tuyaux neufs (fournis avec le lave-vaisselle). Les anciens tuyaux ne doivent pas être réutilisés.
- Le fait de ne pas installer le lave-vaisselle correctement peut entraîner l'annulation de la garantie et de toute réclamation.
- L'installation des panneaux avant encastrés nécessite un accès aux zones de raccordement électrique. Ce travail doit être effectué et certifié par un technicien d'installation électrique qualifié.
- Assurez-vous que l'appareil n'est pas branché lors de l'installation de panneaux sur mesure.
- Le fait de ne pas installer les panneaux sur mesure correctement peut entraîner l'annulation de la garantie et de toute réclamation.
- Une fois l'installation du lave-vaisselle terminée, l'installateur doit remplir la liste de vérification finale.

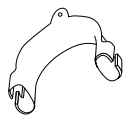
### MISE À LA TERRE

- Cet appareil doit être mis à la terre. En cas de bris ou de problème de fonctionnement, la mise à la terre réduit les risques d'électrocution en offrant un trajet de moindre résistance au courant électrique.
- Cet appareil est équipé d'un cordon d'alimentation muni d'un conducteur et d'une fiche avec mise à la terre. Cette fiche doit être branchée dans une prise correctement installée et mise à la terre en respectant tous les codes et règlements locaux.
- Si le lave-vaisselle est installé pour être branché en permanence :

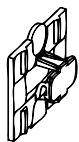
Cet appareil doit être relié à un système de câblage métallique permanent mis à la terre, ou un conducteur de mise à la terre d'équipement doit accompagner les conducteurs de circuit et être raccordé à la borne ou au fil de mise à la terre d'équipement sur l'appareil.

## 2 PIÈCES

### Pièces fournies



Support de tuyau d'évacuation  
(1)



Pièce d'insertion en plastique  
(1)



Ruban à l'épreuve de l'humidité pour les armoires  
(1)



Pièces de fixation pour comptoir en bois ou armoires sur les côtés  
(2)



Vis de Ø3,5 x 1/2 po (12 mm)  
(4)



Vis de Ø4 x 1 po (25 mm)  
(4)



Vis de Ø3,9 x 1 1/2 po (38 mm)  
(4)



Vis de Ø3,9 x 1/2 po (13 mm)  
(4)



Ruban à l'épreuve de l'humidité pour les armoires  
(1)



Guide d'utilisation Service et garantie  
(1)



Service et garantie  
(1)



Guide d'installation  
(1)



Gabarit de panneau de porte  
(1)

### Pièces requises



Capuchons de connexion homologués UL  
(3)



Ruban scellant pour filetage  
(1)



Coude à 90° de 3/4 po (19 mm)  
(1)

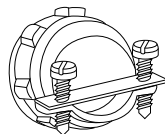
### Pièces pour nouvelle installation uniquement (disponible dans les quincailleries)



Coupure anti-retour pour tuyau d'évacuation (uniquement si l'utilisation est requise)



Té d'évacuation pour plomberie domestique (uniquement si l'utilisation est requise)



Serre-câble de 3/4 po (16 mm) pour Colliers de serrage à vis raccordement électrique



Tuyau d'alimentation en eau chaude avec bague d'extrémité et écrou à compression — tuyau en cuivre ou tuyau tressé flexible de min. 3/8 po (9,5 mm)



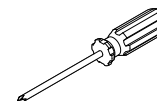
Câble électrique ou ensemble de cordon d'alimentation (5 pi 4 po de long) ou (7 pi 9 po de long) selon votre installation



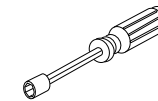
Robinet d'arrêt manuel (recommandé)  
(1)

## 3 OUTILS

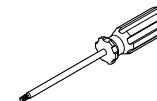
### Outils requis



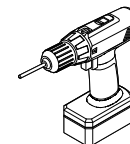
Tournevis à pointe étoilée



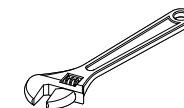
Tournevis à écrou de 1/4 po (6,35 mm) et 5/16 po (7,94 mm)



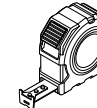
Tournevis dynamométrique T25



Perceuse électrique



Clé à molette de 6 po (152,4 mm)



Ruban à mesurer



Lunettes de sécurité



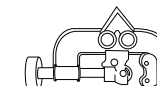
Lampe torche



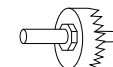
Gants



Seau — pour le rinçage du tuyau



Coupe-tuyau



Ensemble de scie-cloche



Niveau



Équerre



Clé hexagonale de 1/4 po (6 mm)

## ④ DONNÉES TECHNIQUES

### Données techniques

Vérifiez les données électriques sur l'étiquette signalétique (située dans la partie gauche de la porte intérieure en acier inoxydable du lave-vaisselle). Si les données de l'étiquette signalétique sont différentes des caractéristiques ci-dessous, considérez les données comme exactes.

	Modèles DW24U211	Modèles DW24U611
Capacité	12 couverts	14 couverts
Pression de conduites d'eau	0,03-1 MPa (= 0,3-10 bars)	0,03-1 MPa (= 0,3-10 bars)
Tension d'alimentation	120 V (60 Hz)	120 V (60 Hz)
Intensité de courant maximale	8,9 A	8,9 A
Puissance absorbée totale	1050 W	1050 W

### Protection contre les inondations

Ce lave-vaisselle comporte une protection contre les inondations qui interrompra la circulation d'eau en cas de fuite à l'intérieur de l'appareil.

## ⑤ AVANT L'INSTALLATION

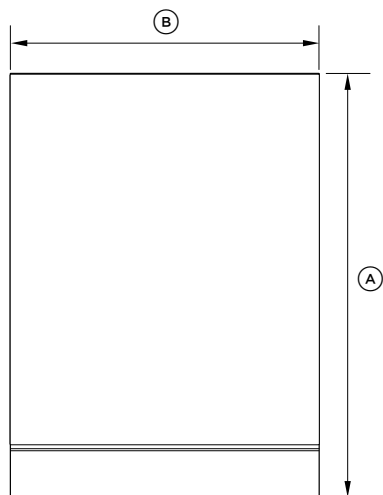
### Déballage et manutention

- Vérifiez que l'emballage et le lave-vaisselle n'ont pas été endommagés pendant le transport. N'installez pas le lave-vaisselle s'il est endommagé. Contactez le détaillant auprès duquel vous avez acheté le lave-vaisselle.
- Nous vous recommandons de recycler certains matériaux d'emballage. Vérifiez les symboles et étiquettes pour savoir si le recyclage est possible.
- Faites toujours attention aux tuyaux et au cordon d'alimentation à l'arrière du lave-vaisselle. Pour éviter tout dommage et problème de fonctionnement, assurez-vous de ne pas les entortiller, les écraser ou les perforer.

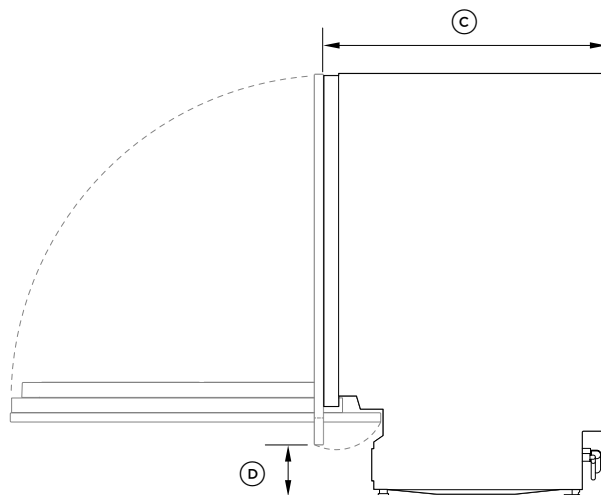
### Connexions et raccordements

- N'utilisez pas de rallonges ni de boîtiers à prises multiples pour raccorder le lave-vaisselle à l'alimentation électrique.
- Ne raccordez pas le lave-vaisselle à un système d'alimentation en eau dans un endroit où la température est supérieure à 140 °F (60 °C) ou s'il n'y a aucune commande de température (par ex. : système à fond humide), à moins que le système soit muni d'un dispositif de régulation adéquat.
- Ne raccordez pas le lave-vaisselle à un système d'alimentation en eau chaude de type « circulation forcée » haute pression, car cela pourrait endommager le système.

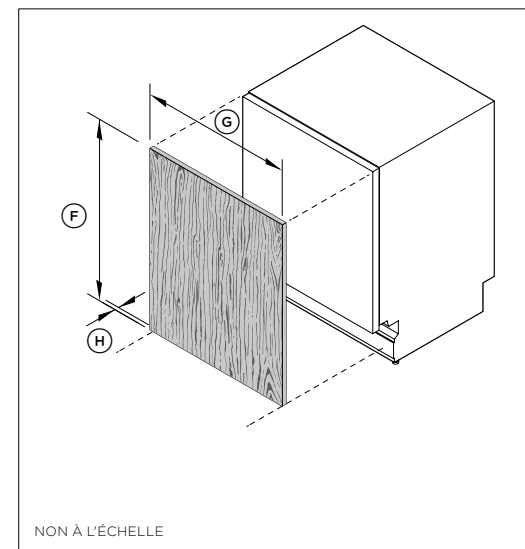
## ⑥ DIMENSIONS DE L'APPAREIL



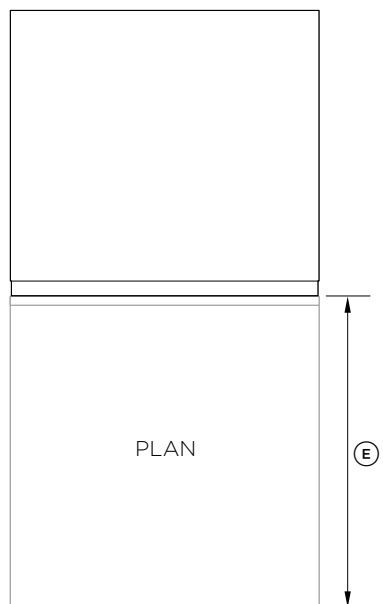
AVANT



PROFIL



NON À L'ÉCHELLE



PLAN

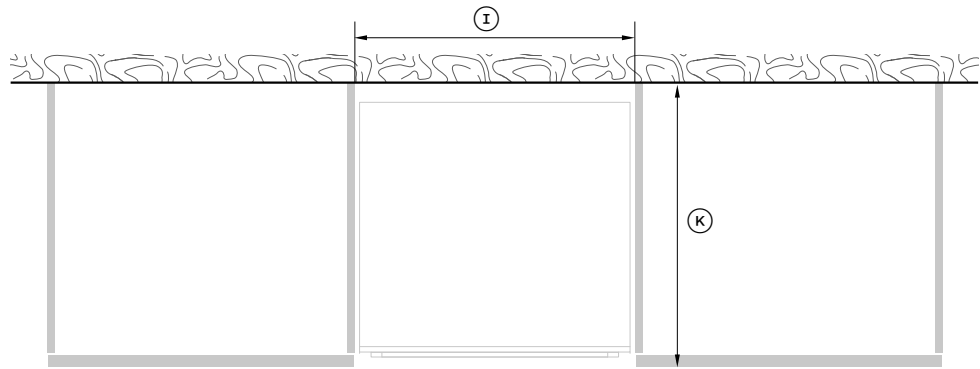
### Modèles DW24U611/DW24U211

DIMENSIONS DE L'APPAREIL		po	mm
(A)	Hauteur hors tout de l'appareil*	32 1/4 - 34 5/8	820 - 880
(B)	Largeur hors tout de l'appareil (excluant les joints latéraux)	23 3/4	603
(C)	Profondeur hors tout de l'appareil (excluant le panneau sur mesure et la poignée)	21 3/4	552
(D)	Hauteur entre le plancher et le bas du panneau sur mesure	4 - 8	100 - 212
(E)	Profondeur de la porte ouverte (mesurée à partir du devant du châssis) (excluant le panneau sur mesure)	23 7/8	606
* selon l'ajustement des pattes de nivellement			
DIMENSIONS DE PANNEAU SUR MESURE		po	mm
(F)	Hauteur du panneau de porte sur mesure*	26 3/16 - 30	665 - 717
(G)	Largeur du panneau de porte sur mesure*	23 7/16 - 23 13/16	596 - 605
(H)	Profondeur du panneau de porte sur mesure*	5/8 - 3/4	16 - 19
POIDS DU PANNEAU SUR MESURE		lb	kg
Poids total du panneau de porte sur mesure		8,9 - 17,6	4 - 8

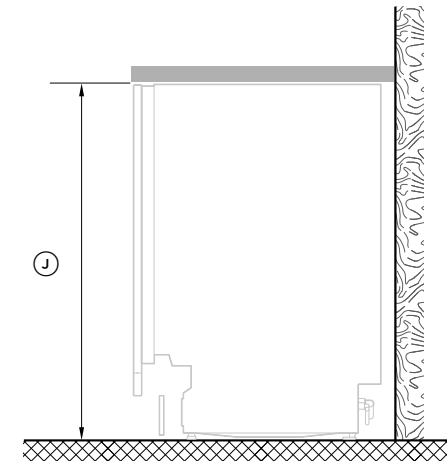
\* selon les dimensions des armoires



## ⑦ DIMENSIONS DES ARMOIRES



PLAN



PROFIL

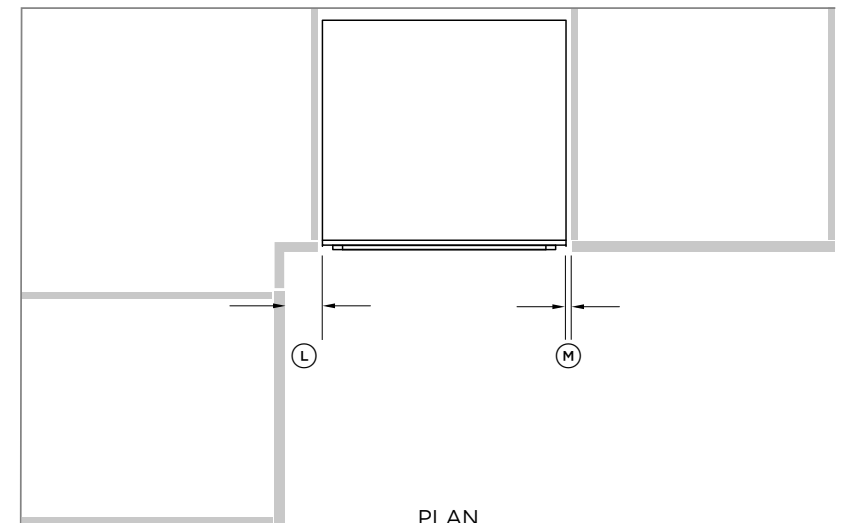
### Modèles DW24U6I1/DW24U2I1

DIMENSIONS DES ARMOIRES		po	mm
Ⓘ	Largeur intérieure de la cavité	24	610
Ⓙ	Hauteur intérieure de la cavité*	32 1/4 - 34 5/8	820 - 880
Ⓚ	Profondeur intérieure de la cavité	min. 22 5/8	min. 574

\* selon l'ajustement des pattes de nivellement

### Modèles DW24U6I1/DW24U2I1

DIMENSIONS DE DÉGAGEMENT		po	mm
Ⓛ	Pour une armoire de coin	1/2	13
Ⓜ	Pour une porte d'armoire adjacente	min. 1/16	2

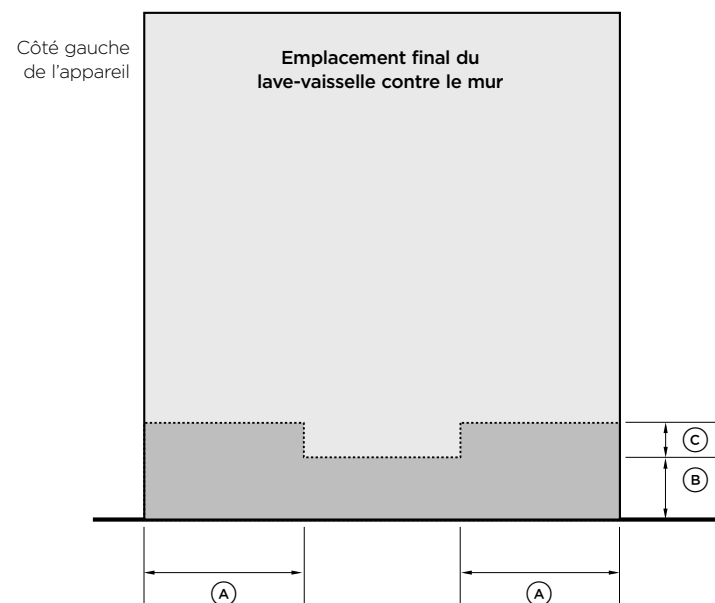


PLAN

## Sélectionnez l'option de plomberie

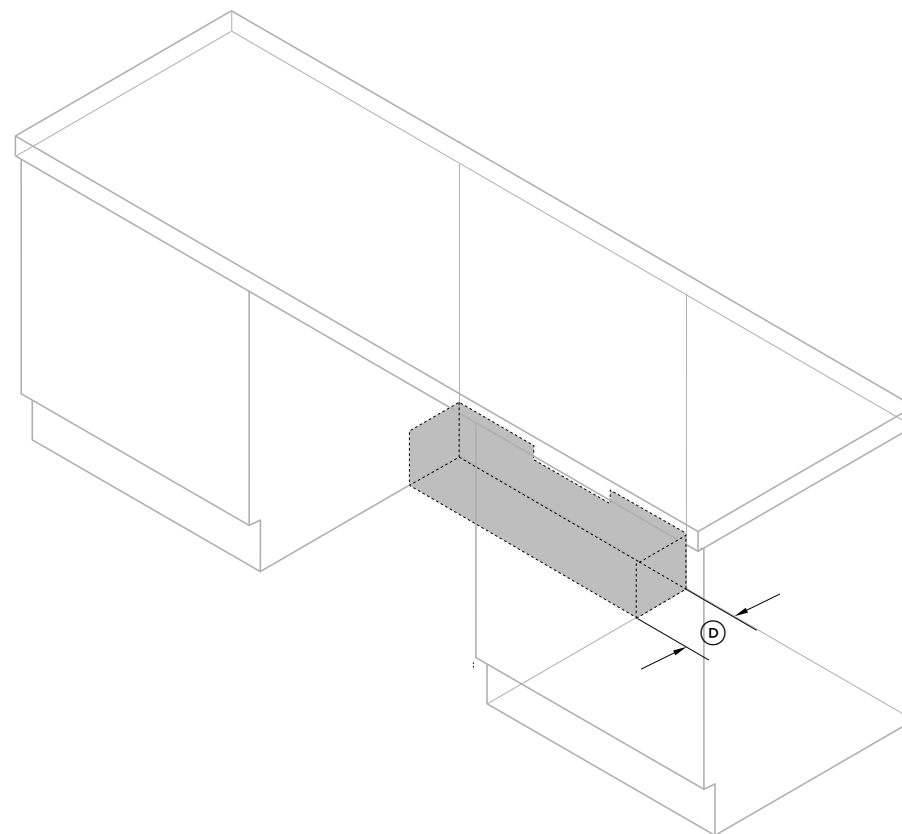
- Raccordement de tuyau
- Raccordement de tuyau en cuivre

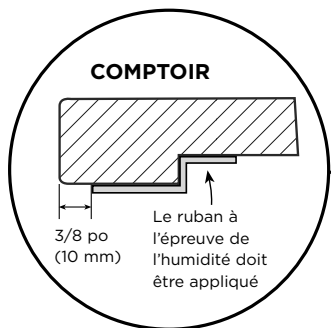
Reportez-vous à 'Options de plomberie et d'évacuation' (page 16) pour plus d'informations.



Dimensions des zones d'alimentation

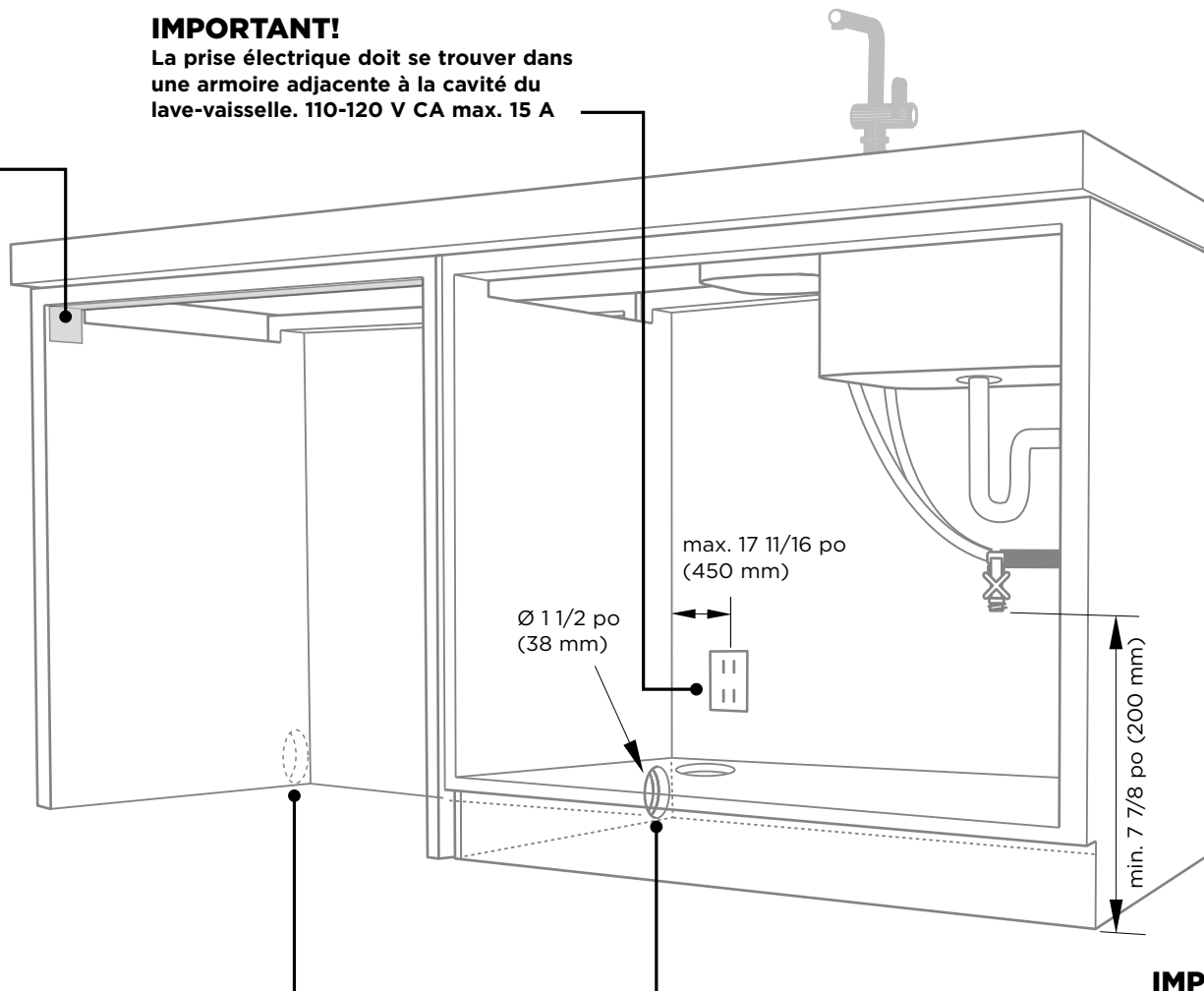
SECTION	po	mm
(A)	5	127
(B)	4	102
(C)	2	51
(D)	3	76





**IMPORTANT!**

La prise électrique doit se trouver dans une armoire adjacente à la cavité du lave-vaisselle. 110-120 V CA max. 15 A



**Raccordement de l'alimentation en eau**

Eau **CHAUDE** recommandée (Maximum 140 °F/60 °C).

Tuyau fourni pour le raccord à compression mâle de 3/8 po (9 mm).

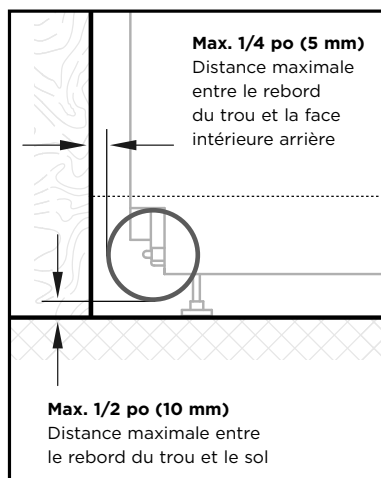
**Pression d'eau**

**Modèles avec adoucisseur d'eau**  
Max. 1 MPa (145 psi)  
Min. 0,1 MPa (14,5 psi)

**Modèles sans adoucisseur d'eau**  
Max. 1 MPa (145 psi)  
Min. 0,03 MPa (4,3 psi)

**MISE EN GARDE!**

Le positionnement incorrect du trou entraînera des dommages aux tuyaux.



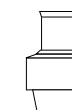
**Trous pour raccords**

Vous pouvez les placer d'un côté ou de l'autre du lave-vaisselle, près de la face arrière et du sol, comme illustré, pour accéder aux raccords d'alimentation en eau et d'évacuation.

- Si le trou est pratiqué dans un panneau de bois, assurez-vous d'en arrondir les rebords.
- Si le trou est pratiqué dans un panneau métallique, assurez-vous d'apposer le protecteur de rebord fourni pour éviter d'endommager le cordon d'alimentation.

**IMPORTANT**

Lors du raccordement de la conduite d'évacuation à un broyeur à déchets, assurez-vous de retirer le bouchon de vidange. Le lave-vaisselle ne pourra pas évacuer l'eau si le bouchon est laissé en place.

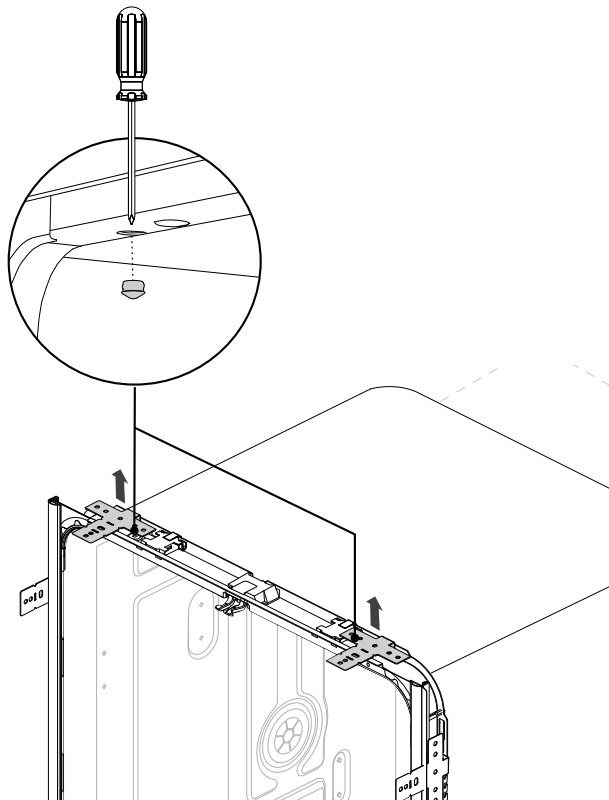
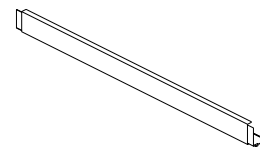


Retirez le bouchon de vidange

## 10 INSTALLATION DU SUPPORT DE REMPLISSAGE

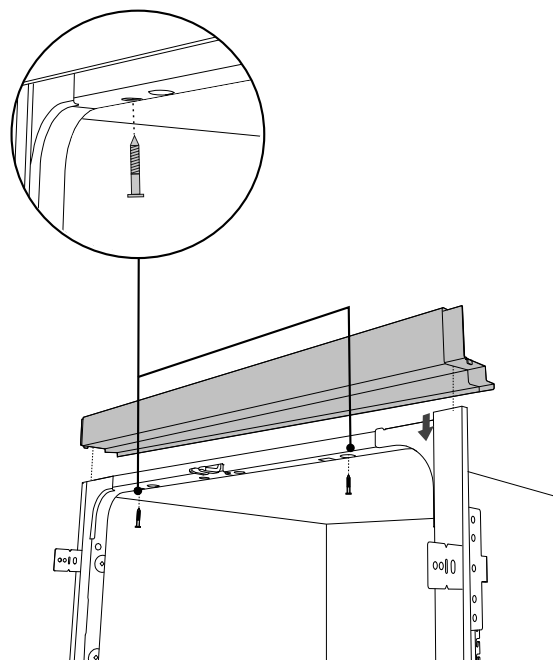
### IMPORTANT!

- Le support de remplissage est un élément esthétique permettant de dissimuler l'espace visible entre les armoires lorsque la hauteur de la cavité est de 35,5 po ou supérieure.
- L'installation du support de remplissage n'est pas requise pour les armoires conformes à la norme ADA.



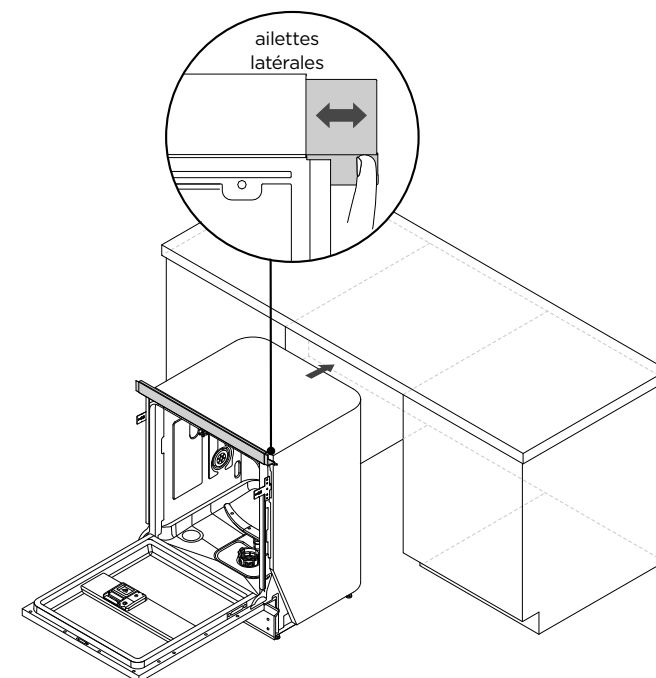
### ① Retirez la pièce de fixation supérieure et les bouchons en plastique

- Ouvrez la porte.
- Dévissez la pièce de fixation supérieure sur le dessus de l'appareil.
- Pour retirer le bouchon en plastique, poussez un petit tournevis vers le bas dans le trou de vis, depuis le dessus de l'appareil.



### ② Installez le support de remplissage

- Retirez les deux vis préinstallées du support de remplissage.
- Utilisez les mêmes vis pour fixer le support sur le dessus de l'appareil. Ne serrez pas complètement.



### ③ Alignez et ajustez l'appareil dans les armoires

- Poussez l'appareil dans les armoires. Assurez-vous que le support de remplissage ne heurte pas la partie supérieure des armoires lorsque vous poussez l'appareil. (Reportez-vous à 'Alignement de l'appareil dans les armoires' pour plus de détails.)
- Glissez les ailettes latérales du support vers l'extérieur pour dissimuler l'espace visible.
- Serrez les deux vis à la main.

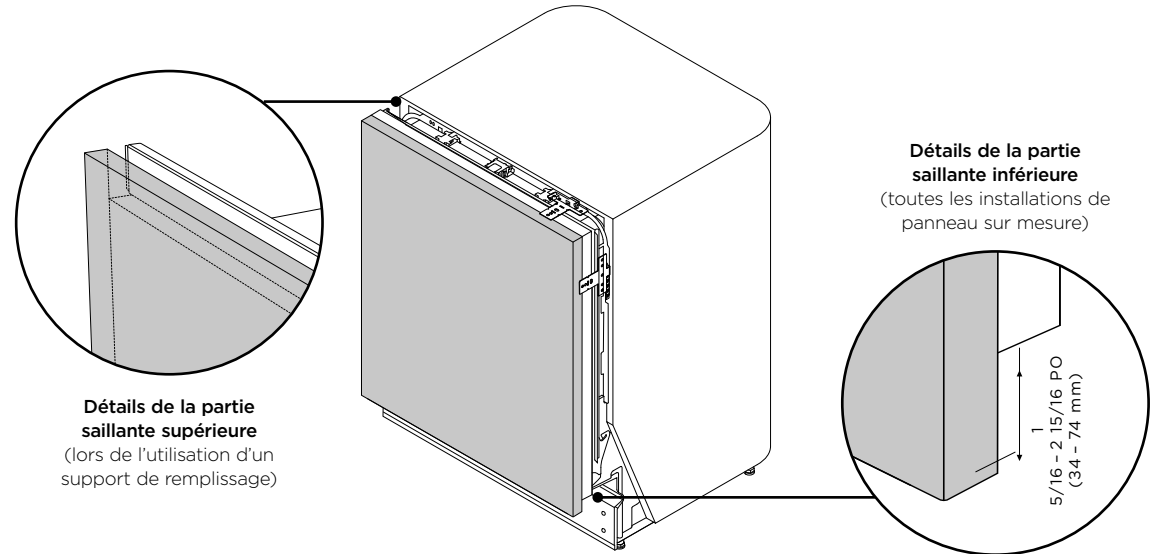
# 11 PRÉPARATION DU PANNEAU DE PORTE SUR MESURE

## IMPORTANT!

- Assurez-vous que le panneau de porte sur mesure possède les caractéristiques adéquates pour l'installation à l'avant du lave-vaisselle.
- Assurez-vous que l'arrière et les côtés du panneau soient entièrement scellés à l'aide d'un pare-vapeur imperméable (par ex. : en polyuréthane). Le pare-vapeur permet au panneau de résister à l'humidité (122 °F (50 °C) avec 80 % d'HR) et d'éviter les dommages dans les environnements chauds et humides.

### Mesurez le panneau et la partie saillante

Mesurez le panneau sur mesure et vérifiez la longueur de la partie saillante depuis la base de la porte.



## [A] PERCEZ LES AVANT-TROUS À L'AIDE DU GABARIT FOURNI

En utilisant le gabarit de panneau de porte fourni, marquez et percez les avant-trous requis dans votre panneau sur mesure. Assurez-vous que les avant-trous mesurent 1/16 po (2 mm) de large et 1/2 po (12 mm) de profondeur.



## [B] MARQUEZ MANUELLEMENT ET PERCEZ LES AVANT-TROUS

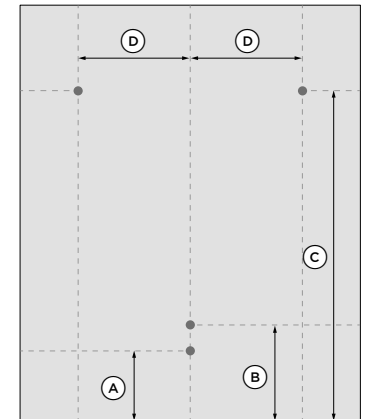
Si le gabarit n'est pas disponible, marquez manuellement les avant-trous sur votre panneau sur mesure en vous reportant aux mesures indiquées dans le tableau ci-dessous. Assurez-vous que les avant-trous mesurent 1/16 po (2 mm) de large et 1/2 po (12 mm) de profondeur.

Si la partie saillante mesure entre 1 5/16 po (34 mm) et 2 1/8 po (54 mm) :

MESURES DE PANNEAU A	po (mm)
(A) De la base du panneau au trou de support inférieur	4 1/16 (103)
(B) De la base du panneau au trou de support supérieur	4 7/8 (124)
(C) De la base du panneau aux trous de poignée	18 9/16 (472)
(D) De la ligne centrale aux trous de poignée	9 1/4 (235)

Si la partie saillante mesure entre 2 1/8 po (54 mm) et 2 15/16 po (74 mm) :

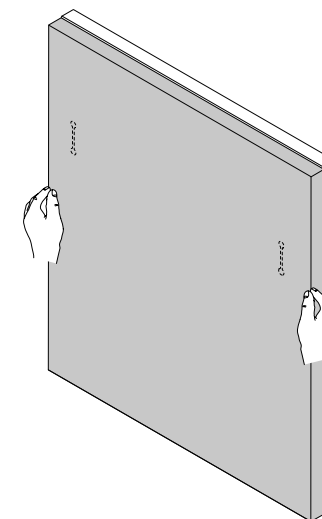
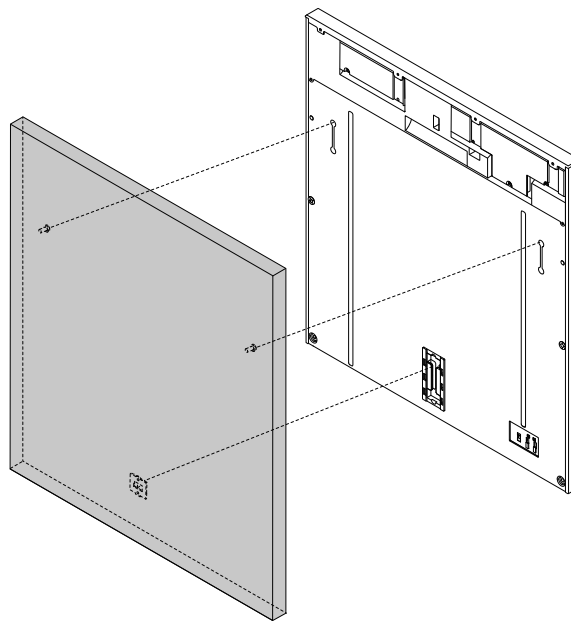
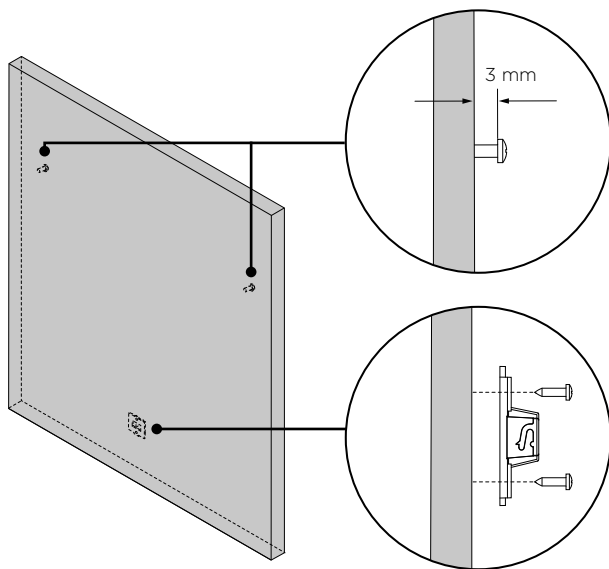
MESURES DE PANNEAU B	po (mm)
(A) De la base du panneau au trou de support inférieur	4 13/16 (123)
(B) De la base du panneau au trou de support supérieur	5 11/16 (144)
(C) De la base du panneau aux trous de poignée	19 3/8 (492)
(D) De la ligne centrale aux trous de poignée	9 1/4 (235)



Remarque : les mesures sont effectuées au centre des trous

## 12 FIXATION DU PANNEAU DE PORTE SUR MESURE

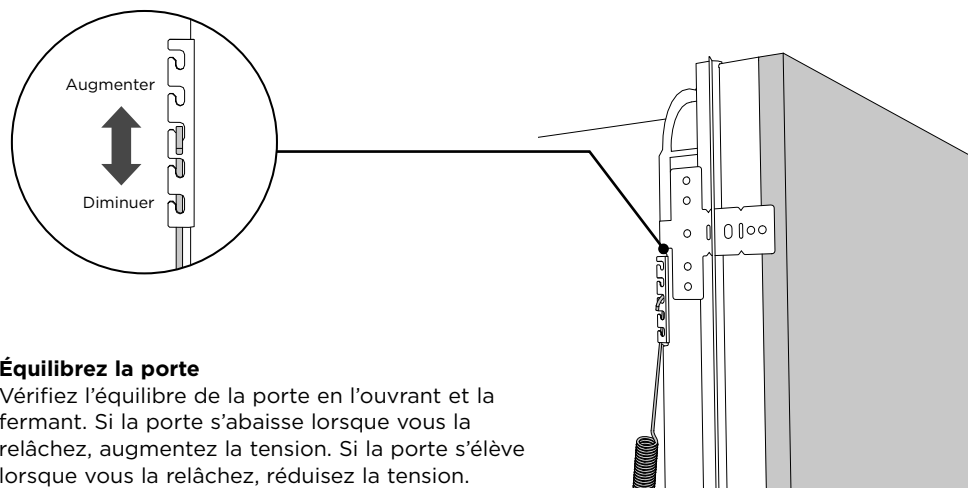
Détails de la vis supérieure  
(entre le panneau et la tête de vis)



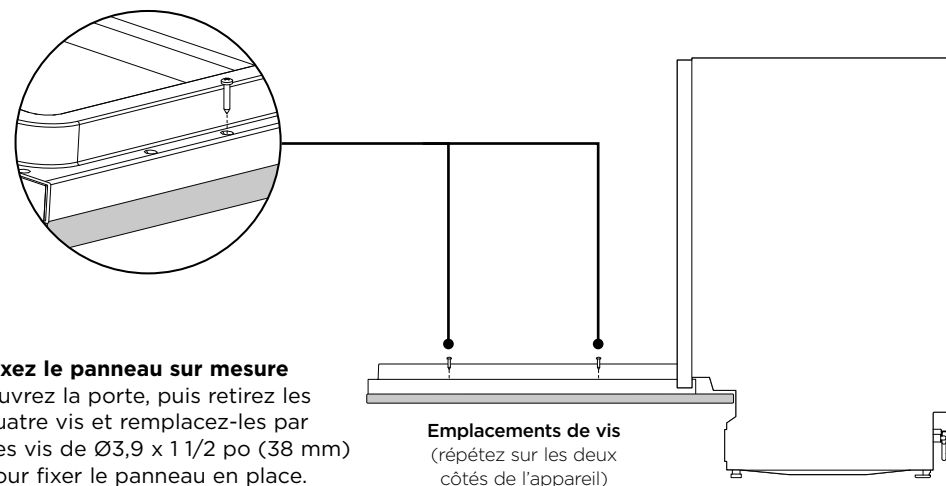
- ① **Fixez le support avec pièce d'insertion et les vis sur le panneau sur mesure**  
Insérez des vis de Ø3,9 x 1/2 po (13 mm) dans les deux avant-trous du haut. Fixez le support avec pièce d'insertion au panneau à l'aide des avant-trous du bas.

- ② **Suspendez le panneau sur mesure sur la porte**  
Fermez la porte du lave-vaisselle et alignez les vis et le support du panneau sur mesure avec le devant de la porte du lave-vaisselle.

- ③ **Ajustez le positionnement du panneau sur mesure**  
Glissez le panneau sur mesure vers le haut ou le bas pour l'ajuster à la position souhaitée.



- ④ **Équilibrez la porte**  
Vérifiez l'équilibre de la porte en l'ouvrant et la fermant. Si la porte s'abaisse lorsque vous la relâchez, augmentez la tension. Si la porte s'élève lorsque vous la relâchez, réduisez la tension.



- ⑤ **Fixez le panneau sur mesure**  
Ouvrez la porte, puis retirez les quatre vis et remplacez-les par des vis de Ø3,9 x 1 1/2 po (38 mm) pour fixer le panneau en place.

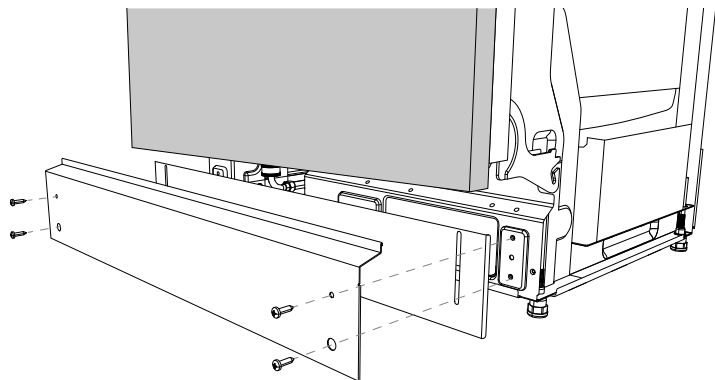
Emplacements de vis  
(répétez sur les deux côtés de l'appareil)

## 13 MISE DE NIVEAU DU LAVE-VAISSELLE

### IMPORTANT

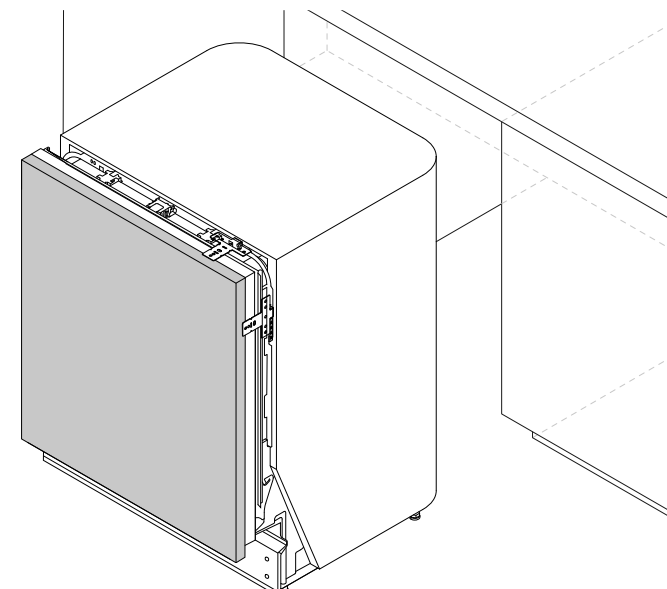
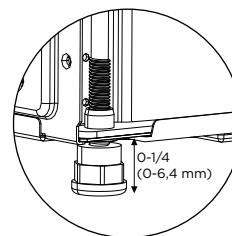
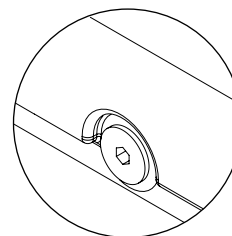
Veillez à ce que l'appareil soit de niveau pour assurer l'utilisation adéquate des grilles à vaisselle, l'efficacité optimale du lavage et le fonctionnement convenable de la porte.

Pour vérifier si le lave-vaisselle est de niveau, ouvrez et fermez la porte et sortez les grilles à vaisselle jusqu'à la moitié. La porte doit s'insérer dans l'ouverture de la cuve sans heurter les côtés. Si les grilles roulent d'elles-mêmes ou si la porte heurte le côté de la cuve, remettez l'appareil de niveau.



#### ① Retirez la plinthe et la plaque de fixation

Pour accéder à la tige d'ajustement de la patte arrière, vous devez retirer les quatre vis servant à maintenir la plinthe et la plaque de fixation. Mettez les vis de côté pour les réinstaller ultérieurement.



#### ② Ajustez la hauteur de la patte

Ajustez la patte arrière à l'aide de sa tige d'ajustement, en utilisant une clé hexagonale. Les pattes avant peuvent être ajustées en utilisant une clé à molette.

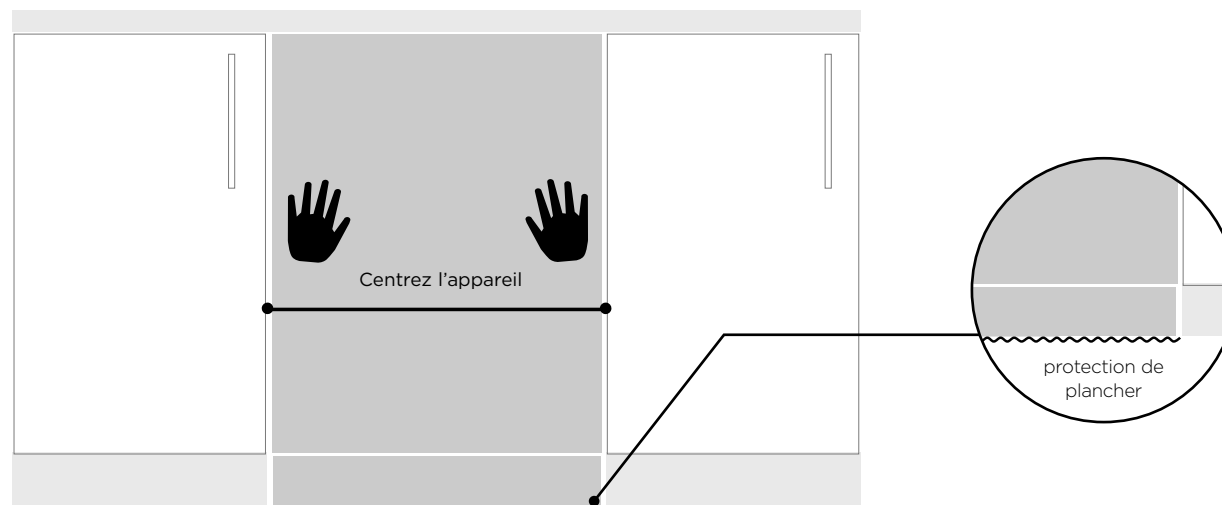
## 14 ALIGNEMENT DE L'APPAREIL DANS LES ARMOIRES

### IMPORTANT!

- Assurez-vous que la porte soit alignée au même niveau que les armoires à proximité.
- Placez un matériau de protection sur le plancher avant de glisser l'appareil dans les armoires. Retirez le matériau de protection une fois l'appareil positionné dans les armoires.

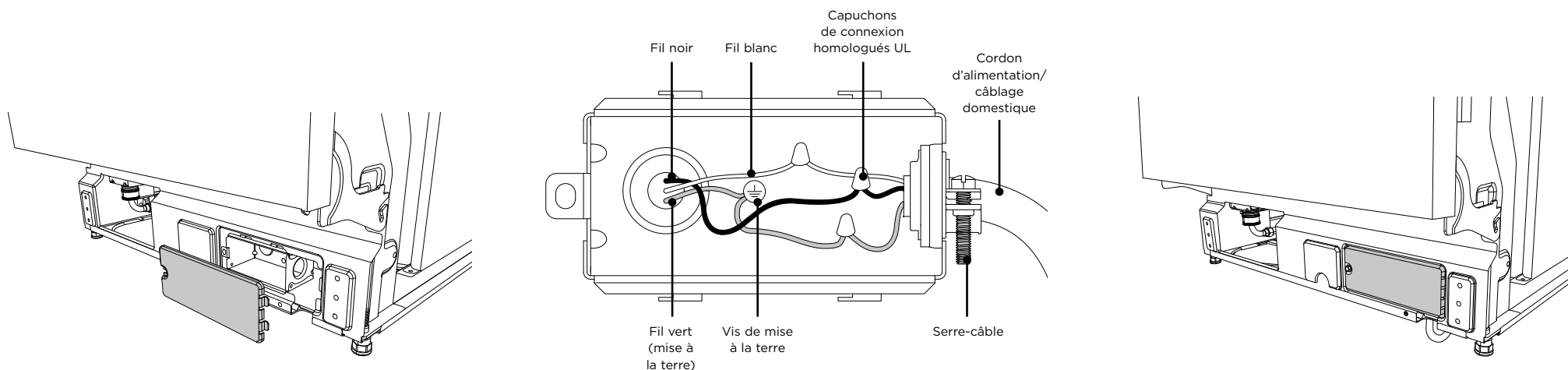
Pendant que vous poussez l'appareil, faites passer les tuyaux et le cordon d'alimentation en vous assurant de ne pas les entortiller ou les plier.

Remarque : Lors de l'utilisation d'un support de remplissage avec des armoires dont la hauteur de cavité est de 35,5 po ou supérieure, reportez-vous à 'Installation du support de remplissage' (page 10) pour plus de détails.



**IMPORTANT!**

- Assurez-vous que le cordon d'alimentation et les raccordements soient conformes au Code national de l'électricité, Section 422 et/ou aux codes et règlements locaux en vigueur. La longueur maximale du cordon d'alimentation est de 6 pieds. Il est possible de se procurer un ensemble de cordon d'alimentation auprès d'un détaillant Fisher & Paykel Appliances autorisé.
- Vérifiez le câblage domestique. Si le câblage ne comporte pas 2 fils avec une mise à la terre, l'installateur doit installer une mise à la terre. Si le câblage domestique est en aluminium, utilisez une pâte antioxydante homologuée UL et des capuchons de connexion aluminium à cuivre.



① **Retirez le couvercle de la boîte de jonction**

Dégrafez et retirez le couvercle de la boîte de jonction pour accéder aux câblages électroniques de l'appareil. Ne retirez pas la vis servant à maintenir en place le support de la boîte de jonction.

② **Connectez les fils**

Installez le serre-câble dans le support de la boîte de jonction, puis fixez le câblage domestique ou le cordon d'alimentation et serrez. Faites passer les fils dans l'ouverture du support de la boîte de jonction et connectez les fils : la mise à la terre au vert, le blanc au blanc et le noir au noir.

③ **Réinstallez le couvercle de la boîte de jonction**

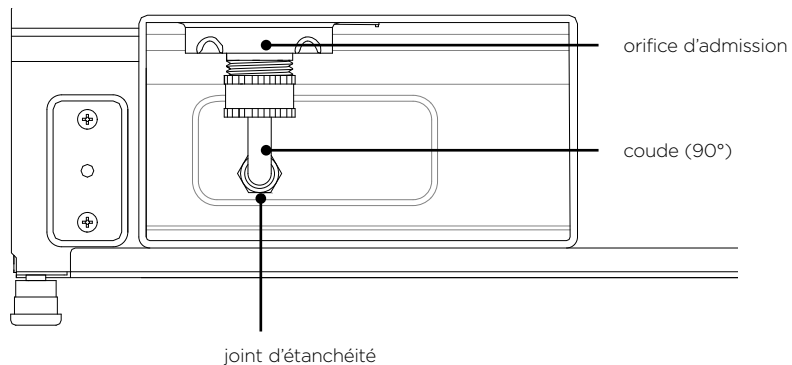
Réinstallez le couvercle de la boîte de jonction en vous assurant que les fils ne sont pas coincés sous le couvercle. Assurez-vous d'acheminer le cordon d'alimentation sous l'appareil.



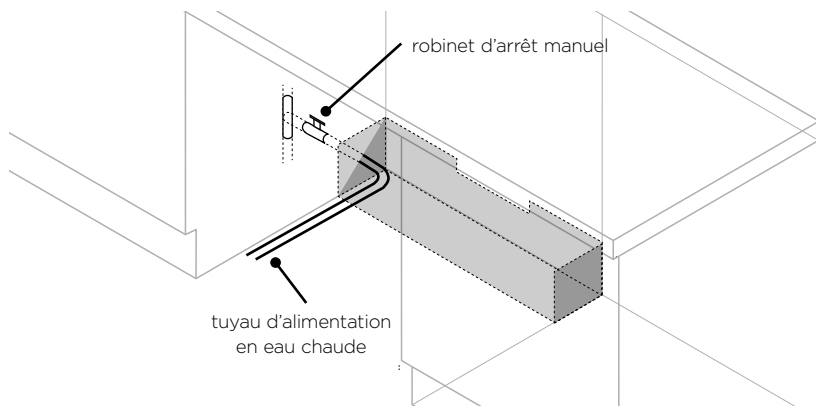
**IMPORTANT!**

Assurez-vous de rincer le tuyau d'alimentation en eau dans un seau avant d'effectuer le raccordement à l'orifice d'admission d'eau.

**Préparez le raccordement de l'alimentation en eau**

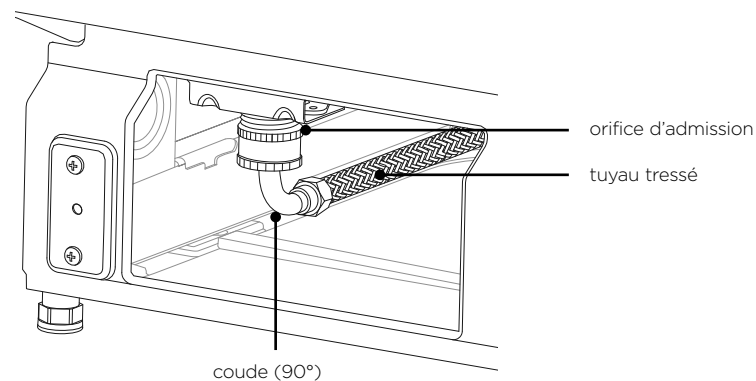


- ① Raccordez un coude (90°) à l'orifice d'admission d'eau.
  - Assurez-vous de placer un joint en caoutchouc entre les filetages du coude et l'orifice d'admission d'eau. Ne serrez pas excessivement le coude.
  - Assurez-vous d'orienter l'extrémité du coude vers l'arrière du lave-vaisselle.

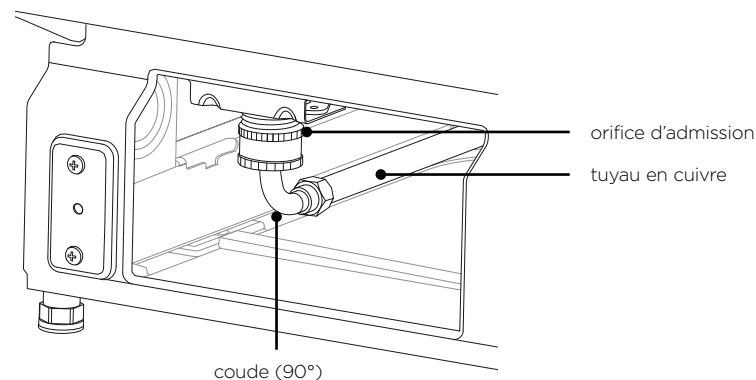


- ② Insérez le tuyau d'alimentation en eau chaude (tuyau en cuivre ou tuyau tressé flexible) dans l'ouverture d'alimentation en eau sur le côté de l'armoire. (Reportez-vous à 'Préparation de la cavité' à la page 9 pour plus de détails.)
  - Veillez à ne pas endommager le tuyau d'alimentation en eau lors de l'insertion dans l'ouverture.
- ③ Installez un robinet d'arrêt manuel sur le tuyau d'alimentation en eau, à un endroit facilement accessible dans l'armoire adjacente (par ex. : sous l'évier).

**Raccordez le tuyau d'alimentation en eau chaude à l'orifice d'admission**

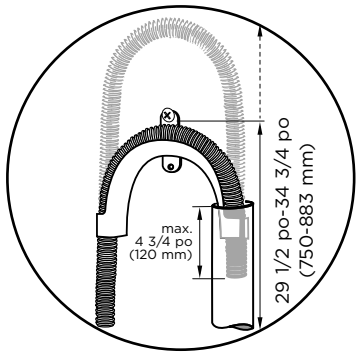


- ① **Lors de l'utilisation d'un tuyau tressé flexible :**  
Vissez l'écrou du tuyau sur le filetage du coude. Serrez à l'aide d'une clé à molette.



- ② **Lors de l'utilisation d'un tuyau en cuivre :**  
Glissez l'écrou à compression et la bague vers l'extrémité du tuyau. Insérez l'extrémité du tuyau dans le coude et vissez l'écrou à compression sur le filetage du coude.

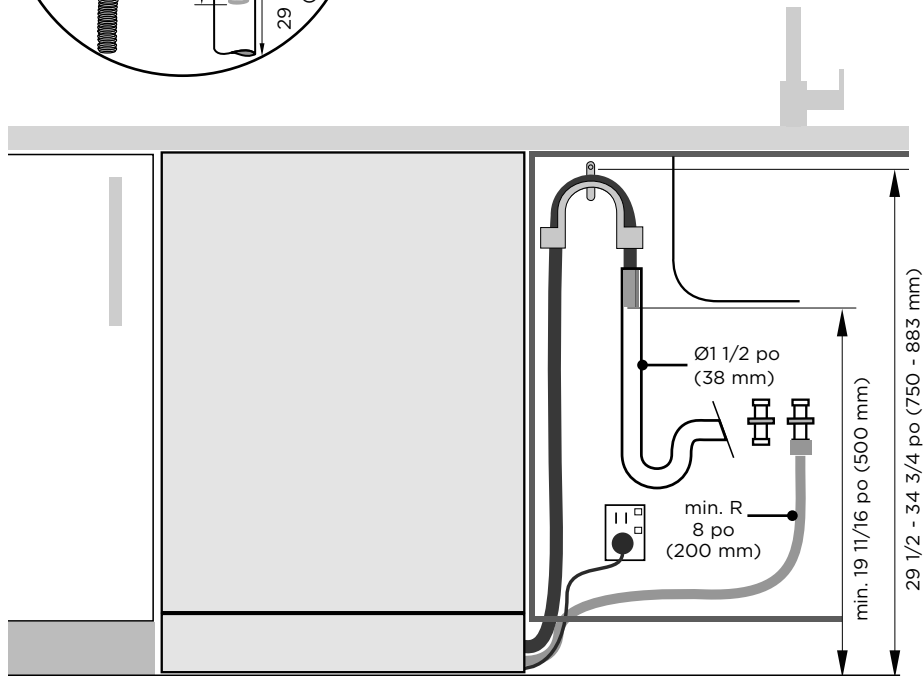
Lave-vaisselle et conduite verticale Ø 38 mm



**IMPORTANT!**

Assurez-vous que le raccordement d'évacuation est conforme aux codes de plomberie locaux.

Vissez le support de tuyau d'évacuation dans le mur arrière, à la hauteur adéquate. Si l'espace est limité pour l'installation, poussez le tuyau dans le support de tuyau d'évacuation pour obtenir la hauteur requise.

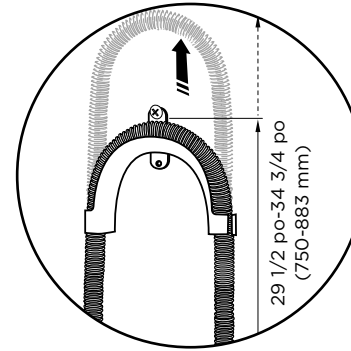


**IMPORTANT!**

Assurez-vous que le tuyau d'évacuation soit installé aussi près que possible du dessous du comptoir. Cela permet d'éviter que l'eau usée retourne dans le tuyau d'évacuation en cas de débit faible ou d'obstruction dans le raccordement de plomberie.

Assurez-vous que le tuyau d'évacuation n'atteigne pas l'eau contenue dans le siphon. Un espacement est requis pour éviter que l'eau usée soit siphonnée vers la cuve.

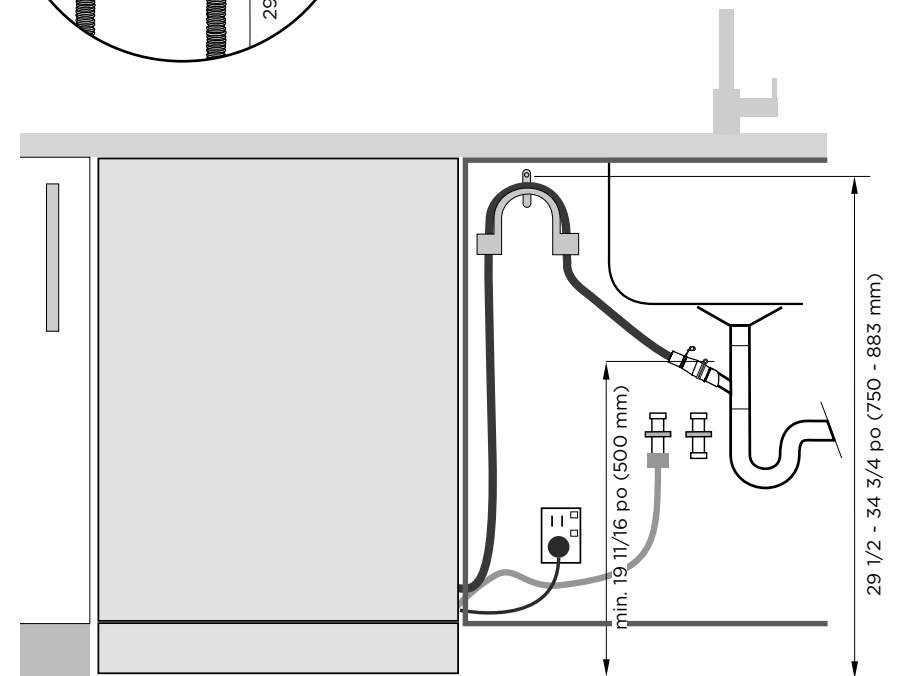
Lave-vaisselle avec raccord de tuyau d'évacuation sur un siphon d'évier/té d'évacuation



**IMPORTANT!**

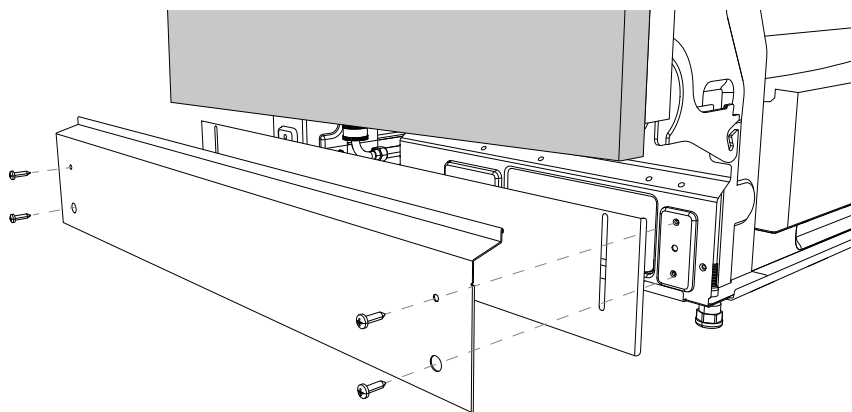
Assurez-vous que le raccordement d'évacuation est conforme aux codes de plomberie locaux.

Vissez le support de tuyau d'évacuation dans le mur arrière, à la hauteur adéquate. Si l'espace est limité pour l'installation, poussez le tuyau dans le support de tuyau d'évacuation pour obtenir la hauteur requise.

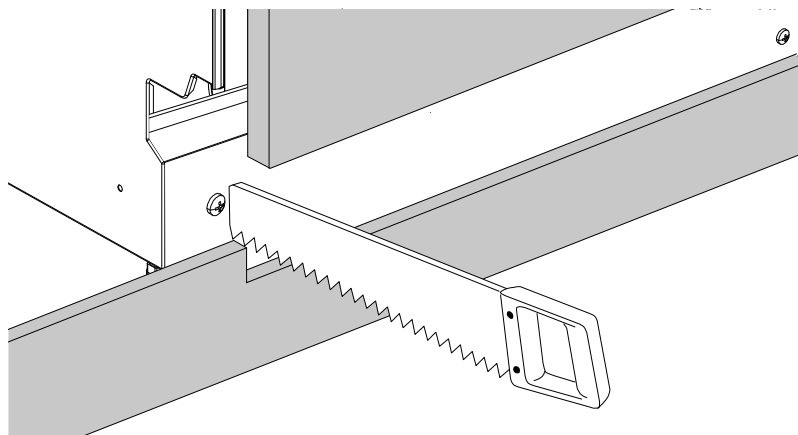


**IMPORTANT!**

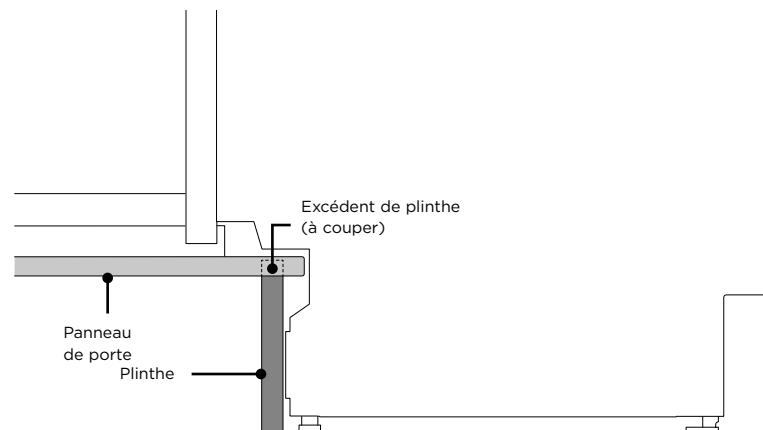
Assurez-vous que la plinthe ne dépasse pas de plus de 3 9/16 po (90 mm) du lave-vaisselle pour éviter d'obstruer la visibilité de l'éclairage au sol.



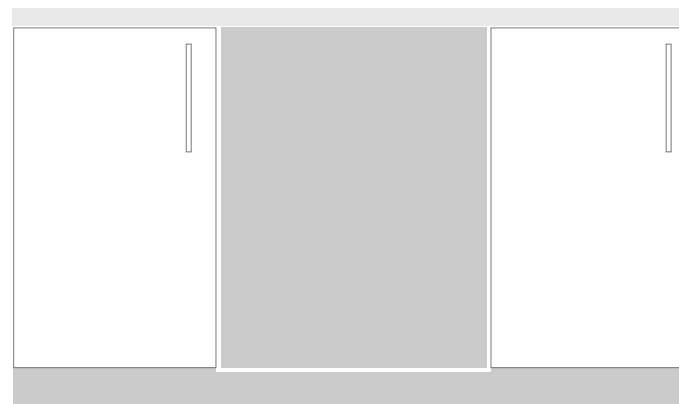
- ① **Réinstallez la plaque de fixation et le panneau de la plinthe.**  
Réinstallez la plinthe et les panneaux de plaque de fixation retirés précédemment. Si vous le souhaitez, vous pouvez installer un panneau de plinthe continue, fabriqué sur mesure.



- ③ **Alignez et préparez le panneau de plinthe continue.**  
Alignez la plinthe à la position souhaitée et marquez l'endroit où elle rencontre la base du panneau de porte. Coupez l'excédent.

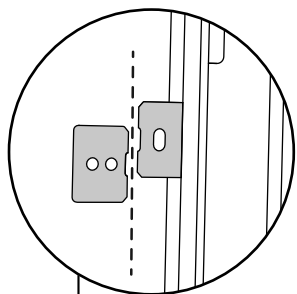


- ② **Vérifiez la partie saillante et la portée de pivotement de la porte.**  
La partie saillante et la portée de pivotement de la porte sont relatives à la hauteur et la profondeur du panneau de plinthe. Coupez l'excédent de panneau pour assurer un encastrement uniforme et continu.

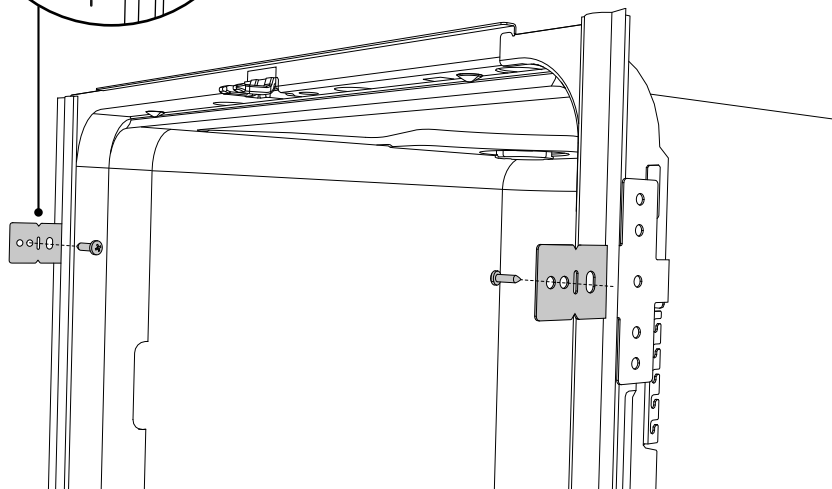


- ④ **Ajustez le panneau de plinthe continue au même niveau que les armoires à proximité.**

### [A] FIXATION DU PRODUIT AUX ARMOIRES ADJACENTES

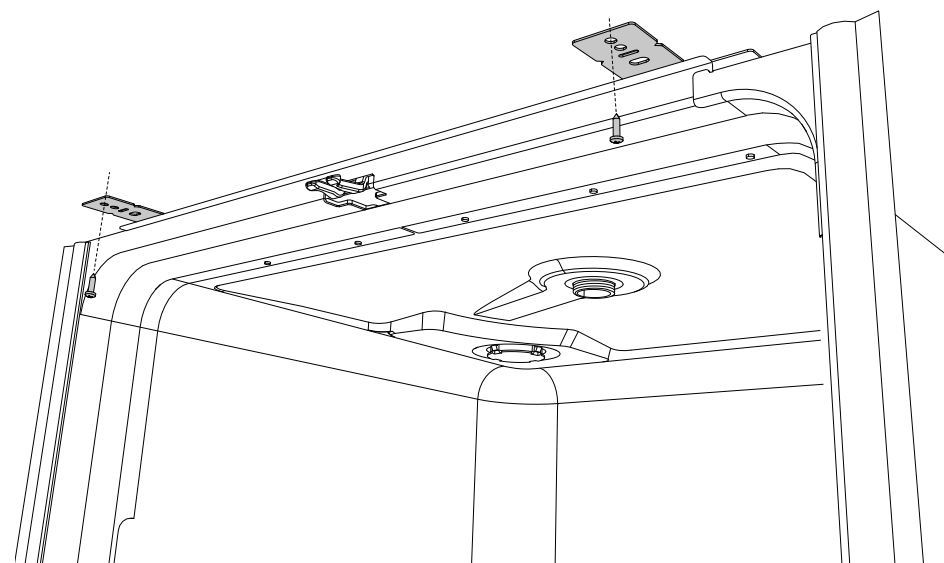


Remarque : Assurez-vous que les supports soient au même niveau que les armoires. Coupez toute partie excédentaire des supports.



En utilisant deux vis de Ø4 x 25 mm, fixez le produit aux armoires adjacentes à l'aide des supports situés de chaque côté du châssis du produit.

### [B] FIXATION DE L'APPAREIL AU COMPTOIR AU-DESSUS



En utilisant deux vis de Ø4 x 25 mm, fixez l'appareil au comptoir au-dessus à l'aide des supports situés dans le haut du châssis de l'appareil.

#### **IMPORTANT!**

**Cette méthode d'installation n'est pas applicable si un support de remplissage est installé. Si vous n'utilisez pas de support de remplissage, nous vous recommandons de fixer l'appareil aux armoires adjacentes ou au comptoir au-dessus.**

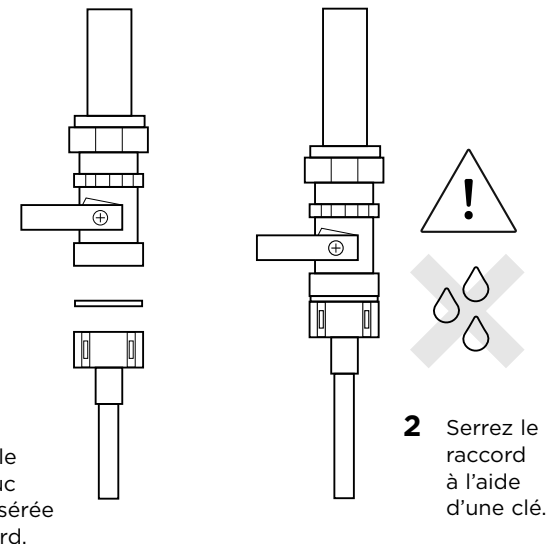
## 20 RACCORDEMENT DU TUYAU D'ALIMENTATION À L'EAU CHAUDE

### Plomberie — Raccordement de l'alimentation en eau

#### IMPORTANT!

- Assurez-vous de raccorder l'appareil à l'alimentation en eau à l'aide du nouveau tuyau d'alimentation en eau fourni. N'utilisez pas d'anciens tuyaux.
- Ne raccourcissez pas le tuyau d'alimentation.

- ① Respectez les exigences relatives au raccordement de l'alimentation en eau.
  - Nous recommandons un raccordement d'alimentation en eau froide pour des performances optimales et une meilleure efficacité énergétique.
  - La température de l'alimentation en eau ne doit pas dépasser 140 °F.
- ② Pression d'eau chaude :
  - Veuillez noter les limites de pression d'eau permises.
  - Plus basse : 5 psi
  - Si la pression est de 5 psi, contactez un plombier qualifié.
  - Plus élevée : 140 psi
  - Installez un réducteur de pression si la pression est supérieure à 140 psi. Contactez un plombier qualifié.
- ③ Raccordez le tuyau d'alimentation en eau à un robinet d'eau accessible avec connecteur BSP 3/4 po. Assurez-vous qu'il n'y ait aucun pli dans le tuyau d'alimentation qui pourrait limiter le débit d'eau. Un changement de direction à 90° nécessite une hauteur minimale de 200 mm pour l'obtention d'une courbe sans entortillement.
  - Assurez-vous que l'eau entrante est limpide. Si les conduites d'eau n'ont pas été utilisées pendant une longue durée, laissez couler l'eau pour vous assurer qu'elle soit limpide et exempte d'impuretés. Sinon, vous risquez d'obstruer le tuyau d'alimentation en eau et d'endommager l'appareil.
  - Au besoin, utilisez un élément filtrant pour filtrer les dépôts au niveau de la conduite. Vous pouvez vous procurer l'élément filtrant auprès d'un centre de service autorisé ou de l'assistance à la clientèle.
- ④ Serrez le raccord du tuyau en effectuant un demi-tour après le contact d'étanchéité.
- ⑤ Vérifiez que le raccordement est exempt de fuite.



## 21 RACCORDEMENT À L'ALIMENTATION

### Raccordement électrique

- Ne raccordez pas le lave-vaisselle à l'alimentation électrique pendant que l'installation est en cours. Assurez-vous que tout le câblage domestique est correctement mis à la terre.
- Vérifiez l'étiquette signalétique (située dans la partie gauche de la porte intérieure en acier inoxydable du lave-vaisselle) et assurez-vous que les valeurs de tension et fréquence de l'alimentation électrique de votre maison correspondent à celles sur l'étiquette signalétique.
- Insérez la fiche dans une prise électrique correctement mise à la terre et munie d'un interrupteur de déconnexion.

#### IMPORTANT!

- La mise à la terre de l'appareil est une exigence de sécurité imposée par la loi.
- Si le cordon d'alimentation n'est pas suffisamment long pour atteindre la prise ou si la prise à laquelle l'appareil doit être raccordé n'est pas adaptée à la fiche, le cordon d'alimentation du lave-vaisselle doit être remplacé en entier. Ce remplacement peut uniquement être effectué par un technicien autorisé par Fisher & Paykel. Ne modifiez ou coupez pas la fiche. N'utilisez pas d'adaptateur, de rallonge ni de boîtier à prises multiples pour raccorder le lave-vaisselle à l'alimentation électrique, car cela pourrait causer une surchauffe entraînant un risque d'incendie.
- La prise à laquelle le lave-vaisselle est branché doit demeurer accessible (par ex. : dans une armoire adjacente) même lorsque l'appareil est installé. Cela permet de déconnecter le lave-vaisselle de l'alimentation électrique pour procéder de manière sécuritaire à l'entretien et au nettoyage.

**Il y a un excédent d'eau au-dessus de la plaque de filtration après le cycle de rinçage (le code d'erreur  $\text{R20}$  peut s'afficher)**

- Vérifiez si le tuyau d'évacuation est entortillé, si le raccord de vidange est obstrué, si la boucle supérieure n'est pas installée correctement, si le tuyau d'évacuation est acheminé de façon incorrecte ou si les bras gicleurs ne sont pas installés.

**Aucune alimentation en eau (le code d'erreur  $\text{R10}$  s'affiche)**

- Assurez-vous que l'alimentation en eau est raccordée et ouverte.

**Le lave-vaisselle émet un bip de façon continue**

- Il y a une défaillance.
- Consultez la section 'Comment réagir à un code d'erreur' dans le Guide d'utilisation pour obtenir plus d'informations et les instructions.

**Il y a de l'eau autour des raccords d'alimentation et d'évacuation**

- Assurez-vous que les raccords, la plomberie existante et les tuyaux ne présentent aucune fuite.
- Assurez-vous que la rondelle en caoutchouc et le collier de serrage sont installés correctement.

**L'appareil bascule**

- L'appareil n'est pas fixé sous le comptoir.
- Assurez-vous que l'appareil soit de niveau et positionné entre les armoires.
- Ajustez les pattes de façon à ce que le lave-vaisselle repose fermement sous le comptoir.

**Le panneau avant est désaligné**

- Vérifiez l'appareil et remettez-le de niveau.
- Assurez-vous que les armoires sont à l'équerre.
- Vérifiez l'alignement du panneau avant et ajustez-le si nécessaire.

**La porte ne se ferme pas correctement**

- Assurez-vous qu'aucun objet n'empêche la porte de se fermer correctement.
- Vérifiez que la longueur du panneau sur mesure permet la fermeture complète de la porte et que le dégagement est suffisant, afin que le mouvement de la porte ne soit pas limité par le sol ou les armoires à proximité.

En cas de problème, consultez la page 'Dépannage' du Guide d'utilisation.

Si vous avez toujours besoin d'assistance après la vérification de ces points, reportez-vous au manuel d'entretien et de garantie pour obtenir des informations sur la garantie et les coordonnées du centre de service autorisé le plus près. Vous pouvez également communiquer avec nous par le biais de notre site Web, à l'adresse [fisherpaykel.com](http://fisherpaykel.com).

✓ À ÊTRE REMPLIE PAR L'INSTALLATEUR

- Assurez-vous que toutes les pièces sont installées.
- Assurez-vous que tous les panneaux et toutes leurs pièces sont bien fixés et que les essais électriques finaux ont été effectués conformément aux réglementations électriques locales.
- Vérifiez que le lave-vaisselle est de niveau. Si nécessaire, ajustez légèrement les pattes de nivellement. Pour assurer le rendement optimal, le lave-vaisselle ne doit pas être incliné de plus de 1°. Vérifiez avec un niveau à bulle.
- Assurez-vous que le tuyau d'entrée d'eau est équipé de la rondelle en caoutchouc fournie et qu'il est serré un demi-tour après le contact d'étanchéité.
- Assurez-vous que les alvéoles défonçables ou les bouchons des raccords d'évacuation ont été percés et que les raccordements ont été effectués.
- Le raccord de tuyau d'évacuation ne doit pas soutenir le poids d'un excédent de tuyau. Allongez le tuyau d'évacuation autant que possible pour éviter qu'il ne s'affaisse. Placez tout excédent de tuyau d'évacuation du côté du lave-vaisselle par rapport à la boucle supérieure.
- Si vous raccordez le tuyau d'évacuation au siphon d'évier, assurez-vous que la boucle supérieure se trouve à une distance d'au moins 5 15/16 po (150 mm) au-dessus du raccord de tuyau d'évacuation.
- Assurez-vous de retirer tous les emballages ou rubans apposés sur les grilles du lave-vaisselle.
- Assurez-vous que l'appareil est de niveau et qu'il s'ouvre et se ferme facilement. La porte doit pouvoir se fermer complètement sans être limitée par les armoires à proximité ou le sol.
- Vérifiez que la porte s'ouvre et se ferme facilement, sans résistance causée par les armoires adjacentes.
- Vérifiez que la prise électrique est accessible et située dans une armoire adjacente.
- Vérifiez le fonctionnement du lave-vaisselle :
  - ① Ouvrez la porte pour mettre en marche le lave-vaisselle.
  - ② Sélectionnez le programme Rinse (Rinçage).
  - ③ Appuyez sur > pour démarrer le programme Rinse (Rinçage). Entendez-vous le lave-vaisselle se remplir?
  - ④ Une fois le programme Rinse (Rinçage) terminé (après environ 20 minutes), vérifiez que l'eau a été évacuée.
- Si un code d'erreur s'affiche, consultez la section 'Codes d'erreur' du Guide d'utilisation pour de plus amples détails.
- Assurez-vous de remettre le guide d'instructions au client.

Remplir et conserver pour référence ultérieure :

Modèle \_\_\_\_\_

N° de série \_\_\_\_\_

Date d'achat \_\_\_\_\_

Acheteur \_\_\_\_\_

Adresse du détaillant \_\_\_\_\_

Nom de l'installateur \_\_\_\_\_

Signature de l'installateur \_\_\_\_\_

Entreprise d'installation \_\_\_\_\_

Date de l'installation \_\_\_\_\_

**FISHERPAYKEL.COM**

© Fisher & Paykel Appliances 2019 Tous droits réservés.  
 Les caractéristiques de produit présentées dans ce livret s'appliquent aux modèles et produits spécifiques qui y sont décrits à la date de publication. Dans le cadre de notre politique d'amélioration en permanence de nos produits, ces caractéristiques peuvent être modifiées à tout moment. Nous vous recommandons de vérifier auprès de votre détaillant que ce livret décrit le produit actuellement disponible.

