

Warming Drawers

Use and Care Manual

HWD57, HWD50



BOSCH

Invented for life



Table of Contents

About This Manual	1	Use of Your Appliance	5
How This Manual is Organized	1	Preheating the Warming Drawer	5
Safety Definitions	1	Warming Food	5
Safety	2	Warming Plates and Bowls	5
Important Safety Instructions	2	Proofing	5
		Crisping Stale Items	5
Getting Started	4	Getting the Most Out of Your Appliance	5
Parts	4	Temperature Recommendations	5
Warming Drawer	4	Cleaning and Maintenance	6
Control Panel	4	Cleaning	6
		Maintenance	6
Operation	4	Removing the Drawer	6
About the Appliance	4	Replacing the Drawer	6
Features	4	Service	7
Warming Timer	4	Data Plate	7
Sabbath Mode	4	STATEMENT OF LIMITED PRODUCT WARRANTY ..	8

This Bosch Appliance is made by
BSH Home Appliances Corporation
1901 Main Street, Suite 600
Irvine, CA 92614

Questions?

1-800-944-2904

www.bosch-home.com/us

We look forward to hearing from you!

About This Manual

How This Manual Is Organized

This manual contains several sections:

- The *Safety* section describes important procedures that can ensure your safety while using the appliance.
- The *Getting Started* section describes the features and functionality of the appliance, including a description of how to set it up and operate it.
- The *Operation* section describes how to operate and get the best performance out of each component.
- The *Cleaning and Maintenance* section describes how to clean and maintain the appliance.
- The *Service* section includes troubleshooting tips and your warranty.
- Before using your appliance, be sure to read this manual. Pay special attention to the *Important Safety Instructions* located at the beginning of the manual.

Safety Definitions

WARNING

This indicates that death or serious injuries may occur as a result of non-observance of this warning.

CAUTION

This indicates that minor or moderate injuries may occur as a result of non-observance of this warning.

NOTICE: This indicates that damage to the appliance or property may occur as a result of non-compliance with this advisory.

Note: This alerts you to important information and/or tips.

IMPORTANT SAFETY INSTRUCTIONS

READ AND SAVE THESE INSTRUCTIONS

Safety

WARNING:

When properly cared for, your new appliance has been designed to be safe and reliable. Read all instructions carefully before use. These precautions will reduce the risk of burns, electric shock, fire and injury to persons. When using kitchen appliances, basic safety precautions must be followed, including those in the following pages.

Proper Installation and Maintenance

Have the installer show you the location of the circuit breaker or fuse. Mark it for easy reference.

This appliance must be properly installed and grounded by a qualified technician. Connect only to a properly grounded outlet. Refer to the Installation Instructions for details.

This appliance is intended for normal family household use only. It is not approved for outdoor use. See the *Warranty*. If you have any questions, contact the manufacturer.

Do not store or use corrosive chemicals, vapors, flammables or nonfood products in or near this appliance. It is specifically designed for use when heating or cooking food. The use of corrosive chemicals in heating or cleaning will damage the appliance and could result in injury.

Do not operate this appliance if it is not working properly, or if it has been damaged. Contact an authorized servicer.

Do not repair or replace any part of the appliance unless specifically recommended in this manual. Refer all servicing to a factory authorized service center.

Fire Safety

If materials inside an oven should ignite, keep door closed. Turn off the appliance, and disconnect the circuit at the circuit breaker box.

Use this appliance only for its intended purpose as described in this manual. For example, never use the appliance for warming or heating the room. Never use the appliance for storage.

Always have a working smoke detector near the kitchen.

In the event that personal clothing or hair catches fire, drop and roll immediately to extinguish flames.

Smother flames from food fires other than grease fires with baking soda. Never use water on cooking fires.

Burn Prevention

Exercise caution when opening the appliance. Standing to the side, open the door slowly and slightly to let hot air and/or steam escape. Keep your face clear of the opening and make sure there are no children or pets near the unit. After the release of hot air and/or steam, proceed with your cooking. Keep doors shut unless necessary for cooking or cleaning purposes. Do not leave open doors unattended.

Do not heat or warm unopened food containers. Build-up of pressure may cause the container to burst and cause injury.

Always use dry potholders. Moist or damp potholders on hot surfaces may result in burns from steam. Do not let potholder touch hot heating elements. Do not use a towel or other bulky cloth.

Do not touch interior surface of the drawer while it is in use. The interior of the drawer could become hot enough to cause burns. Allow drawer and rack (if equipped) to cool before handling.

WARNING:

To prevent burns, do not remove drawer while hot. Be sure drawer is empty before removing.

Secure all loose garments, etc. before beginning. Tie long hair so that it does not hang loose, and do not wear loose fitting clothing or hanging garments, such as ties, scarves, jewelry, or dangling sleeves.

Child Safety

Do not allow anyone to climb, stand, lean, sit, or hang on any part of an appliance, especially a door, warming drawer or storage drawer. This can damage the appliance, and the unit may tip over, potentially causing severe injury.

Do not allow children to use this appliance unless closely supervised by an adult. Children and pets should not be left alone or unattended in the area where the appliance is in use. They should never be allowed to play in its vicinity, whether or not the appliance is in use.

IMPORTANT SAFETY INSTRUCTIONS

READ AND SAVE THESE INSTRUCTIONS

WARNING:

Items of interest to children should not be stored in an appliance, in cabinets above an appliance or on the backsplash. Children climbing on an appliance to reach items could be seriously injured.

Cookware Safety

NOTICE:

Plastic containers or plastic wrap can melt if in direct contact with the drawer or a hot utensil. If it melts onto the drawer, it may not be removable.

Food Safety

CAUTION:

To maintain food safety, follow these guidelines:

1. **DO NOT** use the warming drawer to heat cold food (exception: it is safe to use the drawer to crisp crackers, chips, dry cereal or to warm breads or biscuits, and to warm plates).
2. Be sure to maintain proper food temperature. The USDA recommends holding hot food at 140°F or warmer.
3. **DO NOT** warm food for longer than one hour.

WARNING

State of California Proposition 65 Warnings:

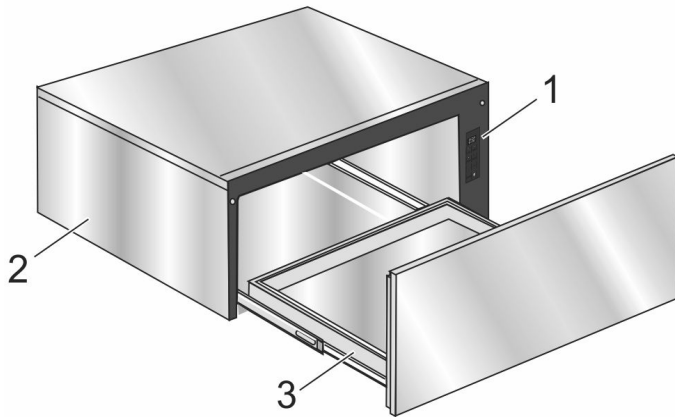
This product contains chemicals known to the State of California to cause cancer, birth defects or other reproductive harm.

IMPORTANT SAFETY NOTICE: The California Safe Drinking and Toxic Enforcement Act requires the Governor of California to publish a list of substances known to the state to cause cancer, birth defects or other reproductive harm, and requires businesses to warn customers of potential exposure to such substances.

Getting Started

Parts

Warming Drawer

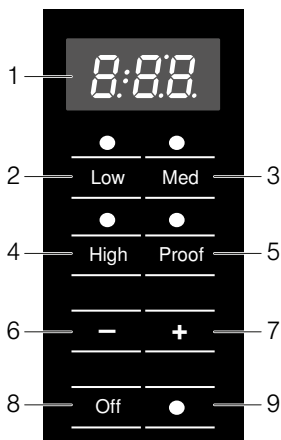


- | | |
|---|------------------------|
| 1 | Control Panel |
| 2 | Warming Drawer Housing |
| 3 | Drawer |

Control Panel

The control panel has several touchpads that respond to light pressure. Touch the center of a touchpad to activate it. The temperature pads control the drawer bottom temperature.

The control panel emits a beep when an entry is made. The warming timer beeps when the specified amount of time has elapsed..



1	Display	Displays the current drawer temperature
2	LOW	140° F
3	MED	165° F
4	HIGH	190° F
5	PROOF	100° F
6	-	Press to decrease time
7	+	Press to increase time
8	ON/OFF	Switches warming drawer on and off.
9	Signal Light	Turns on when the warming drawer is in use.

Operation

About the Appliance

The warming drawer will keep hot, cooked foods at serving temperature. Always start with hot food. **DO NOT** use to heat cold food other than proofing yeast dough, crisping crackers, chips, dry cereal, warming breads and biscuits, or warming dishes or plates.

The warming drawer has a push-to-open feature. Push in on the front of the drawer to cause the drawer to open.

Features

Warming Timer

The warming timer can be set for any increment of 5 minutes. The minimum time is 5 minutes and the maximum is 5 hours.

Note:

The warming timer default is 1 hour.

When the time is elapsed, the warming timer beeps and the drawer automatically turns off.

Changing the Warming Timer:

Use the + and - pads to change the warming timer.

Sabbath Mode

The Sabbath Feature enables those of particular faiths to use their warming drawers on the Sabbath.

- The warming drawer is set to run for 74 hours before automatically turning off.
- While operating in Sabbath Mode, the display will show **SAb**.
- The warming timer cannot be changed once the Sabbath Mode is set.
- Press **ON/OFF** at any time during Sabbath mode to end the mode and turn off the appliance.

Setting the Sabbath Feature

Press **MED** for five seconds.

Note:

Only the MED temperature can be use while in the Sabbath mode. Once the Sabbath mode is set, all buttons are disabled except the **On/Off** button, used to cancel the mode.

Use of Your Appliance

⚠ CAUTION

To maintain food safety, do not leave food in the warming drawer for more than one hour after cooking.

IMPORTANT:

Plastic containers or plastic wrap can melt if in direct contact with the drawer or a hot utensil. If it melts onto the drawer, it may not be removable.

Note:

Use heat-safe dishes only.

Preheating the Warming Drawer

Preheat the warming drawer when warming food. For best results, preheat for the following times:

Setting	Preheat Time
LOW	10 minutes
MED	15 minutes
HIGH	20 minutes
PROOF	no preheating necessary

Warming Food

1. Press the pad for the desired temperature setting.
2. Preheat warming drawer.
3. Set the warming timer.
4. Place cooked, hot food in the drawer.

It is okay to leave food in the cookware it was prepared. Alternatively, you can transfer food to a heat-safe serving dish before placing it in the warming drawer.

Aluminum foil or lid may be used to cover food.

Warming Plates and Bowls

Use only heat-safe dishes. Place empty dishes or plates in a cold warming drawer. No need to preheat.

1. Press **LOW**.
2. Set the warming timer.

Proofing

Place dough in desired dish in a cold warming drawer and lightly oil top of dough. Loosely cover with cloth.

1. Press **PROOF**.
2. Set the warming timer.
3. Check dough height. Add time as needed.

Crisping Stale Items

Place food in low sided dishes or pans.

1. Press **LOW**.
2. Preheat for 5 minutes, then place dish in drawer.
3. Set the warming timer.
4. Check crispness after 45 minutes. Add time as needed.

Getting the Most Out of Your Appliance

Temperature Recommendations

Food/Cookware	Setting	Cover Dish
Proofing yeast dough	PROOF	Yes
Bacon	HIGH	No
Beef, medium and well done	MED	No
Beef, medium rare	LOW	No
Bread, hard rolls	MED	No
Bread, soft rolls, coffe cakes	MED	Yes
Biscuits	MED	Yes
Casseroles	MED	Yes
Eggs	MED	Yes
Fish, seafood	MED	Yes
Fried foods	HIGH	No
Gravy, cream sauces	MED	Yes
Ham	MED	Yes
Pancakes	HIGH	Yes
Pies, one crust	MED	Yes
Pies, two crusts	MED	No
Pizza	HIGH	No
Pork	MED	Yes
Potatoes, baked	HIGH	Yes
Potatoes, mashed	MED	Yes
Poultry, roasted	MED	Yes
Vegetables	MED	Yes
Plates	LOW	No
Plate of food	MED	Yes

Cleaning and Maintenance

Cleaning

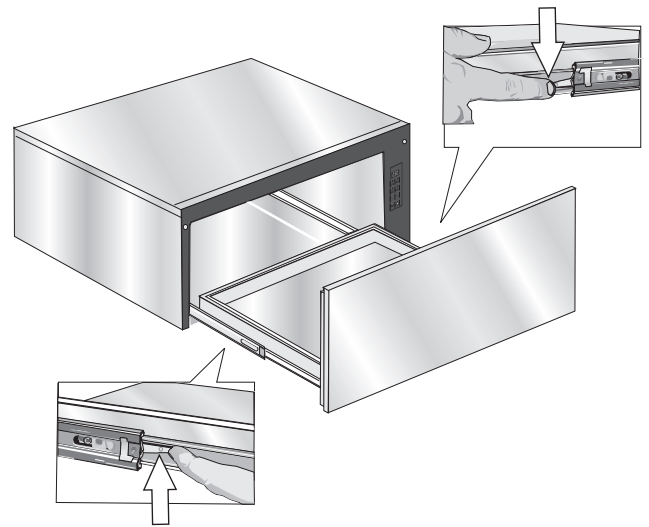
Part	Recommendations
Drawer interior (polished stainless steel)	Use dish detergent. Wash, rinse well and dry. For hard water spots or scale, use white vinegar. Apply with a sponge or cloth, rinse, and dry.
Painted surfaces	Use hot soapy water or mild cleaners such as Fantastik® or Formula 409®. Wash, rinse well and dry. Avoid using abrasive cleaning agents, steel wool pads and oven cleaners.
Drawer exterior frame (brushed stainless steel)	Always wipe or rub in the direction of the grain. Clean with a soapy sponge, then rinse and dry, or wipe with Fantastik® or Formula 409® sprayed on a paper towel. Protect and polish with Stainless Steel Magic® and a soft cloth. Remove water spots with a cloth dampened with white vinegar. Use Bar Keeper's Friend® to remove heat discoloration.
Warming Drawer Control	Clean with hot soapy water or apply Fantastik® or Formula 409® to a clean sponge or paper towel and wipe clean. Avoid using abrasive cleaners and scrubbing pads.

Maintenance

Removing the Drawer

⚠ CAUTION

To prevent burns, do not remove drawer while hot. Be sure drawer is empty before removing.



1. Pull drawer to fully open position.
2. Press down right drawer clip.
3. Lift up left drawer clip.
4. Firmly pull the drawer straight out. Retract cabinet rails while drawer is removed.

Replacing the Drawer

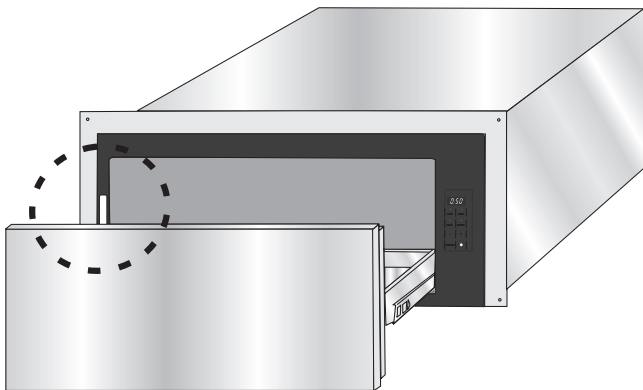
1. Be sure cabinet rails are pushed inside cabinet.
2. Align the drawer rails with the cabinet rails.
3. Firmly push the drawer straight into the cabinet until drawer clicks into place.
4. Open and close drawer to test operation. Note: if the drawer will not close, verify that the rail clips are properly positioned.

Service

To reach a service representative, see the contact information at the front of the manual. Please be prepared with the information printed on your product data plate when calling.

Data Plate

The data plate shows the model and serial number. Refer to the data plate on the appliance when requesting service. The data plate is visible on the left side of the cabinet. It may be necessary to remove the drawer to view it.



STATEMENT OF LIMITED PRODUCT WARRANTY

What this Warranty Covers & Who it Applies to

The limited warranty provided by BSH Home Appliances Bosch in this Statement of Limited Product Warranty applies only to the Bosch appliance sold to you, the first using purchaser, provided that the Product was purchased:

- For your normal, household (non-commercial) use, and has in fact at all times only been used for normal household purposes.
- New at retail (not a display, "as is", or previously returned model), and not for resale, or commercial use.
- Within the United States or Canada, and has at all times remained within the country of original purchase.

The warranties stated herein apply only to the first purchaser of the Product and are not transferable.

Please make sure to return your registration card; while not necessary to effectuate warranty coverage, it is the best way for Bosch to notify you in the unlikely event of a safety notice or product recall.

How Long the Warranty Lasts

Bosch warrants that the Product is free from defects in materials and workmanship for a period of three hundred and sixty-five (365) days from the date of purchase. The foregoing timeline begins to run upon the date of purchase, and shall not be stalled, tolled, extended, or suspended, for any reason whatsoever.

This Product is also warranted to be free from *cosmetic* defects in material and workmanship (such as scratches of stainless steel, paint/porcelain blemishes, chip, dents, or other damage to the finish of the Product), for a period of thirty (30) days from the date of purchase or closing date for new construction. This *cosmetic* warranty excludes slight color variations due to inherent differences in painted and porcelain parts, as well as differences caused by kitchen lighting, product location, or other similar factors. This *cosmetic* warranty specifically excludes any display, floor, "As Is", or "B" stock appliances.

Repair/Replace as Your Exclusive Remedy

During this warranty period, Bosch or one of its authorized service providers will repair your Product without charge to you (subject to certain limitations stated herein) if your Product proves to have been manufactured with a defect in materials or workmanship. If reasonable attempts to repair the Product have been made without success, then Bosch will replace your Product (upgraded models may be available to you, in Bosch's sole discretion, for an additional charge). All removed parts and components shall become the property of Bosch at its sole option. All replaced and/or repaired parts shall assume the identity of the original part for purposes of this warranty and this warranty shall not be extended with respect to such parts. Bosch's sole liability and responsibility hereunder is to repair manufacturer-defective Product only, using a Bosch-authorized service provider during normal business hours. For safety and property damage concerns, Bosch highly recommends that you do not attempt to repair the Product yourself, or use an un-authorized service provider; Bosch will have no responsibility or liability for repairs or work performed by a non-authorized service provider. If you choose to have someone other than an authorized service provider work on your Product, THIS WARRANTY WILL AUTOMATICALLY BECOME NULL AND VOID. Authorized service providers are those persons or companies that have been specially trained on Bosch products, and who possess, in Bosch's opinion, a superior reputation for customer service and technical ability (note that they are independent entities and are not agents, partners, affiliates or representatives of Bosch). Notwithstanding the foregoing, Bosch will not incur any liability, or have responsibility, for the Product if it is located in a remote area (more than 100 miles from an authorized service provider) or is reasonably inaccessible, hazardous, threatening, or treacherous locale, surroundings, or environment; in any such event, if you request, Bosch would still pay for labor and parts and ship the parts to the nearest authorized service provider, but you would still be fully liable and responsible for any travel time or other special charges by the service company, assuming they agree to make the service call.

Out of Warranty Product

Bosch is under no obligation, at law or otherwise, to provide you with any concessions, including repairs, pro-rates, or Product replacement, once this warranty has expired.

Warranty Exclusions

The warranty coverage described herein excludes all defects or damage that are not the direct fault of Bosch, including without limitation, one or more of the following:

- Use of the Product in anything other than its normal, customary and intended manner (including without limitation, any form of commercial use, use or storage of an indoor product outdoors, use of the Product in conjunction with air or water-going vessels).
- Any party's willful misconduct, negligence, misuse, abuse, accidents, neglect, improper operation, failure to maintain, improper or negligent installation, tampering, failure to follow operating instructions, mishandling, unauthorized service (including self-performed "fixing" or exploration of the appliance's internal workings).
- Adjustment, alteration or modification of any kind.
- A failure to comply with any applicable state, local, city, or county electrical, plumbing and/or building codes, regulations, or laws, including failure to install the product in strict conformity with local fire and building codes and regulations.
- Ordinary wear and tear, spills of food, liquid, grease accumulations, or other substances that accumulate on, in, or around the Product.
- Any external, elemental and/or environmental forces and factors, including without limitation, rain, wind, sand, floods, fires, mud slides, freezing temperatures, excessive moisture or extended exposure to humidity, lightning, power surges, structural failures surrounding the appliance, and acts of God.

In no event shall BSH have any liability or responsibility whatsoever for damage to surrounding property, including cabinetry, floors, ceilings, and other structures or objects around the Product. Also excluded from this warranty are Products on which the serial numbers have been altered, defaced, or removed; service visits to teach you how to use the Product, or visits where there is nothing wrong with the Product; correction of installation problems (you are solely responsible for any structure and setting for the Product, including all electrical, plumbing or other connecting facilities, for proper foundation/flooring, and for any alterations including without limitation cabinetry, walls, floors, shelving, etc.); and resetting of breakers or fuses.

TO THE EXTENT ALLOWED BY LAW, THIS WARRANTY SETS OUT YOUR EXCLUSIVE REMEDIES WITH RESPECT TO PRODUCT, WHETHER THE CLAIM ARISES IN CONTRACT OR TORT (INCLUDING STRICT LIABILITY, OR NEGLIGENCE) OR OTHERWISE. THIS WARRANTY IS IN LIEU OF ALL OTHER WARRANTIES, WHETHER EXPRESS OR IMPLIED. ANY WARRANTY IMPLIED BY LAW, WHETHER FOR MERCHANTABILITY OR FITNESS FOR A PARTICULAR PURPOSE, OR OTHERWISE, SHALL BE EFFECTIVE ONLY FOR THE PERIOD THAT THIS EXPRESS LIMITED WARRANTY IS EFFECTIVE. IN NO EVENT WILL THE MANUFACTURER BE LIABLE FOR CONSEQUENTIAL, SPECIAL, INCIDENTAL, INDIRECT, "BUSINESS LOSS", AND/OR PUNITIVE DAMAGES, LOSSES, OR EXPENSES, INCLUDING WITHOUT LIMITATION TIME AWAY FROM WORK, HOTELS AND/OR RESTAURANT MEALS, REMODELLING EXPENSES IN EXCESS OF DIRECT DAMAGES WHICH ARE DEFINITELY CAUSED EXCLUSIVELY BY BOSCH, OR OTHERWISE. SOME STATES DO NOT ALLOW THE EXCLUSION OR LIMITATION OF INCIDENTAL OR CONSEQUENTIAL DAMAGES, AND SOME STATES DO NOT ALLOW LIMITATIONS ON HOW LONG AN IMPLIED WARRANTY LASTS, SO THE ABOVE LIMITATIONS MAY NOT APPLY TO YOU. THIS WARRANTY GIVES YOU SPECIFIC LEGAL RIGHTS, AND YOU MAY ALSO HAVE OTHER RIGHTS WHICH VARY FROM STATE TO STATE.

No attempt to alter, modify or amend this warranty shall be effective unless authorized in writing by an officer of BSH.

Table des matières

À propos de ce manuel	1	Utilisation de votre appareil	5
Comment ce manuel est organisé	1	Préchauffage du tiroir-réchaud	5
Définitions concernant la sécurité	1	Préchauffage des aliments	5
Sécurité	2	Préchauffage des assiettes et bols	5
Consignes de sécurité importantes	2	Apprêt	5
		Redonner leur croquant aux articles rassis	5
Mise en route	4	Tirer le meilleur parti de votre appareil	5
Pièces	4	Recommandations relatives aux températures	5
Tiroir-réchaud	4	Nettoyage et entretien	6
Tableau de commande	4	Nettoyage	6
		Entretien	6
Fonctionnement	4	Démontage du tiroir	6
À propos de l'appareil	4	Remise en place du tiroir	6
Fonctions	4	Dépannage	7
Minuterie de maintien au chaud	4	Plaque signalétique	7
Mode Shabbat	4	ÉNONCÉ DE GARANTIE LIMITÉE DU PRODUIT	8

Cet appareil électroménager Bosch est fabriqué par
BSH Home Appliances, Corporation
1901 Main Street, Suite 600
Irvine, CA 92614

Questions?

1-800-944-2904

www.bosch-home.com/us

Il nous fait toujours plaisir de recevoir vos commentaires!

À propos de ce manuel

Comment ce manuel est organisé

Ce manuel contient plusieurs sections :

- La section *Sécurité* décrit des procédures importantes qui visent à assurer votre sécurité pendant l'utilisation de l'appareil.
- La section *Mise en route* décrit les caractéristiques et fonctionnalités de l'appareil et comprend une description de son installation et fonctionnement.
- La section *Fonctionnement* décrit comment actionner et obtenir le meilleur rendement de chaque composant.
- La section *Nettoyage et Entretien* décrit la façon de nettoyer et d'entretenir l'appareil.
- La section *Dépannage* comprend les conseils de dépannage et la garantie.
- Avant d'utiliser l'appareil, prière de lire attentivement ce manuel. Prêter une attention toute particulière aux *Importantes consignes de sécurité* situées au début du manuel.

Définitions concernant la sécurité

▲ AVERTISSEMENT

Ceci indique que le non-respect de cet avertissement peut entraîner des blessures graves, voire la mort.

▲ ATTENTION

Ceci indique que le non-respect de cet avertissement peut entraîner des blessures légères ou modérées.

AVIS : Ceci indique que la non-conformité à cet avis de sécurité peut entraîner des dégâts à l'appareil ou à la propriété.

Remarque : Ceci vous avertit que d'importantes informations et/ou conseils sont fournis.

IMPORTANTES CONSIGNES DE SÉCURITÉ

LIRE ET CONSERVER CES CONSIGNES

Sécurité

AVERTISSEMENT:

Votre nouvel appareil a été conçu pour un fonctionnement sûr et fiable si vous en prenez bien soin. Lire attentivement toutes les consignes avant l'emploi. Ces précautions réduiront les risques de brûlures, de choc électrique, d'incendie et de lésions corporelles. Lors de l'utilisation d'appareils de cuisine, il est impératif de respecter les mesures de sécurité élémentaires, y compris celles figurant aux pages suivantes.

Installation et entretien corrects

Demander à l'installateur de vous indiquer l'emplacement du coupe-circuit ou du fusible. Identifier sa position pour pouvoir le retrouver facilement.

L'installation et la mise à la terre correctes de cet appareil doivent être effectuées par un technicien qualifié. Brancher uniquement l'appareil sur une prise correctement reliée à la terre. Se reporter à la notice d'installation pour obtenir des détails supplémentaires.

Cet appareil est destiné à un usage domestique familial normal uniquement. Il n'est pas autorisé pour un usage en extérieur. Voir la *Garantie*. Pour toute question, contacter le fabricant.

Ne pas entreposer ni utiliser de produits chimiques corrosifs, vapeurs, substances inflammables ou produits non alimentaires à l'intérieur ou à proximité de cet appareil. Celui-ci a été spécialement conçu pour faire chauffer ou faire cuire des aliments. L'emploi de produits chimiques corrosifs pour chauffer ou nettoyer l'appareil endommagera ce dernier et peut entraîner des blessures.

Ne pas se servir de cet appareil s'il ne fonctionne pas correctement ou s'il est endommagé. Communiquer avec un service de réparation autorisé.

Ne pas réparer ni remplacer des pièces de l'appareil à moins que cela ne soit expressément recommandé dans ce manuel. Confier l'entretien de l'appareil à un centre de service autorisé par l'usine.

Sécurité-incendie

Si des matériaux s'enflamment à l'intérieur du four, ne pas ouvrir la porte. Mettre l'appareil hors tension et débrancher le circuit électrique au boîtier de disjoncteurs.

L'appareil doit être utilisé uniquement pour l'usage auquel il est destiné comme décrit dans ce manuel. Par exemple, ne jamais utiliser l'appareil pour réchauffer ou chauffer une pièce. Ne jamais utiliser l'appareil pour entreposer quoi que ce soit.

Toujours avoir un détecteur de fumée qui fonctionne près de la cuisine.

Si vos cheveux ou vêtements s'enflamment, se laisser tomber au sol et rouler immédiatement sur soi-même pour éteindre les flammes.

Pour éteindre les flammes d'un incendie provoqué par des aliments autre qu'un incendie de graisse, utiliser du bicarbonate de soude. Ne jamais utiliser d'eau sur les incendies de cuisine.

Prévention des brûlures

Faire attention en ouvrant la porte de l'appareil. Se tenir sur le côté, ouvrir la porte lentement et légèrement pour laisser l'air chaud et/ou la vapeur s'échapper. Éloigner le visage de l'ouverture et s'assurer qu'aucun enfant ou animal domestique ne se trouve à proximité de l'unité. Une fois la vapeur et l'air chaud échappés, continuer la cuisson. Garder les portes fermées à moins qu'il ne soit nécessaire de les ouvrir pour la cuisson ou le nettoyage. Ne pas laisser les portes ouvertes sans surveillance.

Ne pas chauffer ou réchauffer des récipients d'aliments non ouverts. L'accumulation de pression peut faire exploser un récipient et provoquer des blessures.

Toujours utiliser des poignées isolantes sèches. Des poignées mouillées ou humides entrant en contact avec les surfaces chaudes peuvent provoquer des blessures par dégagement de vapeur. Ne pas laisser les poignées entrer en contact avec les résistances chaudes. Ne pas utiliser de serviette ni de chiffon volumineux.

Ne pas toucher aux surfaces intérieures du tiroir lorsque celui-ci est en fonctionnement. L'intérieur du tiroir peut devenir suffisamment chaud pour causer des brûlures. Laisser le tiroir et la grille (s'il y en a une) refroidir avant toute manipulation.

IMPORTANTES CONSIGNES DE SÉCURITÉ

LIRE ET CONSERVER CES CONSIGNES

AVERTISSEMENT:

Pour éviter le risque de brûlure, ne pas enlever le tiroir tant qu'il est chaud. S'assurer que le tiroir est vide avant de l'enlever.

Attacher les vêtements lâches, etc. avant de commencer. Attacher les cheveux longs de façon à ce qu'ils ne pendent pas et ne pas porter de vêtements lâches ou d'habits ou objets qui pendillent, tels que cravates, foulards, bijoux ou manches.

Sécurité des enfants

Ne laisser personne grimper, se tenir debout, s'appuyer, s'asseoir ou se suspendre à une partie quelconque de l'appareil, en particulier la porte, le tiroir-réchaud ou le tiroir de rangement. Ceci peut endommager l'appareil, le faire basculer et provoquer potentiellement des blessures sérieuses.

Ne pas laisser un enfant utiliser cet appareil sans l'étroite surveillance d'un adulte. Enfants et animaux ne doivent pas être laissés seuls ou sans surveillance à l'endroit où l'on utilise l'appareil. Ne jamais laisser un enfant jouer à proximité de l'appareil que celui-ci soit en fonctionnement ou non.

AVERTISSEMENT :

Les articles d'intérêt pour les enfants ne doivent pas être rangés dans un appareil électroménager, dans les armoires au-dessus de l'appareil ou sur le dossier. Un enfant qui grimpe sur l'appareil pour prendre ces objets peut se blesser sérieusement.

Sécurité de la batterie de cuisine

AVIS :

Les récipients en matière plastique ou le film étirable peuvent se fondre lorsqu'ils sont en contact direct avec le tiroir ou un ustensile chaud. S'ils se fondent dans le tiroir, il ne sera pas toujours possible de les nettoyer.

Sécurité alimentaire

AVERTISSEMENT :

Suivre les règles de sécurité alimentaire suivantes :

1. **NE PAS** utiliser un tiroir-réchaud pour faire chauffer des aliments froids (exception : il est possible d'utiliser un tiroir-réchaud en toute sécurité pour rendre croustillants les biscuits salés, les chips ou les céréales sèches ou pour réchauffer le pain ou les biscottes).
2. S'assurer de maintenir les aliments à la température adéquate. L'USDA recommande de conserver les aliments chauds à 140 °F (60 °C) ou plus.
3. **NE PAS** maintenir des aliments au chaud pendant plus d'une heure.

AVERTISSEMENT

Avertissements conformément à la Proposition 65 de l'État de Californie :

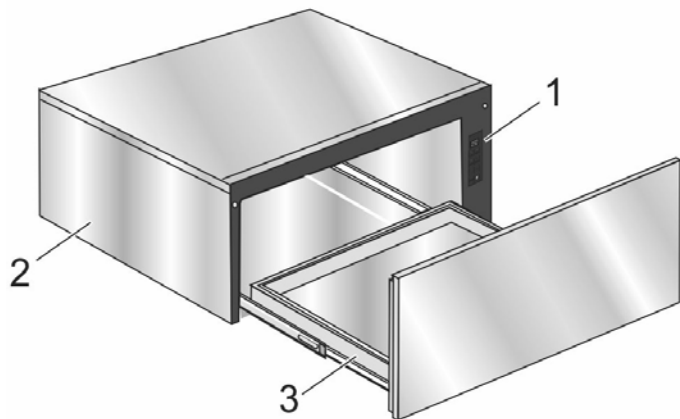
Ce produit contient des substances chimiques reconnues par l'État de Californie comme pouvant causer le cancer, des malformations congénitales ou d'autres troubles de la reproduction.

AVIS DE SÉCURITÉ IMPORTANT : En application de la loi californienne concernant la salubrité de l'eau et la protection contre les substances chimiques (« California Safe Drinking Water and Toxic Enforcement Act »), le gouverneur de Californie est tenu de publier une liste des substances reconnues par l'État de Californie comme étant cancérigènes ou pouvant causer des malformations ou présenter un danger pour la reproduction, et les entreprises sont tenues d'avertir les consommateurs des risques potentiels d'exposition à de telles substances.

Mise en route

Pièces

Tiroir-réchaud



1	Tableau de commande
2	Bâti du tiroir-réchaud
3	Tiroir

Tableau de commande

Le tableau de commande comporte plusieurs pavés tactiles qui sont sensibles à une légère pression. Toucher au centre d'un pavé tactile pour l'activer. Les touches de température contrôlent la température du fond du tiroir.

Le tableau de commande émet un bip sonore lorsqu'une saisie est effectuée. La minuterie de maintien au chaud émet une série de bips lorsque la durée spécifiée est écoulée.'

	<table border="1"><tr><td>1</td><td>Écran</td><td>Affiche la température actuelle du tiroir</td></tr><tr><td>2</td><td>BAS</td><td>140 °F (60 °C)</td></tr><tr><td>3</td><td>MOY</td><td>165 °F (73,8 °C)</td></tr><tr><td>4</td><td>ÉLEVÉ</td><td>190 °F (87,7 °C)</td></tr><tr><td>5</td><td>APPRÊT</td><td>100 °F (37,7 °C)</td></tr><tr><td>6</td><td>-</td><td>Appuyez pour réduire la durée</td></tr><tr><td>7</td><td>+</td><td>Appuyez pour augmenter la durée</td></tr><tr><td>8</td><td>ACTIVER / DÉSACTIVER</td><td>Active ou désactive le tiroir-réchaud.</td></tr><tr><td>9</td><td>Lampe témoin</td><td>S'allume lorsque le tiroir-réchaud est en fonctionnement.</td></tr></table>	1	Écran	Affiche la température actuelle du tiroir	2	BAS	140 °F (60 °C)	3	MOY	165 °F (73,8 °C)	4	ÉLEVÉ	190 °F (87,7 °C)	5	APPRÊT	100 °F (37,7 °C)	6	-	Appuyez pour réduire la durée	7	+	Appuyez pour augmenter la durée	8	ACTIVER / DÉSACTIVER	Active ou désactive le tiroir-réchaud.	9	Lampe témoin	S'allume lorsque le tiroir-réchaud est en fonctionnement.
1	Écran	Affiche la température actuelle du tiroir																										
2	BAS	140 °F (60 °C)																										
3	MOY	165 °F (73,8 °C)																										
4	ÉLEVÉ	190 °F (87,7 °C)																										
5	APPRÊT	100 °F (37,7 °C)																										
6	-	Appuyez pour réduire la durée																										
7	+	Appuyez pour augmenter la durée																										
8	ACTIVER / DÉSACTIVER	Active ou désactive le tiroir-réchaud.																										
9	Lampe témoin	S'allume lorsque le tiroir-réchaud est en fonctionnement.																										

Fonctionnement

À propos de l'appareil

Le tiroir-réchaud permet de conserver les aliments cuits et chauds à une température de service. Toujours utiliser des aliments chauds au départ. NE PAS utiliser pour réchauffer des aliments froids sauf pour faire lever la pâte, pour redonner leur croquant aux biscuits salés, aux chips ou aux céréales sèches, maintenir au chaud le pain et les biscottes ou chauffer des plats ou des assiettes.

Le tiroir-réchaud est doté d'un mécanisme d'ouverture « Push-to-Open ». Il suffit d'exercer une légère pression sur la face avant du tiroir pour l'ouvrir.

Fonctions

Minuterie de maintien au chaud

La minuterie de maintien au chaud peut être réglée pour tout incrément de 5 minutes. La durée minimum est de 5 minutes et la durée maximum est de 5 heures.

Remarque :

La durée par défaut de la minuterie de maintien au chaud est 1 heure.

Lorsque la durée est écoulée, le tiroir-réchaud émet un signal d'avertissement et s'éteint automatiquement.

Modification de la minuterie de maintien au chaud :

Utilisez les touches tactiles + et - pour modifier la minuterie de maintien au chaud.

Mode Shabbat

La fonction Shabbat permet aux personnes de croyances religieuses particulières d'utiliser leur tiroir-réchaud le jour du Shabbat.

- Le tiroir-réchaud est configuré pour fonctionner pendant 74 heures avant de s'éteindre automatiquement.
- Lorsque le tiroir-réchaud fonctionne en mode Shabbat, l'écran indiquera **SAb**.
- La minuterie de maintien au chaud ne peut pas être modifiée une fois le mode Shabbat programmé.
- Appuyer sur **ON/OFF (ACTIVER/DÉSACTIVER)** à n'importe quel moment pendant le déroulement du mode Shabbat pour arrêter le mode et éteindre l'appareil.

Réglage de la fonction Shabbat

Appuyer sur **MED (MOY)** pendant cinq secondes.

Remarque :

En mode Shabbat, on ne peut utiliser que la température MED. Une fois le mode Shabbat programmé, tous les boutons sont désactivés mis à part le bouton **Activer/Désactiver**, lequel est utilisé pour annuler le mode.

Utilisation de l'appareil

⚠ ATTENTION

Pour des raisons de sécurité alimentaire, ne pas laisser les aliments à l'intérieur du tiroir-réchaud pendant plus d'une heure après la cuisson.

IMPORTANT :

Les récipients en matière plastique ou le film étirable peuvent se fondre lorsqu'ils sont en contact direct avec le tiroir ou un ustensile chaud. S'ils se fondent dans le tiroir, il ne sera pas toujours possible de les nettoyer.

Remarque :

Utiliser uniquement de la vaisselle résistante à la chaleur.

Préchauffer le tiroir-réchaud

Préchauffer le tiroir-réchaud avant de maintenir des aliments au chaud. Pour de meilleurs résultats, préchauffer le tiroir-réchaud en respectant les durées de préchauffage suivantes :

Paramètre	Durée de préchauffage
BAS	10 minutes
MOY	15 minutes
ÉLEVÉ	20 minutes
APPRÊT	aucun préchauffage nécessaire

Réchauffage des aliments

- Appuyer sur la touche pour programmer la température désirée.
- Préchauffer le tiroir-réchaud.
- Régler la minuterie de maintien au chaud.
- Placer les aliments cuits et chauds dans le tiroir-réchaud.

Vous pouvez laisser les aliments dans le plat de préparation initial. Autre possibilité : transférez les aliments dans un plat de service résistant à la chaleur avant de les mettre dans le tiroir-réchaud.

Vous pouvez recouvrir les aliments de papier aluminium ou utiliser un couvercle.

Réchauffage des assiettes et bols

Utiliser uniquement des plats résistants à la chaleur. Disposer les assiettes ou les plats vides dans un tiroir-réchaud froid. Inutile de préchauffer.

- Appuyer sur **LOW (BAS)**.
- Régler la minuterie de maintien au chaud.

Apprêt

Mettre la pâte dans le plat souhaité dans le tiroir-réchaud froid et badigeonner légèrement le dessus de la pâte avec de l'huile. Couvrir la pâte avec un linge sans la compresser.

- Appuyer sur **PROOF (APPRÊT)**.

- Régler la minuterie de maintien au chaud.
- Vérifier la hauteur de la pâte. Faire chauffer autant que nécessaire.

Redonner leur croquant aux articles rassis

Disposer les aliments dans des plats ou ustensiles à rebords peu élevés.

- Appuyer sur **LOW (BAS)**.
- Préchauffer le tiroir-réchaud pendant 5 minutes, puis y mettre le plat.
- Régler la minuterie de maintien au chaud.
- Vérifier si les aliments sont croustillants au bout de 45 minutes. Faire chauffer autant que nécessaire.

Tirer le meilleur parti de votre appareil

Recommandations relatives à la température

Aliments/Batterie de cuisine	Paramètre	Couvrir le plat
Apprêt de la pâte à levure	APPRÊT	Oui
Bacon	ÉLEVÉ	Non
Bœuf, à point et bien cuit	MOY	Non
Bœuf, saignant	BAS	Non
Pain, petits pains	MOY	Non
Pain, petits pains au lait, brioches	MOY	Oui
Biscotines	MOY	Oui
Ragoûts	MOY	Oui
Œufs	MOY	Oui
Poisson, fruits de mer	MOY	Oui
Aliments frits	ÉLEVÉ	Non
Sauce au jus de viande, sauces à la crème	MOY	Oui
Jambon	MOY	Oui
Pancakes (crêpes américaines)	ÉLEVÉ	Oui
Tartes, un fond	MOY	Oui
Tartes, deux fonds	MOY	Non
Pizza	ÉLEVÉ	Non
Porc	MOY	Oui
Pommes de terre, au four	ÉLEVÉ	Oui
Pommes de terre, en purée	MOY	Oui
Volaille, rôtie	MOY	Oui
Légumes	MOY	Oui
Assiettes	BAS	Non
Assiette repas	MOY	Oui

Nettoyage et entretien

Nettoyage

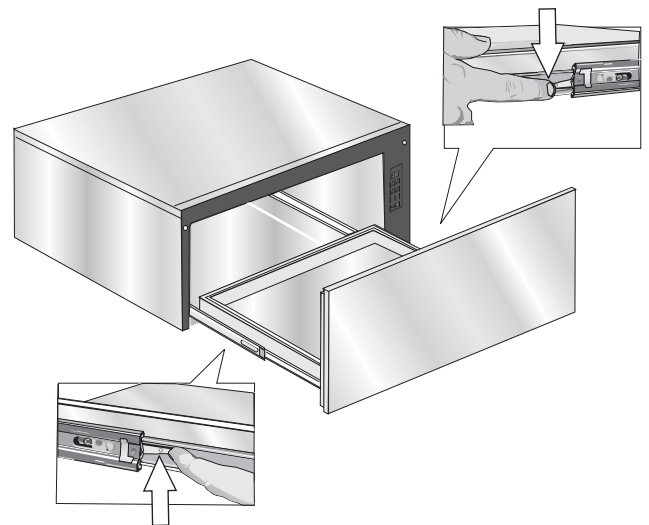
Pièce	Recommandations
Intérieur du tiroir (acier inoxydable poli)	Utiliser un détergent vaisselle. Laver, rincer et sécher. Pour les taches d'eau dure ou le tartre, utiliser du vinaigre blanc. Appliquer à l'aide d'une éponge ou d'un chiffon, rincer et sécher.
Surfaces peintes	Utiliser de l'eau savonneuse chaude ou des nettoyants doux tel Fantastik® ou Formula 409®. Laver, bien rincer et sécher. Éviter d'utiliser des agents nettoyants abrasifs, les tampons métalliques à récurer et les produits à nettoyer les fours.
Châssis extérieur du tiroir (acier inoxydable brossé)	Toujours essuyer ou frotter dans le sens du grain. Nettoyer avec une éponge savonneuse puis rincer et sécher, ou essuyer avec du Fantastik® ou Formula 409® vaporisé sur du papier essuie-tout. Protéger et polir en utilisant du Stainless Steel Magic® et un chiffon doux. Éliminer les taches d'eau à l'aide d'un chiffon humecté de vinaigre blanc. Utiliser Bar Keeper's Friend® pour éliminer la décoloration due à la chaleur.
Panneau de commande du tiroir-réchaud	Nettoyer avec de l'eau savonneuse chaude ou appliquer du Fantastik® ou du Formula 409® sur une éponge propre ou du papier essuie-tout et essuyer. Éviter d'utiliser des produits d'entretien abrasifs et des tampons à récurer.

Entretien

Démontage du tiroir

⚠ ATTENTION

Pour éviter le risque de brûlure, ne pas enlever le tiroir tant qu'il est chaud. S'assurer que le tiroir est vide avant de l'enlever.



1. Tirer sur le tiroir jusqu'à son ouverture complète.
2. Appuyer sur l'agrafe droite du tiroir.
3. Relever l'agrafe gauche du tiroir.
4. Tirer fermement le tiroir d'un coup sec. Rentrer les glissières du placard une fois le tiroir retiré.

Remise en place du tiroir

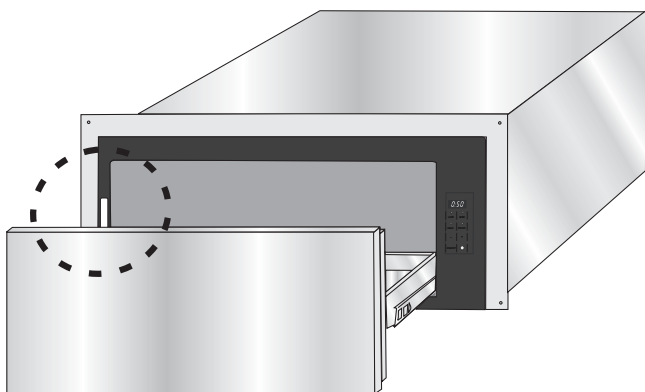
1. S'assurer que les rails de l'armoire sont enfoncés à l'intérieur de celle-ci.
2. Aligner les rails du tiroir avec ceux de l'armoire.
3. Pousser fermement le tiroir à l'intérieur de l'armoire jusqu'à ce qu'il s'enclenche et se mette en place.
4. Ouvrir et fermer le tiroir pour en tester le fonctionnement. Remarque : Si le tiroir ferme mal, vérifier que les agrafes des rails sont bien installées.

Dépannage

Pour contacter un technicien de dépannage, consultez les coordonnées sur la couverture avant du manuel. Lorsque vous téléphonez, soyez prêt à fournir les informations imprimées sur la plaque signalétique de votre produit.

Plaque signalétique

La plaque signalétique comporte le numéro de modèle et le numéro de série. Se reporter à la plaque signalétique de l'appareil électroménager pour faire une demande de dépannage. La plaque signalétique est apparente sur le côté gauche de l'armoire. Il pourra falloir enlever le tiroir pour apercevoir la plaque signalétique.



ÉNONCÉ DE GARANTIE LIMITÉE DU PRODUIT

Couverture de la garantie et à qui elle s'applique

La garantie limitée fournie par BSH Home Appliances Bosch dans le présent énoncé de garantie limitée du produit s'applique seulement à l'appareil Bosch qui vous est vendu, le premier acheteur à l'utiliser, à la condition que le produit ait été acheté :

- pour votre usage domestique (non commercial) normal et qu'il ait effectivement, en tout temps, été utilisé à des fins domestiques normales;
- à l'état neuf au détail (et non comme un modèle d'exposition, « en l'état », ou préalablement retourné), et non pour la revente ou l'utilisation commerciale;
- aux États-Unis ou au Canada, et qu'il soit en tout temps demeuré dans le pays de l'achat d'origine.

Les garanties énoncées aux présentes s'appliquent uniquement au premier acheteur du Produit et ne sont pas cessibles.

Assurez-vous de retourner votre carte d'enregistrement; quoique que cela ne soit pas nécessaire pour que la couverture de la garantie prenne effet, c'est le meilleur moyen pour que Bosch puisse vous prévenir dans l'éventualité improbable d'un avis de sécurité ou d'un rappel de produit.

Durée de la garantie

Bosch garantit que le Produit est exempt de défauts de matériaux et de fabrication pendant une période de trois cent soixante-cinq (365) jours à compter de la date d'achat. Cette période commence à courir à partir de la date d'achat et ne sera pas retardée, restreinte, prolongée ni suspendue pour quelque raison que ce soit.

Ce Produit est également garanti contre tout défaut de matériau et de fabrication apparent (tels les éraflures sur l'acier inoxydable, les défauts d'aspect de la peinture ou de la porcelaine, les ébréchures, les bosselures, ou autres dégâts au fini du Produit), pendant une période de trente (30) jours à compter de la date d'achat ou de la date de clôture pour une nouvelle construction. Cette garantie relative à l'apparence exclut les légères variations de couleur découlant des différences inhérentes aux pièces peintes et en porcelaine, ainsi que découlant des différences causées par l'éclairage de cuisine, l'emplacement du produit ou d'autres facteurs similaires. Cette garantie relative à l'apparence exclut plus particulièrement tout appareil électroménager en

exposition, de sol, « en l'état » ou de stock « B ».

La réparation ou le remplacement du Produit comme recours exclusif

Pendant cette période de garantie, Bosch ou l'un de ses prestataires de services agréés réparera le produit sans frais de votre part (sous réserve de certaines limitations énoncées aux présentes) s'il s'avère que la fabrication de votre produit présente un défaut de matière ou de fabrication. Si des tentatives raisonnables de réparation du produit ont été faites sans succès, alors Bosch remplacera le produit (des modèles mis à niveau peuvent être mis à votre disposition), à la seule discrétion de Bosch, moyennant des frais supplémentaires). Tout composant ou pièce enlevés deviennent la propriété de Bosch, à sa seule option. Toute pièce remplacée et/ou réparée doit assumer l'identité de la pièce d'origine aux fins de la présente garantie, et cette dernière ne sera pas prolongée au regard de ces pièces. La seule obligation et responsabilité de Bosch en vertu des présentes est de réparer seulement le produit présentant un défaut de fabrication, par l'entremise d'un prestataire de services agréé Bosch aux heures normales de travail. Pour des questions de sécurité et de dommages à la propriété, Bosch recommande vivement de ne pas tenter de réparer soi-même le produit, ni d'utiliser un service de réparation non autorisé. Bosch décline toute responsabilité pour les réparations ou le travail effectués par un service de réparation non autorisé. Si vous choisissez de faire réparer le produit par une personne autre qu'un prestataire de services agréé, CETTE GARANTIE DEVIENDRA AUTOMATIQUEMENT NULLE ET NON AVENUE. Les prestataires de services agréés sont des personnes ou des compagnies qui ont été spécialement formées pour les produits Bosch et qui possèdent, de l'avis de Bosch, une excellente réputation pour le service à la clientèle et des aptitudes techniques (il est à noter qu'il s'agit d'entités indépendantes et non d'agents, partenaires, affiliés ou représentants de Bosch). Néanmoins, Bosch n'assumera aucune responsabilité ou obligation à l'égard du produit s'il est situé dans une région éloignée (plus de 100 miles (160,9 km) d'un prestataire de services agréé) ou s'il est raisonnablement inaccessible ou à un endroit, dans une zone ou dans un environnement dangereux, menaçants ou hasardeux; dans un tel cas, si vous en faites la demande, Bosch pourrait payer les frais de main-d'œuvre et de pièce et expédier les pièces au prestataire de service agréé le plus proche, mais vous seriez quant même entièrement responsable pour tout déplacement ou autres frais spéciaux requis par le service de réparation, à supposer qu'il accepte d'effectuer un appel de service.

Produit qui n'est plus couvert par la garantie

Bosch n'est nullement tenu, en droit ou autrement, de vous offrir toute concession, y compris réparations, tarifs proportionnels ou remplacement de Produit, une fois la garantie expirée.

Exclusions de la garantie

La couverture de garantie décrite aux présentes exclut tout défaut ou dommage ne découlant pas d'une faute directe de Bosch, y compris sans limitation, un ou plusieurs des cas suivants :

- utilisation du produit d'une façon autre que normale, habituelle et prévue (y compris, sans limitation, toute forme d'utilisation commerciale, utilisation ou rangement d'un produit pour l'intérieur à l'extérieur, utilisation du Produit avec des aéronefs ou bateaux);
- mauvaise conduite volontaire de toute partie, conduite négligente, mauvaise utilisation, abus, accidents, négligence, exploitation irrégulière, manquement à l'entretien, installation inadéquate ou négligée, altération, manquement à observer les instructions de fonctionnement, manipulation sans précaution, service non autorisé (y compris le « bricolage » fait soi-même ou l'exploration du fonctionnement interne de l'appareil).
- réglage, altération ou modification de toute sorte;
- manquement à se conformer à tous les codes électriques, de plomberie et/ou de construction de l'état, locaux, municipaux ou du comté, règlements ou lois en vigueur, y compris le manquement à installer le produit strictement en conformité avec les codes et règlements d'incendie et de construction locaux;
- usure et détérioration normales, déversements d'aliments, liquides, accumulation de graisse, ou autres substances accumulées sur, dans ou autour du produit;
- et toute force et facteur externes, élémentaires et/ou environnementaux, y compris sans limitation, pluie, vent, sable, inondations, incendies, glissements de terrain, gel, humidité excessive ou exposition prolongée à l'humidité, foudre, surtensions, défauts de structure environnante de l'appareil, et catastrophes naturelles.

En aucun cas BSH n'assumera la moindre responsabilité pour des dommages survenus à la propriété environnante, y compris armoires, planchers, plafonds et autres structures ou objets autour du produit. Sont également exclus de la présente garantie les Produits dont les numéros de série ont été modifiés, effacés ou enlevés; les visites après-vente pour vous enseigner à utiliser le Produit, ou les déplacements lorsque le Produit ne présente aucun problème; la correction de problèmes

d'installation (vous êtes entièrement responsable de toute structure et réglage du Produit, y compris électricité, plomberie ou autres services utilitaires, pour un plancher/ des fondations appropriés et pour toute modification y compris, sans limitation, armoires, murs, planchers, étagères, etc.); et la remise en fonction des coupe-circuits ou fusibles.

DANS LA MESURE OU LA LOI LE PERMET, LA PRÉSENTE GARANTIE ÉNONCE VOS RECOURS EXCLUSIFS À L'ÉGARD DU PRODUIT, QUE LA RÉCLAMATION SOIT DE NATURE CONTRACTUELLE OU DÉLICTUELLE (Y COMPRIS LA RESPONSABILITÉ ABSOLUE OU LA NÉGLIGENCE) OU AUTRE. LA PRÉSENTE GARANTIE REMPLACE TOUTES LES AUTRES GARANTIES, EXPRESSES OU IMPLICITES. TOUTE GARANTIE IMPLICITE EN VERTU DE LA LOI, QUE CE SOIT À DES FINS DE QUALITÉ MARCHANDE OU D'ADAPTATION À UN BUT PARTICULIER, OU AUTREMENT, EST EN VIGUEUR UNIQUEMENT PENDANT LA PÉRIODE AU COURS DE LAQUELLE LA PRÉSENTE GARANTIE LIMITÉE EXPRESSE EST EN VIGUEUR. LE FABRICANT NE SERA EN AUCUN CAS RESPONSABLE DES DOMMAGES, PERTES OU FRAIS CONSÉCUTIFS, PARTICULIERS, ACCESSOIRES, INDIRECTS, ET/OU PUNITIFS, DES PERTES COMMERCIALES, Y COMPRIS, NOTAMMENT, LE TEMPS D'ABSENCE AU TRAVAIL, L'HÉBERGEMENT ET/OU LES REPAS AU RESTAURANT, LES FRAIS DE REMANIEMENT EN EXCÉDENT DES DOMMAGES DIRECTS QUI SONT MANIFESTEMENT CAUSÉS EXCLUSIVEMENT PAR BOSCH OU AUTREMENT. CERTAINS ÉTATS NE PERMETTENT PAS L'EXCLUSION OU LA LIMITATION DES DOMMAGES ACCESSOIRES OU INDIRECTS ET CERTAINS ÉTATS NE PERMETTENT PAS LA LIMITATION SUR LA DURÉE D'UNE GARANTIE IMPLICITE, DE SORTE QUE LES LIMITATIONS CI-DESSUS PEUVENT NE PAS S'APPLIQUER À VOTRE CAS. LA PRÉSENTE GARANTIE VOUS DONNE DES DROITS JURIDIQUES SPÉCIFIQUES ET VOUS POUVEZ AVOIR ÉGALEMENT D'AUTRES DROITS QUI VARIENT D'UN ÉTAT À L'AUTRE.

Aucune tentative d'altération, de modification ou d'amendement de la présente garantie ne peut prendre effet à moins de l'autorisation écrite d'un représentant de BSH.



BOSCH

Invented for life