

Integrated Dishwasher, 24", Sanitize

Series 7 | Integrated

Panel Ready

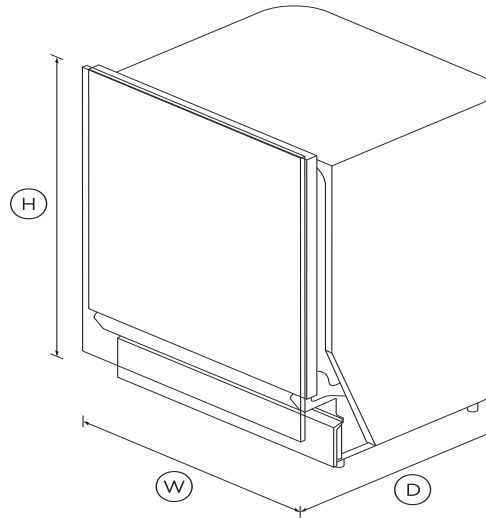


Offering a superior wash performance, this Dishwasher is panel ready and designed to be integrated into your kitchen for a seamless look.

- Customize with your own front panel and handle to match your kitchen cabinetry
- Six wash programs to suit any load, from Delicate to Heavy
- Quick, Sanitize and Extra Dry provide extra wash options
- Flexible racking allows you to customise internal shelves to suit your needs

DIMENSIONS

Height	32 1/4"
Width	23 9/16"
Depth	21 3/4"



FEATURES & BENEFITS

Sized to suit

Install this fully integrated dishwasher to tall (American size) or short (Euro/ADA size) counter heights, ensuring minimal gaps. Customize with a front panel to match kitchen cabinetry.

A quality wash

This dishwasher offers seven wash programs including Auto, which automatically senses the optimal wash cycle for your dishes. The three stage filtration system delivers a superior clean, while the rinse aid indicator reminds you to top up for squeaky-

clean dishes.

Flexible stacking

Designed to fit 14 place settings, the flexible, adjustable storage lets you stack even large items with ease - featuring a full width cutlery tray, height adjustable middle rack, cup holders and wine glass supports.

Quick, Sanitize and Extra Dry options

A Quick wash modifier results in a faster clean, while maintaining wash performance. The Sanitize option provides extra protection killing 99.9% of bacteria in the final rinse. The Extra Dry setting is perfect for plastic dishes.

Quiet and Reliable

Running at a very low decibel rating, this dishwasher does its job without making a fuss. The combination of clever technology and simple mechanics means greater reliability and superior wash performance.

Efficient performance

This dishwasher is very efficient in its use of water and energy, while delivering a powerful wash that ensures optimal results.

SPECIFICATIONS

Accessories

Kickstrip	Black
-----------	-------

Capacity and loading

Accommodates round plates	10 1/4"
Fold down tines	•
Pitch adjustable tines	•
Place settings	14

Controls

Child lock	•
------------	---

- End of cycle beeps •
- Energy saving delay start •
- Rinse aid indicator light •

Features

- Quiet operation •

Power requirements

Amperage **10A**

Product dimensions

Depth **21 ³/₄ "**
 Height **32 ¹/₄ "**
 Width **23 ⁹/₁₆ "**

Warranty

Parts and labor **2 years**

Wash programs

- Delicate •
- Extra Dry •
- Fast **Yes**
- Heavy •
- Medium **Yes**
- Number of wash programs **10**
- Quick •
- Rinse •
- Sanitise •
- Wash modifiers **4**

Water connection

Water pressure **0.03 - 1**

SKU **81872**


The product dimensions and specifications in this page apply to the specific product and model. Under our policy of continuous improvement, these dimensions and specifications may change at any time. You should therefore check with Fisher & Paykel's Customer Care Centre to ensure this page correctly describes the model currently available. © Fisher & Paykel Appliances Ltd 2019.

Other product downloads available at fisherpaykel.com

 [Quick Start Guide](#)

 [User Guide](#)

 [Service & Warranty Booklet](#)

 [Installation Guide](#)



A PEACE OF MIND SALE

24 Hours 7 Days a Week Customer Support

T 1300 650 590 W www.fisherpaykel.com