

SAMSUNG

Product Guide

6.3 cu. ft. Smart Freestanding Electric Range with Steam Clean

NE63A6111

Available in:
Stainless Steel
Black
White



Table of Contents

NE63A6111 - 6.3 cu. ft. Smart Freestanding Electric Range with Steam Clean

Product Overview

Product Overview	4
Carousel Image Order	5

Product Messaging

Features and Benefits	7
-----------------------	---

Product Specs

Related Products	11
Spec Sheet	12
User Manual	13

Feature Icons

15

Product Overview

NE63A6111 – 6.3 cu. ft. Smart Freestanding Electric Range with Steam Clean

Product Overview

Product Title

6.3 cu. ft. Smart Freestanding Electric Range with Steam Clean

Product Short Description (86 characters)

Elevate the look of your kitchen with Samsung's new Smart Freestanding Electric Range.

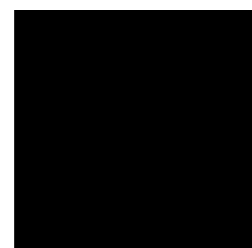
Product Long Description (239 characters)

Elevate the look of your kitchen with Samsung's new Smart Freestanding Electric Range. Our Stainless Steel design elegantly wraps around cooktop sides and up through the slim control panel. Upgraded technology makes cooking simple and fun.

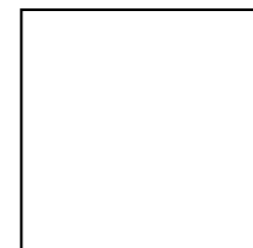
Available Colors



Stainless Steel
NE63A6111SS



Black
NE63A6111SB



White
NE63A6111SW



Carousel Image Order

Easy Ad Links: NE63A6111SS

R.COM <https://dam.gettyimages.com/p/z0c3461/external?q=NE63A6111SS%20Carousel%20RCOM>

S.COM <https://dam.gettyimages.com/p/z0c3461/external?q=NE63A6111SS%20Carousel%20SCOM>




360 Spin <https://dam.gettyimages.com/p/z0c3461/external?q=NE63A6111SS%20360>






Product Messaging

NE63A6111 – 6.3 cu. ft. Smart Freestanding Electric Range with Steam Clean



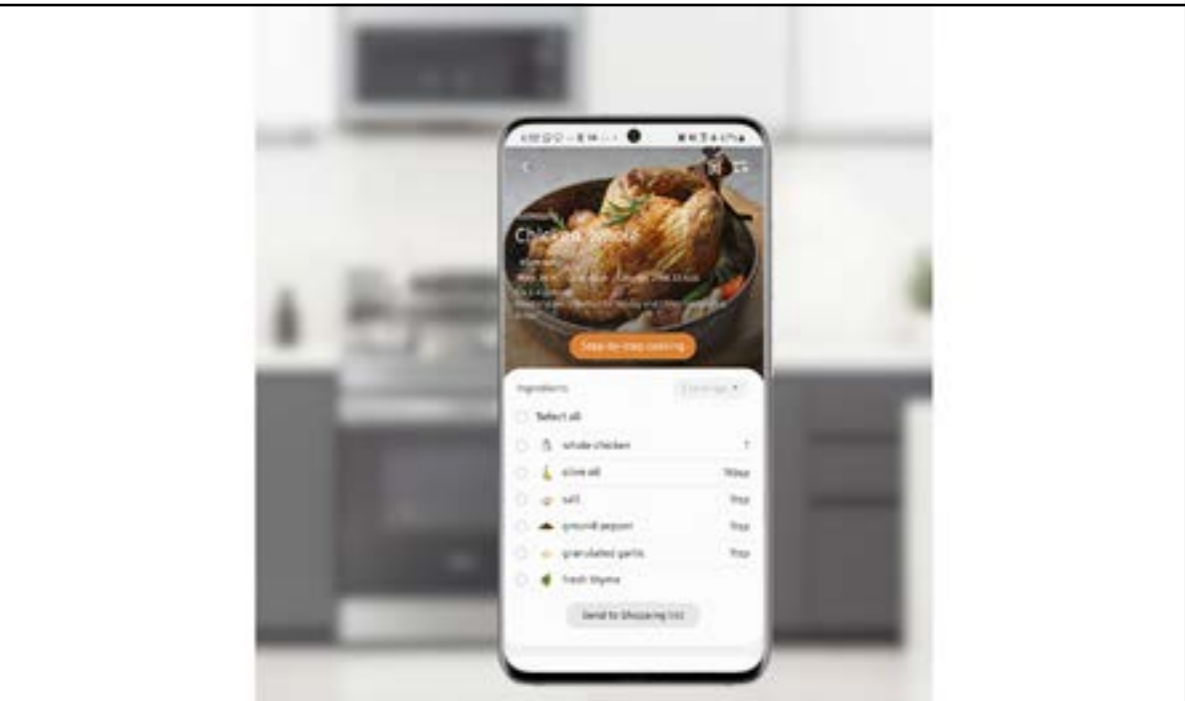
Features and Benefits – NE63A6111

Overall Product Headline	Feature Name	Long Body Copy	Short Body Copy	Associated Image
Elevated Design	Stainless Steel Design	Our Stainless Steel design elegantly wraps around the cooktop sides and up through the slim control panel, elevating the look of any kitchen. Ergonomic knobs are easy to grip comfortably for precise temperature control.	Our Stainless Steel design elegantly wraps around the cooktop sides and up through the slim control panel, elevating the look of any kitchen.	
Make cooking simple with smart technology	Wi-Fi and Voice Control	Preheat, adjust time and temperature of your oven, and monitor your cooktop from wherever you are with your smartphone.* Conveniently use voice to control your oven whether it's Alexa, Bixby or Google.** <small>*Available on Android or IOS devices. A Wi-Fi connection and a Samsung account are required. ** Bixby is Samsung's brand of artificial intelligence (AI)/Internet of Things (IOT) voice assistant.</small>	Preheat, monitor and adjust time and temperature of your oven from wherever you are using your smartphone.* <small>*Available on Android or IOS devices. A Wi-Fi connection and a Samsung account are required.</small>	
More family time, less cleaning	Steam Clean	Steam Clean your oven in 20 minutes for easier cleaning jobs.	Steam Clean your oven in 20 minutes.	

Features and Benefits – NE63A6111

Overall Product Headline	Feature Name	Long Body Copy	Short Body Copy	Associated Image
<p>Cook enough for the whole crew</p>	<p>Large Oven Capacity</p>	<p>This large 6.3 cu. ft. oven can fit multiple dishes at one time and can easily accommodate big casserole dishes and large roasting pans.</p>	<p>This large 6.3 cu. ft. oven can fit multiple dishes at one time.</p>	
<p>A cooktop that gets it all done!</p>	<p>Flexible 4-Burner Cooktop</p>	<p>This 4-burner cooktop includes 2 adjustable dual ring burners so you can cook with a variety of pot and pan sizes.</p>	<p>This 4-burner cooktop includes 2 adjustable dual ring burners.</p>	
<p>Cooking simplified with easy preset buttons</p>	<p>Bread Proof, Keep Warm and Favorite Cook Settings</p>	<p>Prepare a variety of foods with the aid of easy preset buttons. With a simple push of a button, you can proof bread and keep meals warm in the oven with precision. And if you have a favorite recipe, conveniently save the settings in the SmartThings mobile app and send them to your oven.*</p> <p><small>*Available on Android or IOS devices. A Wi-Fi connection and a Samsung account are required.</small></p>	<p>Prepare foods with the aid of easy preset buttons. Three preset buttons include: Bread Proof, Keep Warm and Favorite Cook.</p>	

Features and Benefits – NE63A6111

Overall Product Headline	Feature Name	Long Body Copy	Short Body Copy	Associated Image
<p>Cleaning is seamless</p>	<p>Hidden Bake Element</p>	<p>The Hidden Bake element at the bottom of the oven provides a seamless cavity making it easy to clean.</p>	<p>Makes cleaning your oven easy with a seamless cavity interior.</p>	
<p>Extra space for your cookware</p>	<p>Storage Drawer</p>	<p>The Storage Drawer provides extra space to keep bakeware or oven accessories. Simply grab a bowl within easy reach to serve food in.</p>	<p>The Storage Drawer provides extra space to keep bakeware or oven accessories.</p>	
<p>Cooking with a personalized touch</p>	<p>SmartThings Cooking</p>	<p>Samsung's SmartThings Cooking service* makes meal planning a seamless process. Search, plan, purchase and prep weekly meals via the SmartThings app on your Family Hub™ or smartphone. SmartThings Cooking recommends personalized recipes based on preferences, what's on hand and recipe search history so you can plan meals for your family more efficiently. Download the SmartThings app to create shopping lists and add missing ingredients directly to your grocery cart for at home delivery.</p> <p><small>*Available on Android or IOS devices. A Wi-Fi connection and a Samsung account are required.</small></p>	<p>Search recipes, plan meals, and add any missing ingredients to your grocery cart for at-home delivery with SmartThings Cooking.*</p> <p><small>*Available on Android or IOS devices. A Wi-Fi connection and a Samsung account are required.</small></p>	

Product Specs

NE63A6111 – 6.3 cu. ft. Smart Freestanding Electric Range with Steam Clean

Related Products

COLOR	PRODUCT	MODEL
Stainless Steel	OTR	ME17R7021ES
	DISH	DW80R2031US
	REF	RS27T5200SR
Black	OTR	ME17R7021EB
	DISH	DW80R2031UB
White	OTR	ME17R7021EW
	DISH	DW80R2031UW
	REF	RS27T5200WW

Spec Sheet

Easy Ads link

<https://dam.gettyimages.com/p/z0c3461/external?q=NE63A6111SS%20Spec%20Sheet>

NE63A6111SS

Samsung Smart Freestanding Electric Range with Steam Clean

6.3 cu. ft. Capacity



Signature Features

Easy to Clean

- Steam Clean quickly cleans your oven in 20 minutes, while the hidden bake element makes cleaning your oven easy with a seamless cavity interior.

Large Oven Capacity

- This large 6.3 cu. ft. oven can fit multiple dishes at one time.

Flexible Cooktop

- This 4-burner cooktop includes 2 adjustable dual ring burners.

SAMSUNG

Available Colors

- Stainless Steel (shown)
- Black
- White



Easy to Clean



Large Oven Capacity

Features

- Stainless Steel Design
- Large Oven Capacity – 6.3 cu. ft.
- Extra Oven Settings – Bread Proof, Favorite Cook, Keep Warm
- Storage Drawer

Flexibility

- Flexible Cooktop: Four Burner Cooktop
- Two Dual Burners (6"/9")
- Two Single Burners (6")

Convenience

- Wi-Fi Connectivity
- Voice-Enabled
- SmartThings Cooking
- Steam Clean
- Hidden Bake Element
- Sabbath Mode
- Child Safety Lock
- Delay Start
- Auto Oven Light
- Kitchen Timer



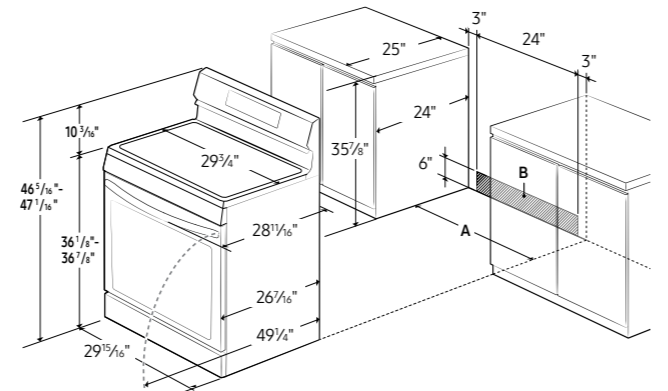



NE63A6111SS

Samsung Smart Freestanding Electric Range with Steam Clean

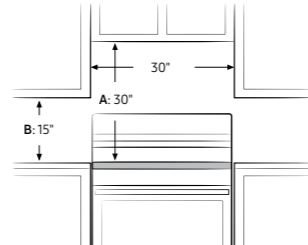
6.3 cu. ft. Capacity

Installation Specifications



A: Cabinet opening min 30"
B: Acceptable electrical outlet area

IMPORTANT: If your cabinets are over 36 1/4" high, you must install this range on a hard, heat-resistant support that raises the surface of the range so that it is about even with the countertop.



A: 30" minimum clearance between the top of the cooking surface and the bottom of an unprotected wood or metal cabinet; or 24" minimum when the bottom of the wood or metal cabinet is protected by not less than 1/4" of flame retardant millboard covered with not less than no.28 MSG sheet steel, 0.015" stainless steel, 0.024" aluminum, or 0.020" copper.

B: 15" minimum between the countertop and the adjacent cabinet bottom.

IMPORTANT: Consult with Installation Manual for detailed instructions before installing. All ranges must be installed with the Anti-Tip device that is included.

SAMSUNG

Power Source
240V/208V/60 Hz/40A

Electric Cooktop

- Right Front: 6 7/9" Dual Ring Burner, 3300 W
- Left Front: 6 7/9" Dual Ring Burner, 3300 W
- Right Rear: 6" Burner, 1200 W
- Left Rear: 6" Burner, 1200 W

Oven

- Capacity: 6.3 cu. ft.
- Bake
- Variable Broil: Low/High
- Bread Proof

Warranty
One (1) Year Parts and Labor


Product Dimensions & Weight (WxHxD)
Oven Interior Dimensions:
24 13/16" x 22 7/16" x 19 3/4"
Outside Net Dimensions:
29 1/16" x 46 7/16" - 47 1/16" (Adjustable) x 28 1/16"
Weight: 131 lbs

Shipping Dimensions & Weight (WxHxD)
Dimensions:
33 1/16" x 50 7/16" x 30 3/16"
Weight: 154 lbs

Color	Model #	UPC Code
Stainless Steel	NE63A6111SS	887276509358
Black	NE63A6111SB	887276509341
White	NE63A6111SW	887276509372

Color

- Stainless Steel
- Black
- White



Actual color may vary. Design, specifications, and color availability are subject to change without notice. Non-metric weights and measurements are approximate.
©2021 Samsung Electronics America, Inc. 85 Challenger Road, Ridgefield Park, NJ 07660. Tel: 800-SAMSUNG. samsung.com. Samsung is a registered trademark of Samsung Electronics Co., Ltd.

Spec Sheet - front

Spec Sheet - back

User Manual

Easy Ads link

<https://dam.gettyimages.com/p/z0c3461/external?q=NE63A6311SS%20User%20Manual>

<https://dam.gettyimages.com/p/z0c3461/external?q=NE63A%20warranty>



Electric Range

User manual

NE63*611*S*

User Manual

Warranty (U.S.A) – SAMSUNG ELECTRIC RANGE

Models:
NE63A6111/AA
NE63A6311/AA
NE63A6511/AA
NE63A6711/AA

LIMITED WARRANTY TO ORIGINAL PURCHASER WITH PROOF OF PURCHASE

This SAMSUNG brand product, as supplied and distributed by SAMSUNG ELECTRONICS AMERICA, INC. (SAMSUNG) and delivered new, in the original carton to the original consumer purchaser, is warranted by SAMSUNG against manufacturing defects in materials or workmanship for the limited warranty period, starting from the date of original purchase, of:

One (1) Year Parts and Labor

This limited warranty is valid only on products purchased and used in the United States that have been installed, operated, and maintained according to the instructions attached to or furnished with the product. To receive warranty service, the purchaser must contact SAMSUNG at the address or phone number provided below for problem determination and service procedures. Warranty service can only be performed by a SAMSUNG authorized service center. The original dated bill of sale must be presented upon request as proof of purchase to SAMSUNG or SAMSUNG's authorized service center to receive warranty service.

SAMSUNG will provide in-home service within the contiguous United States during the warranty period at no charge, subject to availability of SAMSUNG authorized servicers within the customer's geographic area. If in-home service is not available, SAMSUNG may elect, at its option, to provide transportation of the product to and from an authorized service center. If the product is located in an area where service by a SAMSUNG authorized servicer is not available, you may be responsible for a trip charge or required to bring the product to a SAMSUNG authorized service center for service.

To receive in-home service, product must be unobstructed and accessible to the service agent.

During the applicable warranty period, a product will be repaired, replaced, or the purchase price refunded, at the sole option of SAMSUNG. SAMSUNG may use new or reconditioned parts in repairing a product, or replace the product with a new or reconditioned product. Replacement parts and products are warranted for the remaining portion of the original product's warranty or ninety (90) days, whichever is longer. All replaced parts and products are the property of SAMSUNG and you must return them to SAMSUNG.

This limited warranty covers manufacturing defects in materials or workmanship encountered in normal household, noncommercial use of this product and shall not cover the following: damage that occurs in shipment, delivery, installation, and uses for which this product was not intended; damage caused by unauthorized modification or alteration of the product; product where the original factory serial numbers have been removed, defaced, changed in any way, or cannot

Warranty

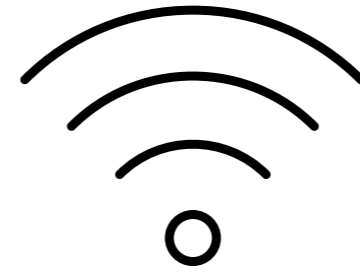
Feature Icons

NE63A6111 – 6.3 cu. ft. Smart Freestanding Electric Range with Steam Clean

Feature Icons



Elevated Design



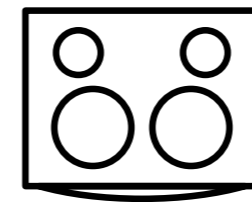
Wi-Fi Connectivity



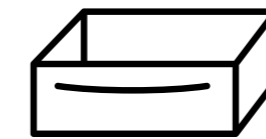
Steam Clean

6.3 cu.ft.

Large Oven Capacity



Flexible Cooktop



Storage Drawer

SAMSUNG