

INSTALLATION  
GUIDE

GUIDE  
D'INSTALLATION

GUIA DE  
INSTALACION

Model/Modele/Modelo

T24UR925RS

T24UR925LS

T24UR915RS

T24UR915LS

T24UR905RP

T24UR905LP

Glass Door Refrigerator

Verre Porte Frigo

Refrigerador Puerta de Vidrio

***Thermador***<sup>®</sup>

**IMPORTANT:** Before you begin, read these instructions completely and carefully.

**INSTALLER:** Please leave this manual with owner for future reference.

**OWNER:** Save these installation instructions for local electrical inspector's use and for future reference.

## Table of Contents

<b>Important Safety Instructions .....</b>	<b>3</b>
- Inspect the Glass Door Refrigerator	
<b>Tools needed for installation .....</b>	<b>4</b>
<b>Materials supplied .....</b>	<b>4</b>
<b>Installing the appliance .....</b>	<b>5</b>
- Transporting	
- General measures	
- Installation location	
- Installing Side-by-Side	
<b>Ventilation .....</b>	<b>9</b>
<b>Connecting the appliance .....</b>	<b>9</b>
- Electrical connection	
<b>Door opening .....</b>	<b>11</b>
<b>Installing the anti-tip-brackets .....</b>	<b>13</b>
<b>Installing the overlay frame .....</b>	<b>17</b>
<b>Customer Service Information .....</b>	<b>21</b>
<b>Addendum A .....</b>	<b>22</b>

## Important Safety Instructions

READ AND SAVE THESE INSTRUCTIONS!

**These installation instructions are intended for use by qualified installers.**

**In addition to these instructions, the appliance shall be installed:**

- In the United States, in accordance with the National Electric Code/State and municipal codes and/or local codes.
- In Canada, in accordance with the Canadian Electric Code C22.1 – latest edition/Provincial and Municipal codes and/or local codes.

**Be sure to observe all listed warnings and cautions.**

Look for the triangles with exclamation marks inside.



**WARNING:**

This indicates that death or serious injury may result due to non-observance of this warning.



**CAUTION:**

This indicates that minor or moderately severe injury may result due to non-observance of this warning.

**NOTE:**

This is used to draw the user's attention to something in particular.

### **State of California Proposition 65 Warnings**

This product may contain a chemical known to the State of California, which can cause cancer or reproductive harm. Therefore, the packaging of your product may bear the following label as required by California:



### **Important**

- **NEW INSTALLATION** – If the appliance is a new installation, most of the work must be done before the unit is moved into place.
- **REPLACEMENT** – If the appliance is replacing another appliance, the connections for the appliance being replaced **must be checked for compatibility** with the new unit and replaced as necessary.

### **Inspect the Glass Door Refrigerator**

Remove all tape, packaging and plastic covers.

After unpacking the appliance and prior to installation, thoroughly inspect the Glass Door Refrigerator for possible freight or cosmetic damage. Report any damage immediately.

**NOTE:** Please do not discard any bags or items that come with the original package until after the entire installation has been completed!

## Tools needed for installation



Tape Measure



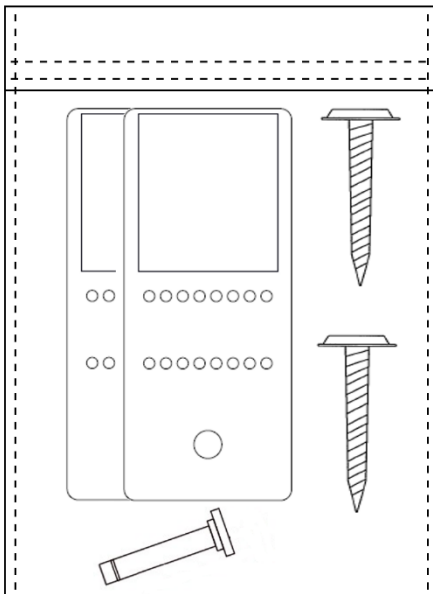
Philips Screwdriver



Level

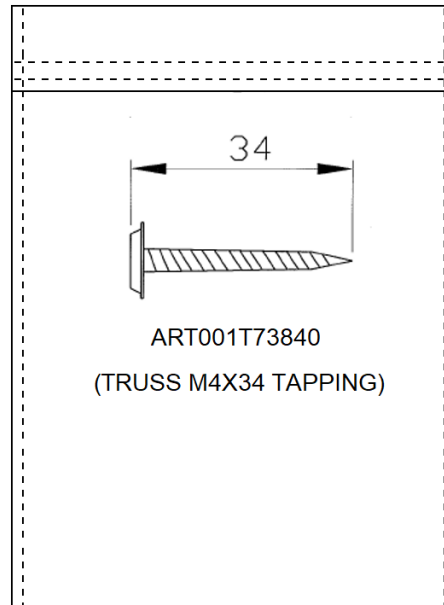
These are the tools that you may need for the installation of the appliance. However, if you need to modify the counter or cabinetry to fit the unit, you may need other tools to make counter/cabinetry modifications before installing the appliance.

## Materials supplied



Anti-tip-bracket. 2 pieces.  
Screws: 2 pieces.  
Door Stopper Pin: 1

1 Insulating Foam (Not  
illustrated) 20 1/2"  
(520mm) x 29 1/8" (740mm)  
x 1/8" (3mm)



Screws for Overlay Panel:  
ART001T73840 (TRUSS M4X34  
TAPPING). 8 pieces. **ONLY FOR  
T24UR905LP AND T24UR905RP  
MODELS.**

## Installing the appliance

Most of the installation work must be done before the Glass Door Refrigerator is moved into place. Have a qualified technician install and connect the appliance according to the enclosed installation instructions.



### WARNING:

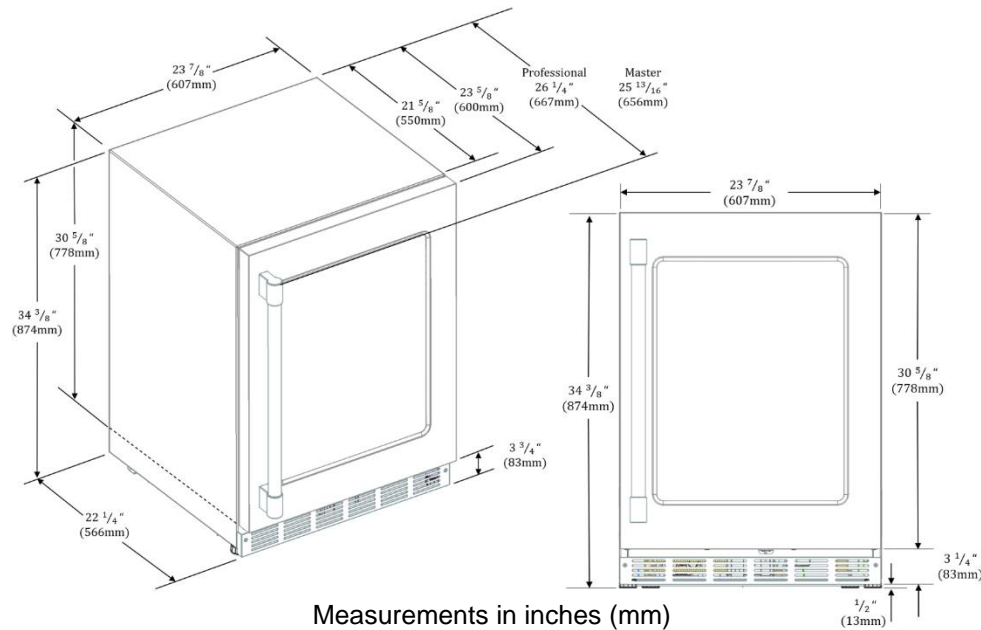
Do not install this appliance:

- Outdoors
- In an environment with dripping water
- In rooms where there is a risk of frost

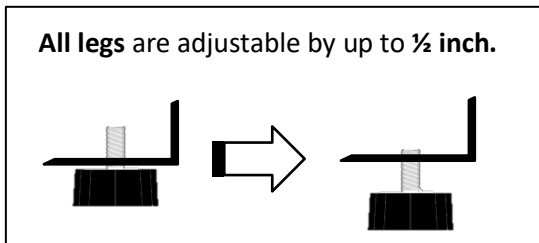
## Transporting

The appliance is heavy and must be handled with caution during transportation and installation. Because of the weight and dimensions of the appliance, at least two persons are necessary to move the appliance into position securely and avoid injuries to people or damage to the appliance.

## General measures



Note: With the legs fully retracted the appliance has a minimum dimension of 34 3/8" from top to bottom. The legs can be extended up to 1/2" (13mm).



## Installation location

A dry, well ventilated room is suitable as an installation location. The installation location should not be exposed to direct sunlight and not placed near a heat source, e.g. a cooker, radiator, etc.

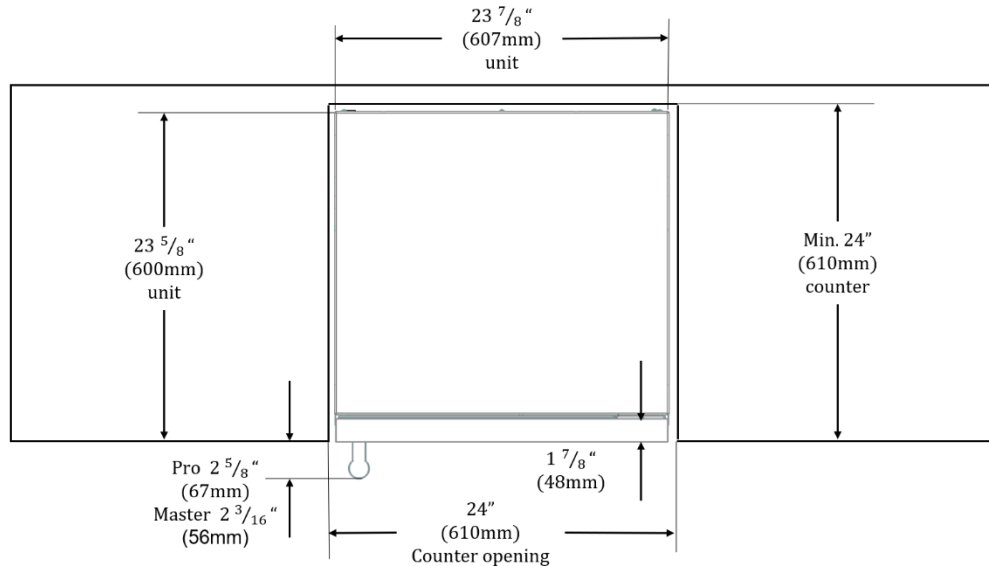
If installation next to a heat source is unavoidable, use a suitable insulating plate or observe the following minimum distance from the heat source:

- To electric or gas oven/range  $1\frac{1}{4}$ " (3 cm).
- To an oil or coal-fired cooker  $11\frac{13}{16}$ " (30cm).
- To another Refrigerator or Wine Reserve 1" (2.54cm).

The floor of the installation location must not give way; if necessary, reinforce floor. The appliance must be upright and level to function correctly.

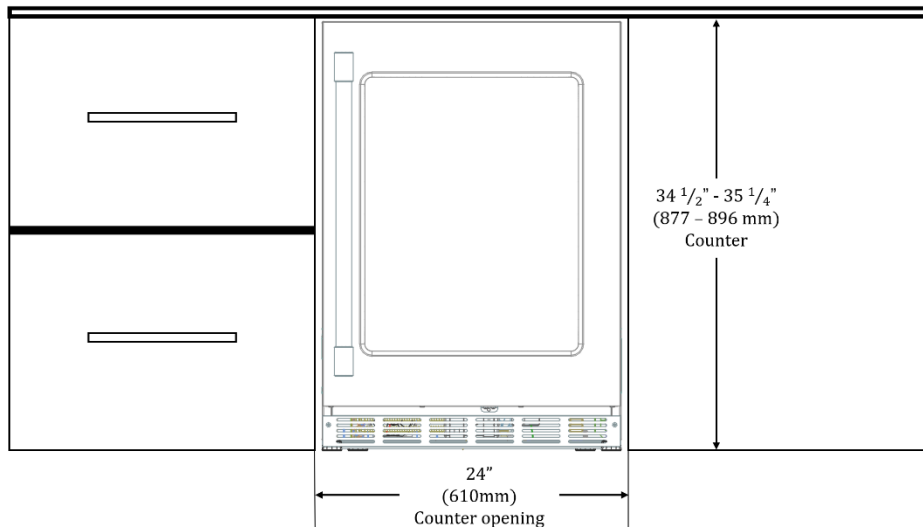
For proper operation and appearance of the unit, the cabinet opening should be square and have dimensions as shown in the next diagrams.

### TOP VIEW



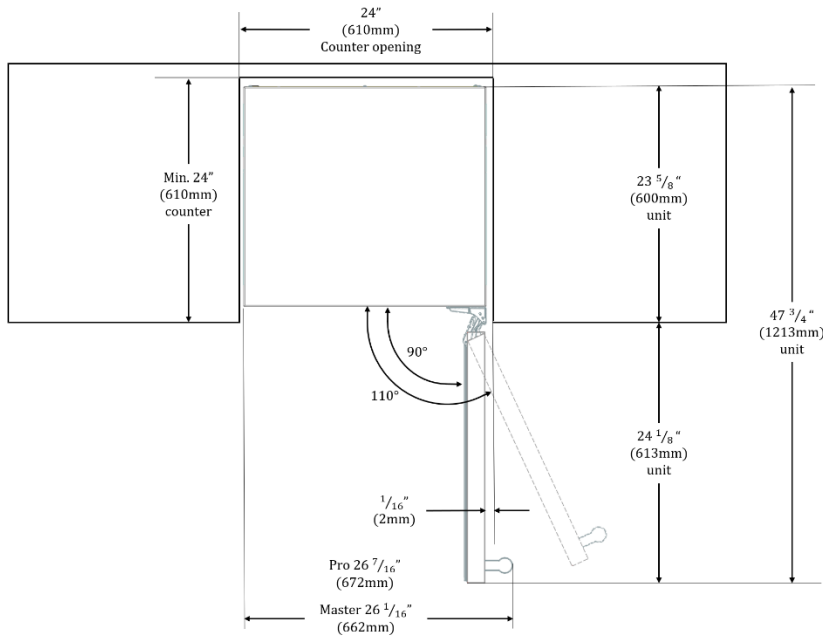
Measurements in inches (mm)

### FRONTAL VIEW



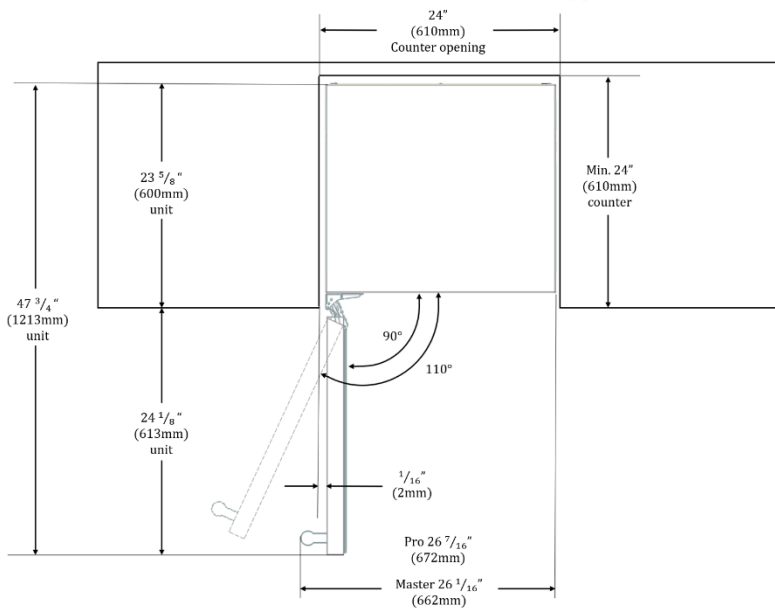
measurements in inches (mm)

**TOP VIEW OPEN RIGHT SWING**



Measurements in inches (mm)

**TOP VIEW OPEN LEFT SWING**

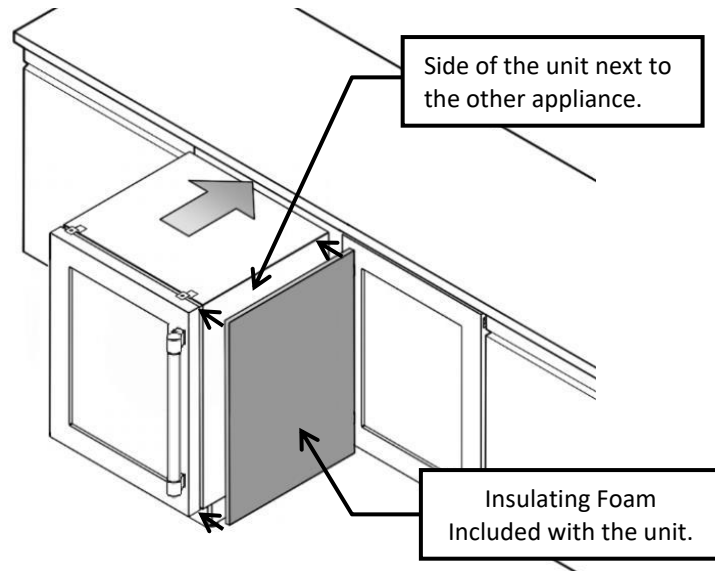


Measurements in inches (mm)

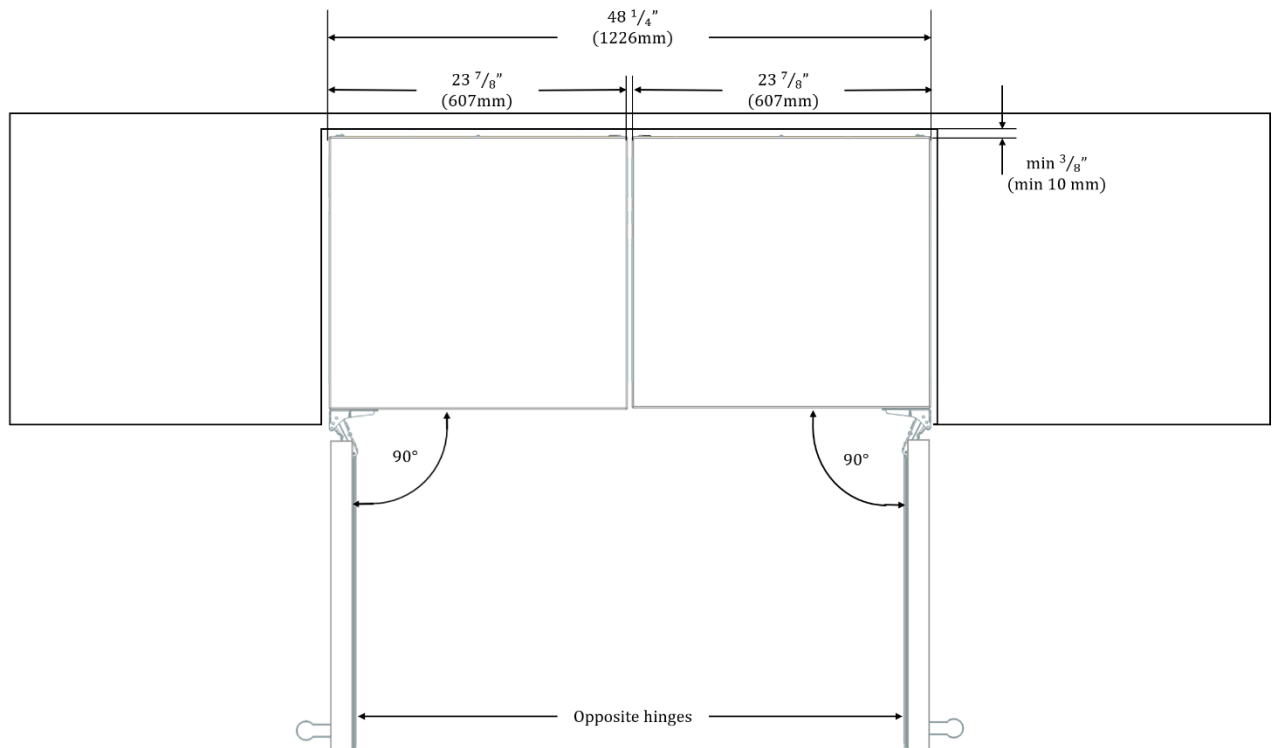
## Installing Side-by-Side

The appliance can be installed next to another Thermador appliance. Follow the next dimensions and notes for the correct installation of the appliance in a side-by-side layout.

**NOTE:** Before placing the unit into the niche, adhere the Insulating Foam (included with the product) on the side of the unit that will be placed next to the additional appliance. Be sure that the Insulating Foam is even with the surface of the unit and that there are no bubbles or bumps on the Insulation Foam after adhering it to the unit.

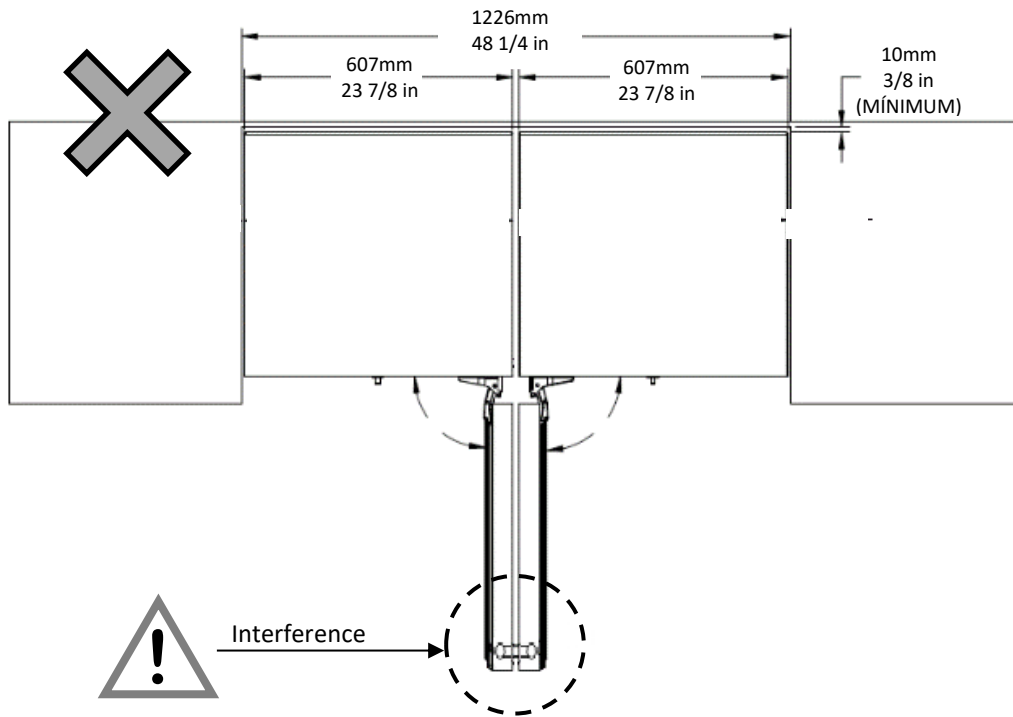


Install the appliances in a “French Door” configuration; appliances with Left Hinge should be opposite to another with Right Hinge.



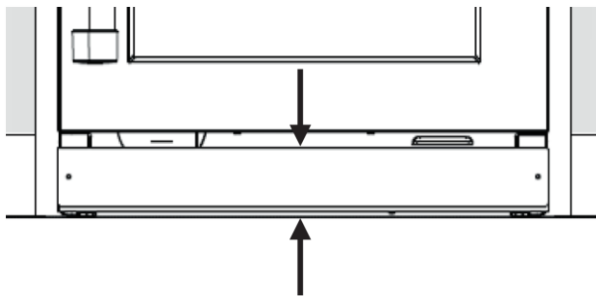


**Do not place one appliance with Right Hinge next to an appliance with a Left Hinge.**



## Ventilation

The Glass Door Refrigerator unit is ventilated only at the Toe-Kick in the base. Never cover that area or place anything in front of it. Otherwise the refrigeration cooling performance will be affected and the unit must work harder increasing power consumption.



## Connecting the appliance

After installing the appliance, wait at least 1 hour to turn on the appliance. During transportation the oil in the compressor may have flowed into the refrigeration system. Before switching ON the appliance for the first time, clean the interior of the appliance (see chapter "Cleaning the appliance" in the Use & Care Guide).

## Electrical connection

### **WARNING:**

These installation instructions are intended for use by qualified installers.

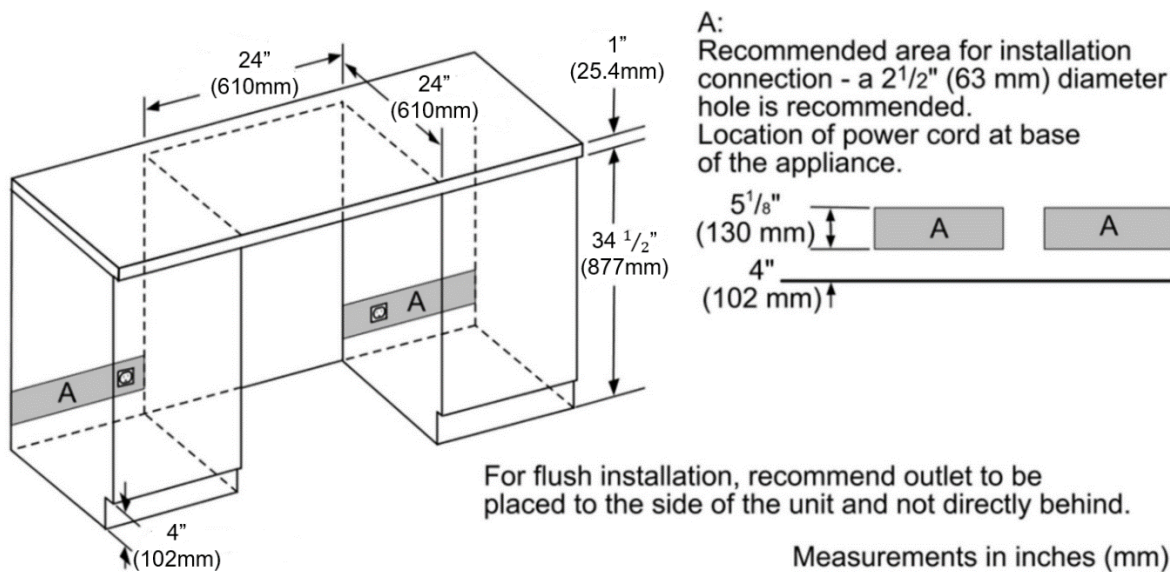
### **WARNING:**

Avoid the risk of an electric shock!  
Insert into a grounded receptacle.  
Never remove grounding phase.  
Do not use any adapters.  
Do not use any extension cords.

### **WARNING:**

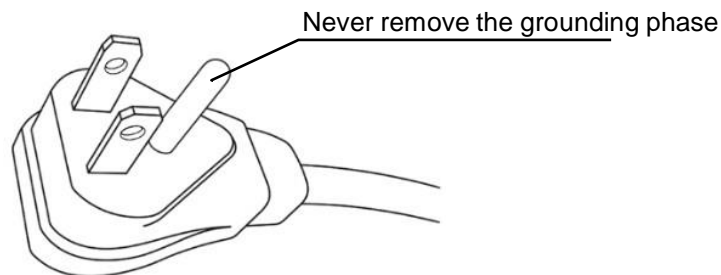
It is the customer's responsibility to ensure that the appliance installation is in compliance with all national and local electrical codes and ordinances. Non-compliance with these instructions may result in death, fire or an electric shock.

The receptacle must be near the appliance, 61" (1550mm) to the right of the appliance or 37" (940mm) to the left of the appliance, and freely accessible following installation of the appliance for future service.



The appliance complies with protection class I. Connect the appliance to 115 V/ 60Hz alternating current via a correctly installed receptacle with grounded terminal.

The appliance comes with a UL registered 3-wire power cord NEMA 5-15p type. The appliance requires a 3-pole receptacle.

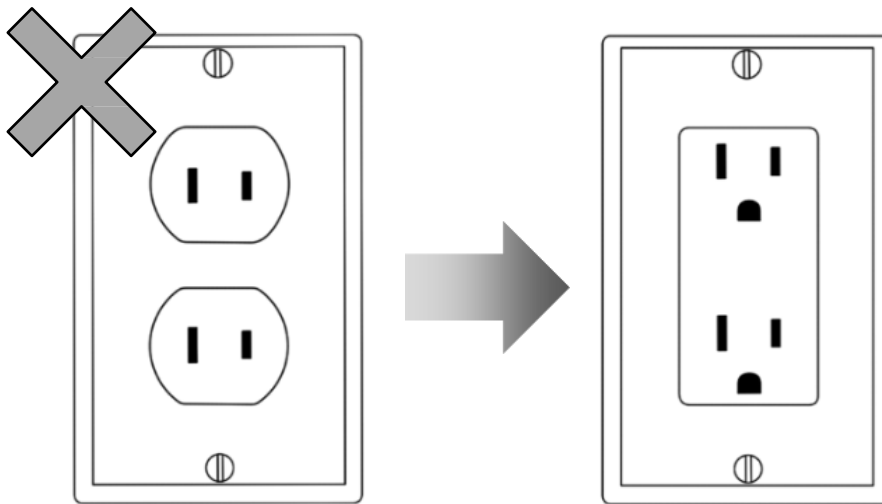


**⚠ WARNING:**

Never connect the appliance to electronic energy saver plugs. This appliance can be used with mains and sine-controlled inverters. Main controlled inverters are used for photovoltaic systems which are connected directly to the national grid. Sine-controlled inverters must be used for isolated applications (e.g. on ships or in mountain lodges) which are not connected directly to the national grid.

The appliance requires a 3-pole socket. The socket should be connected by a qualified electrician only. Where there is a 2-pole standard wall socket, it is the responsibility of the customer to have this socket replaced with a correctly grounded 3-pole wall socket. Do not use any adapter plugs.

Be sure that the location of your Glass Door Refrigerator has a near and accessible electric socket.



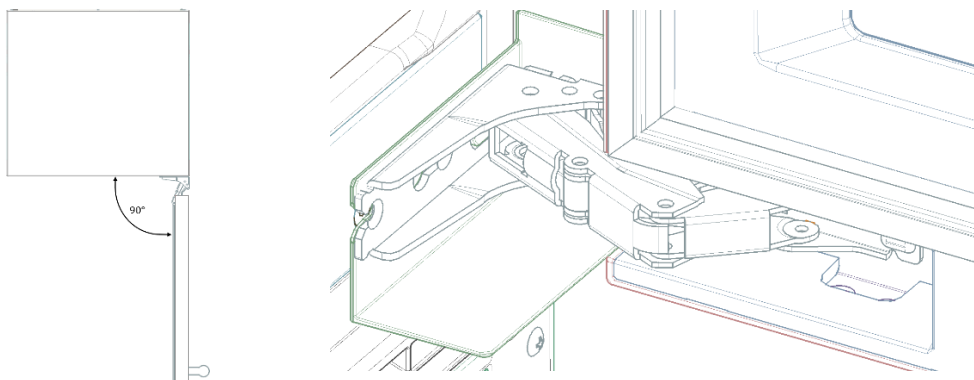
It is recommended that a separate circuit serving only your wine cellar be provided. Use an outlet that cannot be turned off by a switch. Do not use an extension cord. 2-pole standard wall socket must be replaced with a 3-pole grounded socket. Do not use adapters.

### **Door opening.**

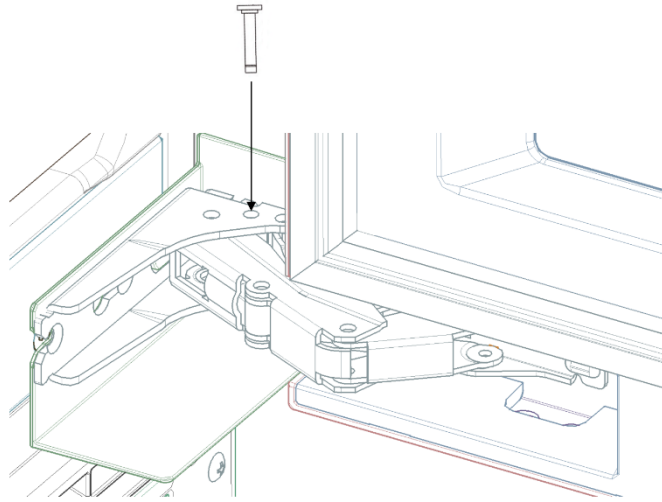
The door of your Glass Door Refrigerator is configured by default to have an aperture up to 115°. This makes for easy access to shelves for loading or cleaning. However, if the appliance is installed under counter, it is recommended to install the Door Stopper Pins in the hinge to avoid hitting the wall, cabinets or another appliance installed next to the Glass Door Refrigerator.

To install the Door Stopper Pin follow the next instructions:

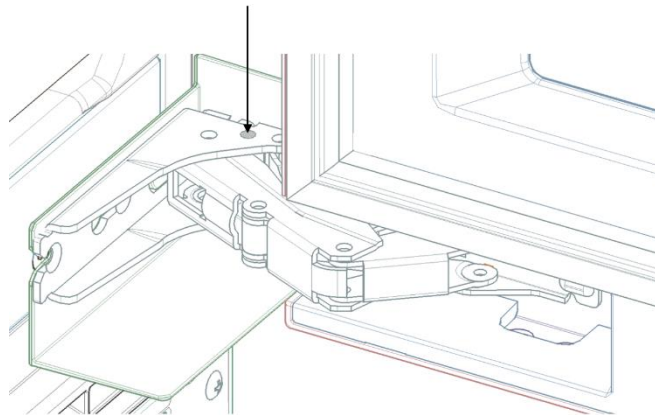
1. Open the door at <math><90^\circ</math> and position yourself near the bottom hinge of your appliance.



2. Grab the stopper pin from the bag included with this appliance and insert into the hole as shown:



3. Push firmly to ensure the stopper pin has locked into the hinge.



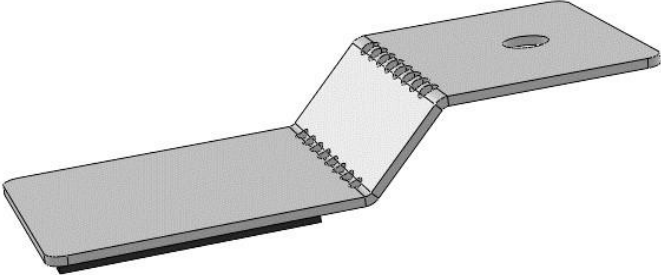
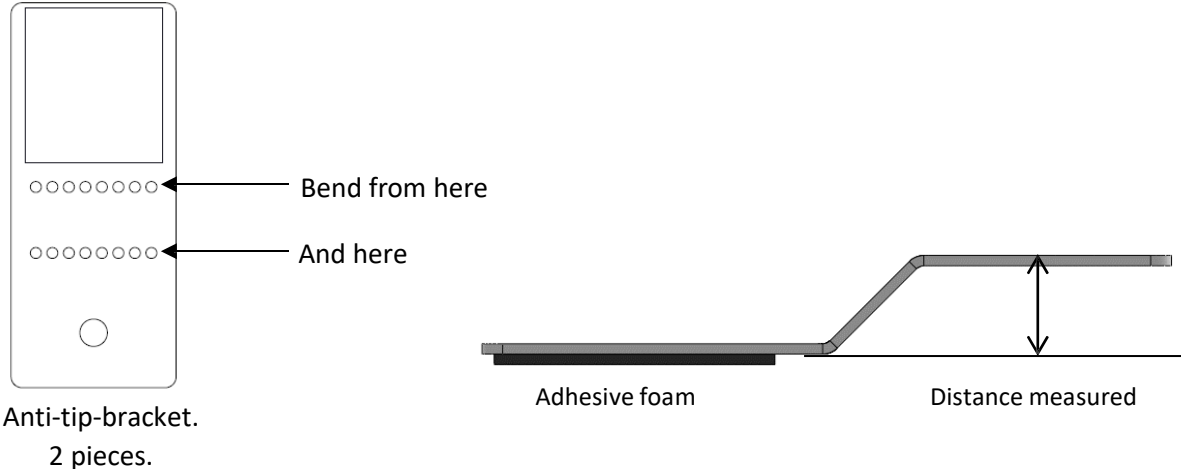
Now, the door opens only 90°.

# Installing the anti-tip-brackets

The appliance includes two anti-tip-brackets. If your cabinetry is not designed for the specific dimensions of your appliance, or if you plan to use the appliance as a free-standing unit, you should use these brackets to avoid your appliance tilting due to unbalanced overweight situations where the door is open.

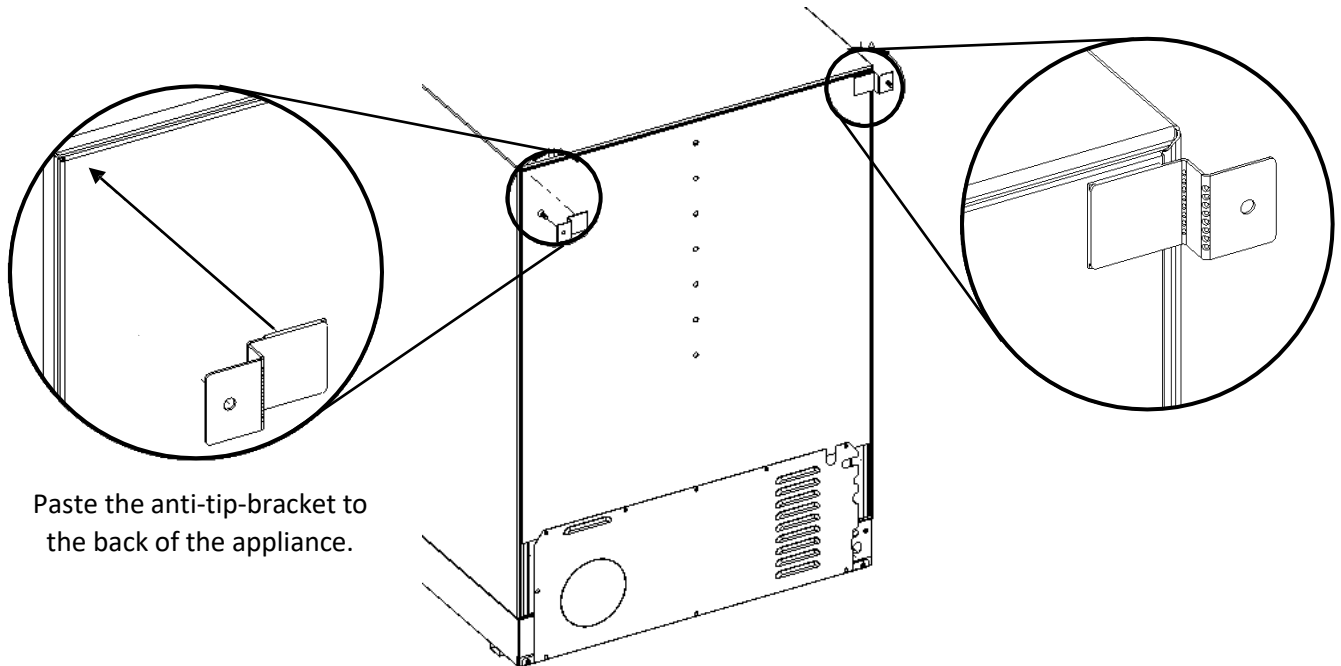
## For free-standing use

1. Consider the distance necessary for the appliance to be flush with the front of your cabinetry. If there is no cabinetry, put the unit close to the wall, then take the measurement of the space at the back, between the unit and the wall.
2. Based on the measured distance between the back of the unit and the wall, bend the anti-tip bracket (included with the unit) from the pointed lines to form a "step" with the same Distance measured.

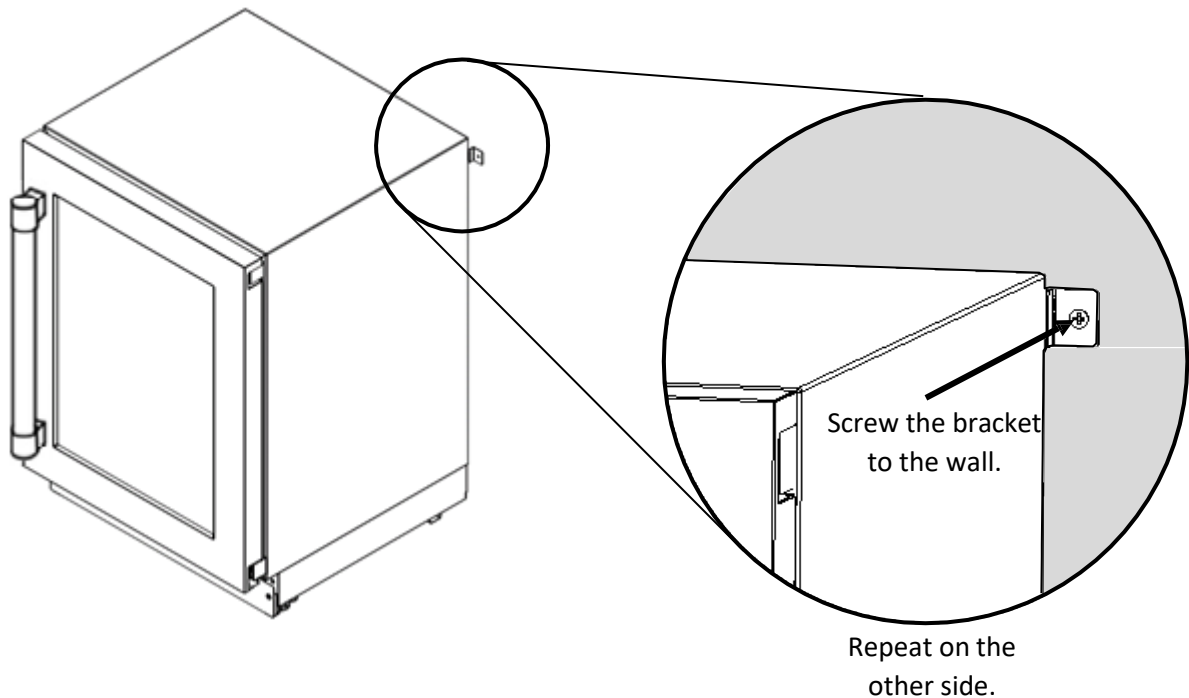


Resultant formed "step".  
**NOTE:** The adhesive foam must be at the bottom of the step, never on the reverse side.

3. Peel the adhesive foam and paste the anti-tip-bracket at both sides on the back of the appliance as shown in the illustrations.

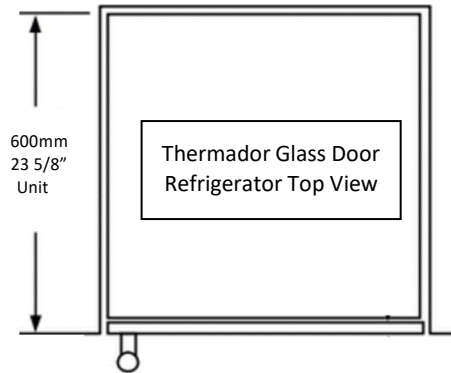


4. With the anti-tip-brackets pasted on the back of the appliance, slide the appliance to the wall until the anti-tip-bracket is touching the wall. Using the screws provided, fasten the anti-tip-bracket to the wall for both sides.  
**NOTE:** Do not fasten the unit to drywall. Be sure to attach the unit to a solid surface.

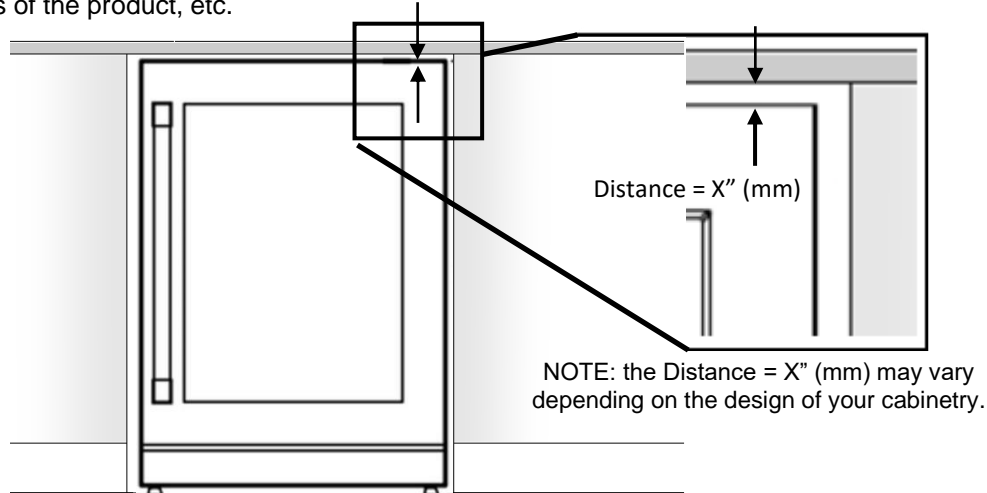


**For under counter use**

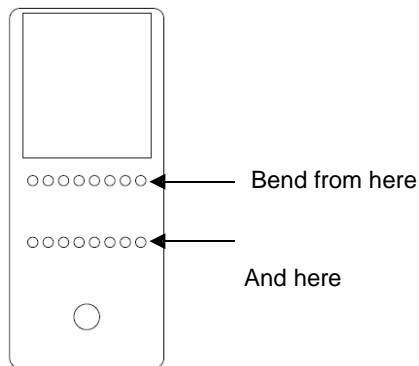
1. Consider the distance necessary for the appliance to be flush with the front of your cabinetry.



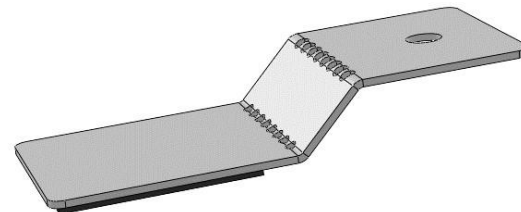
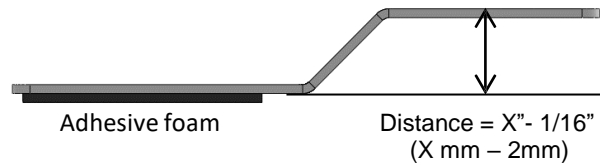
2. Take the measurement from the top of the cabinet of the unit to the bottom of the counter. The measurement X"(mm) may vary depending on the design of the counter, extension of the legs of the product, etc.



3. Based on the Distance = X" (mm) between the appliance and the counter, bend the anti-tip-brackets included with the appliance on the pointed lines to form a "step" 1/16" (2mm) smaller than the Distance = X" (mm) measured.

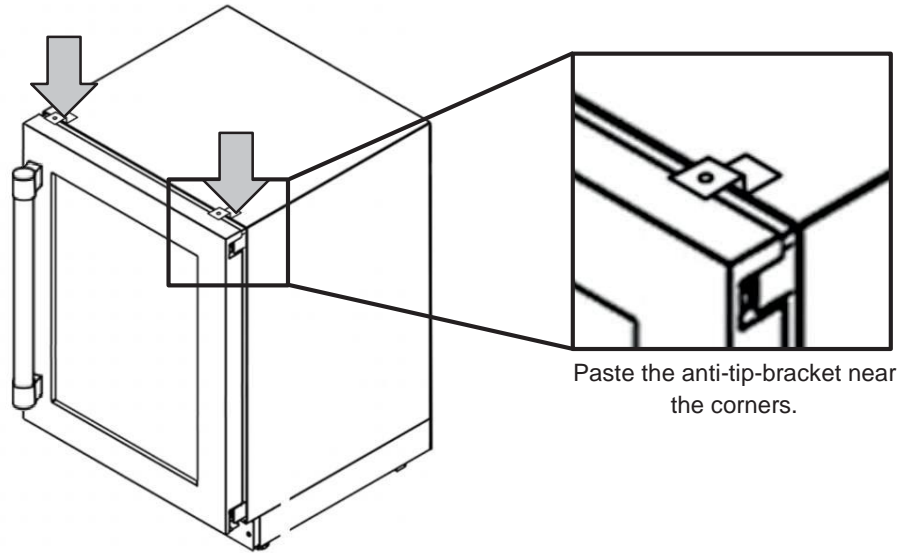


Anti-tip-bracket.  
2 pieces.

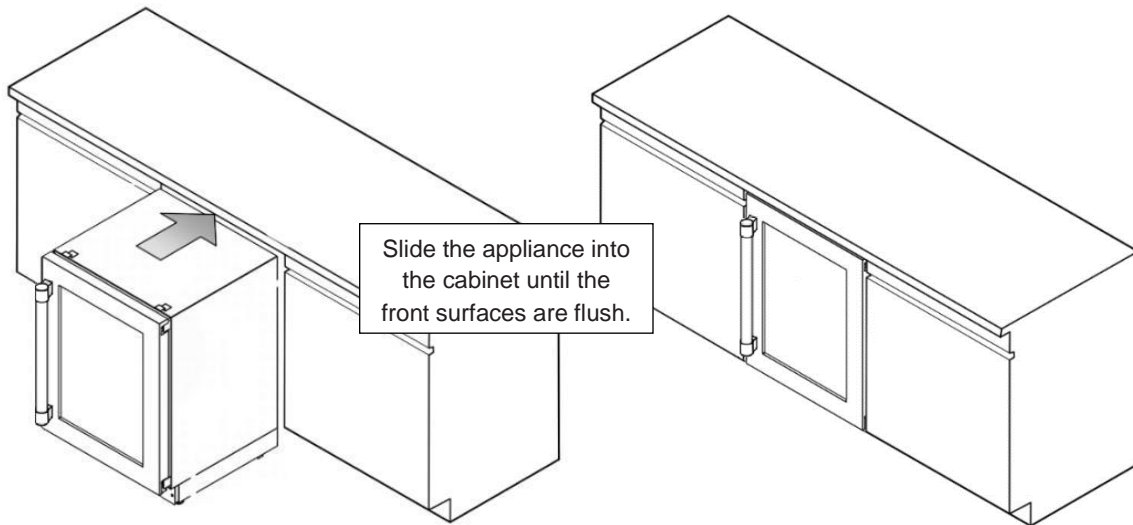


Resultant formed "step".  
**NOTE:** The adhesive foam must be at the bottom of the step, never on the reverse side.

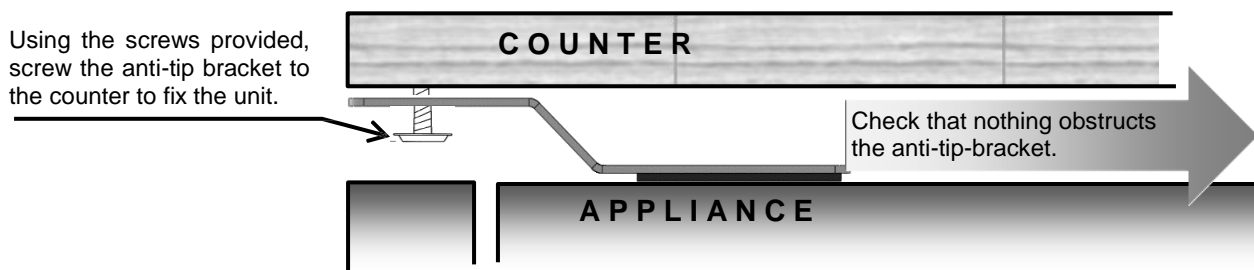
4. Peel the adhesive foam and paste the anti-tip-bracket at the front on the top of the cabinet of the appliance, near the corners as shown in the picture:



5. Slide the appliance into the cabinet until the front of the appliance is flush with the front of the cabinetry. Check that nothing interferes or obstructs the anti-tip-bracket while sliding under the counter.



Using the screws provided, screw the anti-tip bracket to the counter to fix the unit.





## Installing the overlay frame

(For T24UR905LP and T24UR905RP models only)

If you plan to install a custom overlay frame, you will need to create the frame yourself or consult a qualified cabinetmaker or carpenter.

A full sized template for easier hole pattern marking is included in the manual package.

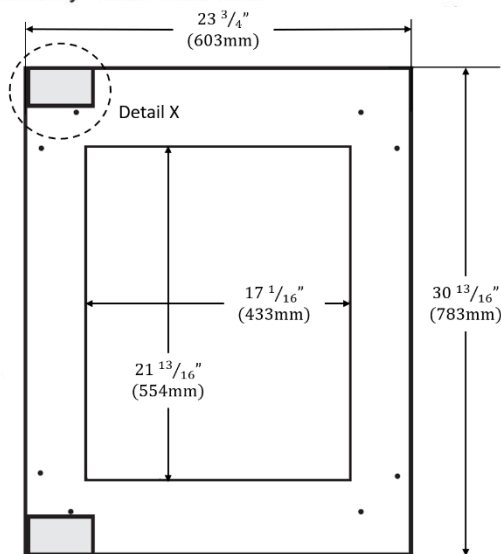
### IMPORTANT:

- The thickness of the overlay frame must be  $\frac{3}{4}$ " (19mm).
- Overlay frame must not weigh more than 10lbs (4.54kg).
- Overlay frame weighing more than recommended may cause damage to your appliance.
- To install the frame, use only the screws included in the "installation kit".

Create the custom overlay frame using the dimensions shown.

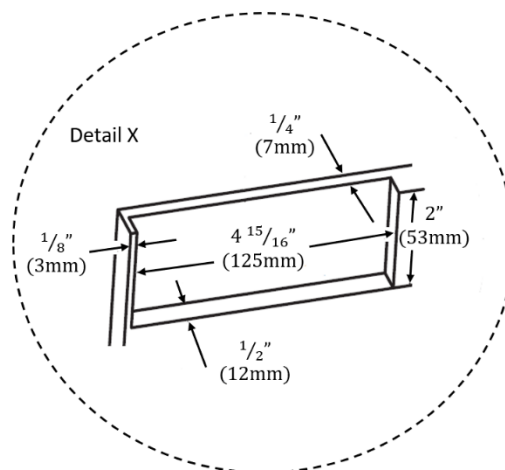
**IMPORTANT:** The following graphics shows a custom frame for a door with hinges installed on the right-hand side. If your Glass Door Refrigerator has hinges installed on the left-hand side, rotate the custom frame  $180^\circ$  so the makings will be on the left.

Overlay Panel - Rear View



### Notes:

1. The thickness of the overlay panel must be  $\frac{3}{4}$ " (19 mm).
2. Overlay panel must not weigh more than 10 lbs (4.54 kg).
3. Overlay panels weighing more than recommended may cause damage to your appliance.
4. It is recommended to have the help of a second person to install the panel.
5. Use the recommended tools in the installation manual to facilitate the installation of the panel. Failure to use the proper tools or the help of a second person may result in damage to the panel and/or the appliance.
6. The following graphic shows a custom panel for a door with the hinges installed on the right-hand side. If your wine cellar has hinges installed on the left-hand side, rotate the custom panel  $180^\circ$  so the hinge will be on the left.

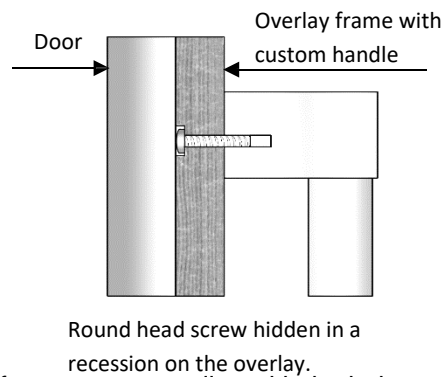
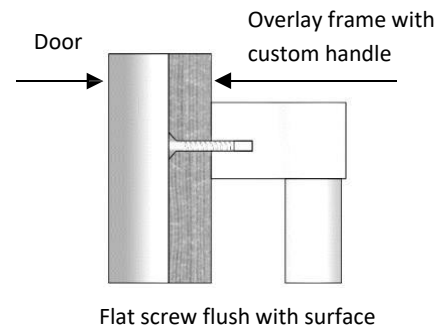
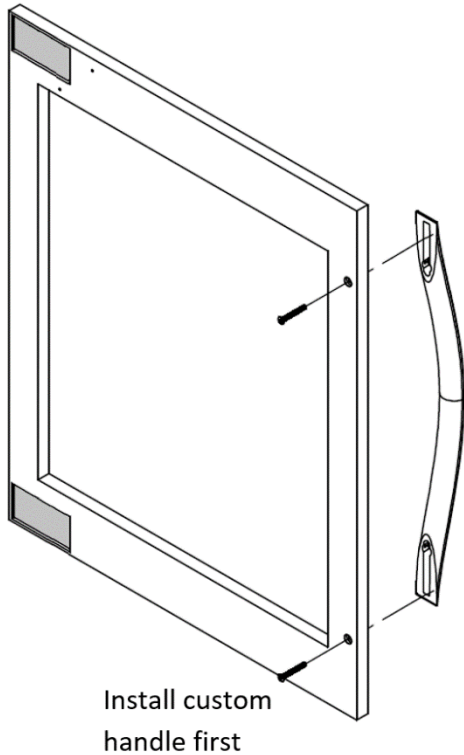


measurements in inches (mm)

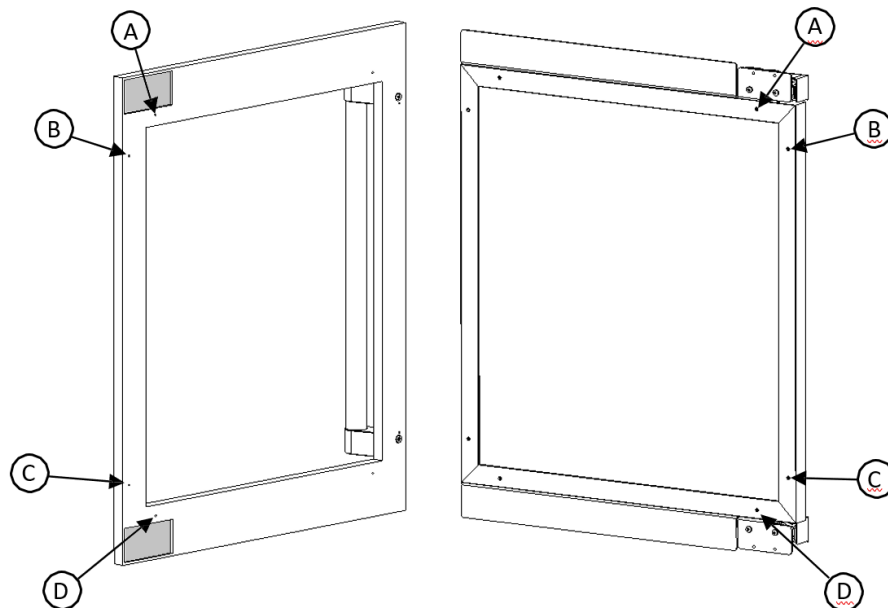
For detailed dimensions, see the frame specifications in **Addendum A**.

**IMPORTANT:** It is recommended to install the custom overlay frame with the help of another person.

1. Install the custom handle of your preference on the overlay frame before installing the frame on the door.
  - Every custom handle is different and it is the responsibility of the customer to make the necessary adjustments to place the handle on the overlay frame.
  - The screws used to affix the custom handle to the frame must be flat and flush with the surface of the frame; if the screws are not flat, then consider making a recession on the overlay, enough to hide the head of the screw below the surface of the overlay, otherwise the screws will interfere with the correct placement of the overlay on the door.

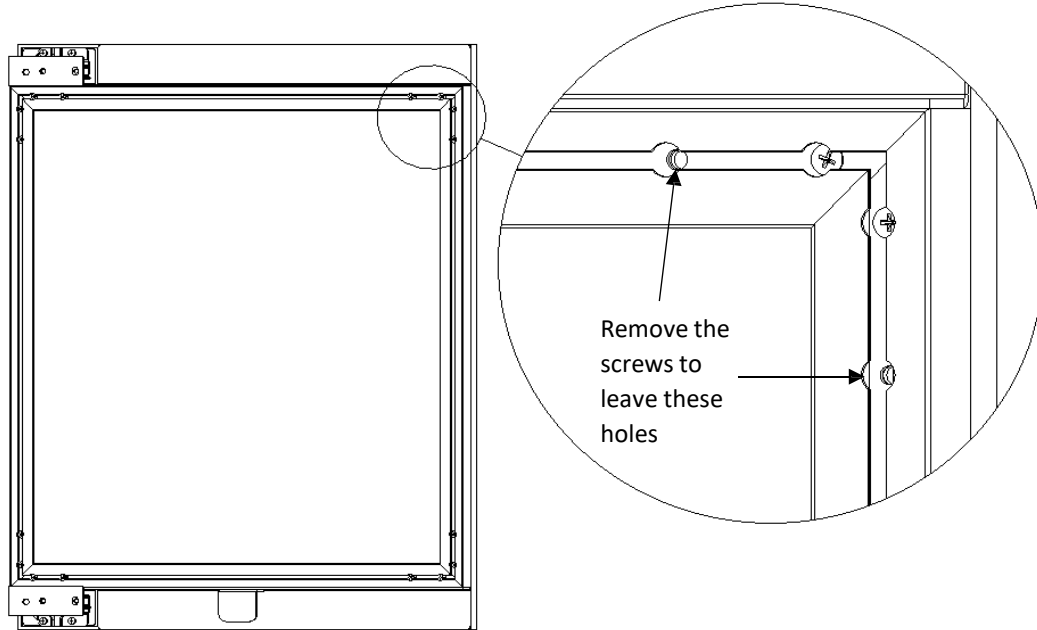


2. Locate and identify every pair of holes on the overlay frame corresponding with the holes on the door. Every hole must be aligned to screw and fasten the overlay to the door.

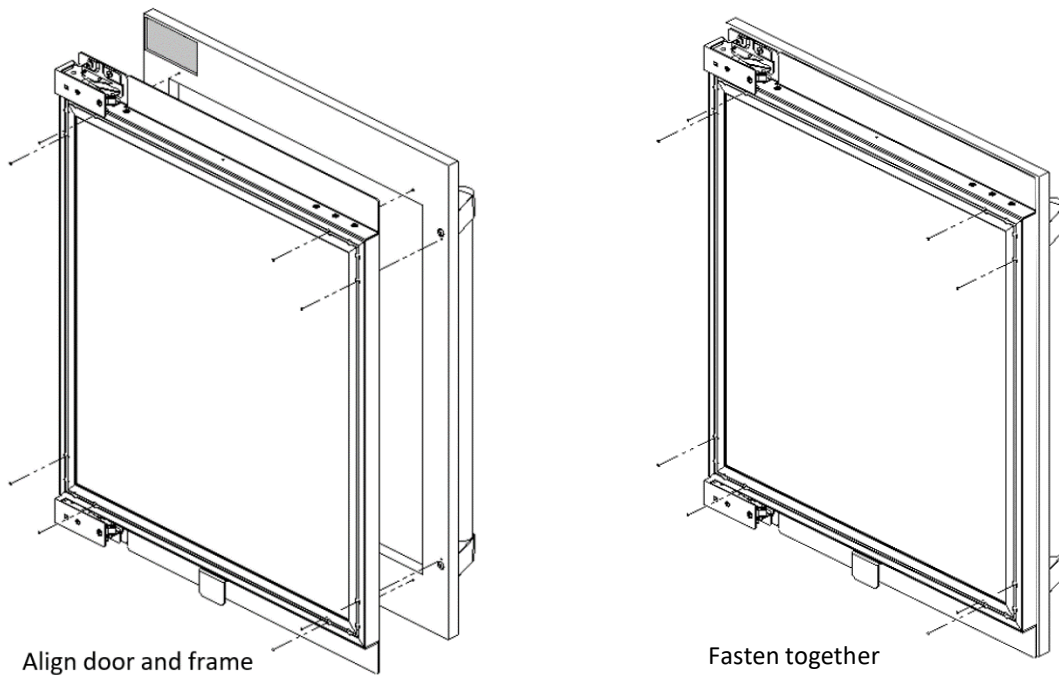


3. Remove the door gasket from the corners, by pulling it gently until the four screws are visible. Then remove the two screws further to the corner. The two holes shown on the below illustration must be accessible to screw (install) the custom overlay frame to the door. There should be 8 accessible holes in total, two per corner.

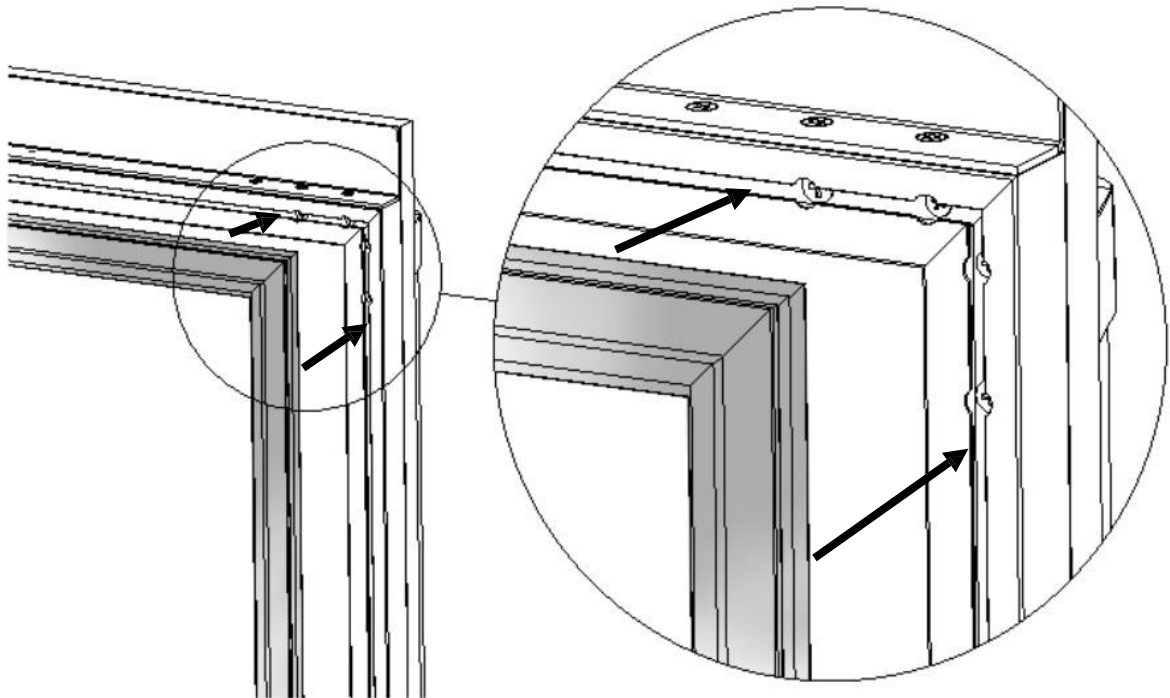
**NOTE:** It is not necessary to remove the entire gasket from the door, just from the corner, enough to access to the screws.



4. Align the overlay frame with the door and hold them firmly together while screwing them. It may be easier with the help of another person to hold and keep the frame in place while fastening. Using the 8 screws included in the installation kit, fasten the overlay frame to the door.

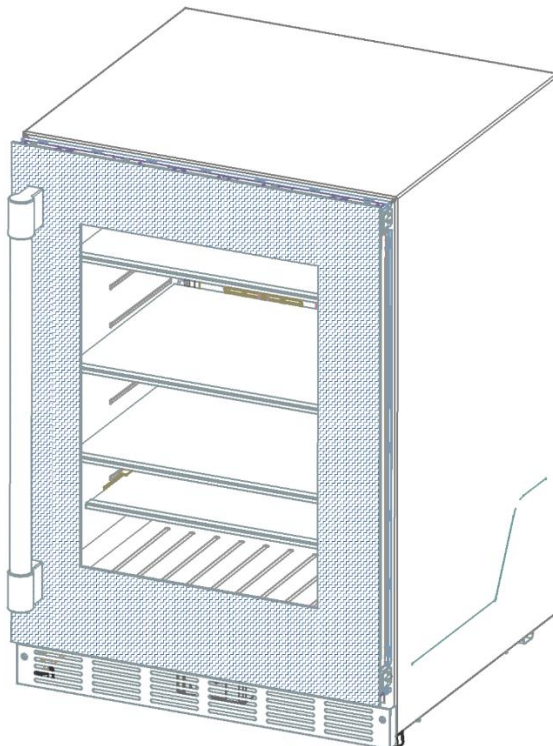


5. Once the overlay frame is securely attached to the door with the 8 screws, put the gasket back in its place pressing it against the door until all is even and firm into its channel.



Put gasket back in its place

6. Now, the overlay frame is ready.



## Customer Service Information

If service becomes necessary, contact your dealer or an authorized service center. Do not attempt to repair the appliance yourself. Any work performed by unauthorized personnel may void the warranty. If problem persists, take the following steps (in the order listed below) until the problem is corrected to your satisfaction.

1. Contact your dealer or the Thermador Authorized Servicer in your area.
2. E-mail us from the Customer Service section of our web site, [www.Thermador.com](http://www.Thermador.com).
3. Write to us at the address below:

**BSH Home Appliances Corporation**  
**1901 Main Street, Suite 600**  
**Irvine, CA 92614**

4. Call us at: 1-800-735-4328

Please be sure to include (if writing), or have available (if calling), the following information:

- Model Number
- Serial Number
- Date of Original Purchase
- Date Problem Originated
- Explanation of Problem

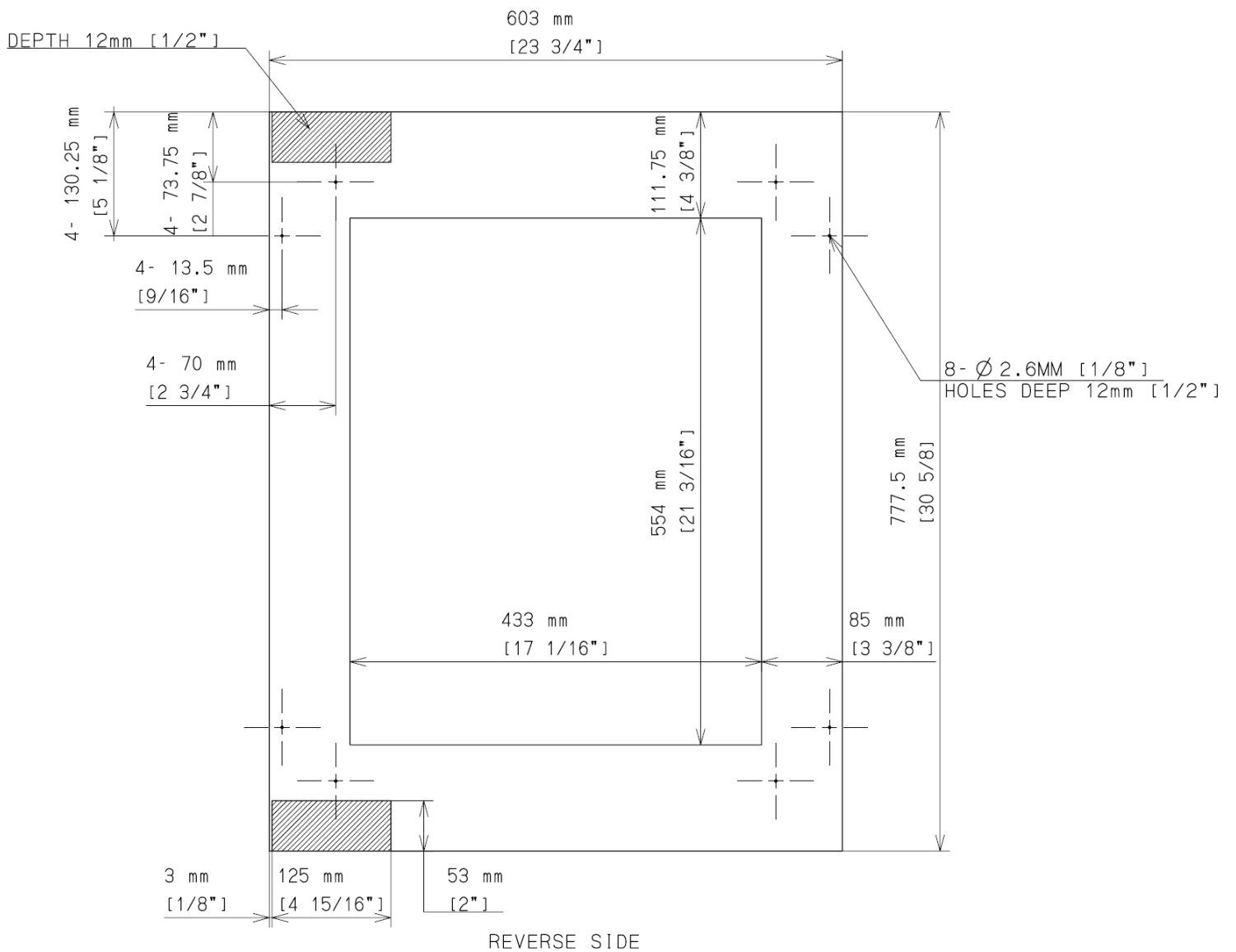
Also, if writing, please be sure to include a daytime phone number. (You will find the model number and serial number information on the label located inside the cabinet on the opposite side of the hinge).

# Addendum A.

## Detailed dimensions for Overlay Frame.

### Important

- The thickness of the overlay frame must be 3/8" (19mm).
- Overlay frame must not weigh more than 10lbs (4.54kg).



## **Data Rating Label**

The data rating label shows the model and serial number of your appliance. It is located in the interior of the cabinet, at the opposite side of the hinge.

## **Service Information**

For handy reference, copy the information in the form below from the data rating located in the interior of the cabinet, at the opposite side of the hinge. Keep your invoice for Warranty validation.

Model Number \_\_\_\_\_

Serial Number \_\_\_\_\_

Date of Purchase \_\_\_\_\_

Dealer's Name \_\_\_\_\_

Dealer's Phone Number \_\_\_\_\_

Service Center's Name \_\_\_\_\_

Service Center's Phone Number \_\_\_\_\_

**IMPORTANT :**

Avant de commencer, veuillez lire attentivement toutes ces consignes.

**INSTALLATEUR :**

Veuillez remettre ce manuel au propriétaire pour consultation ultérieure.

**PROPRIÉTAIRE :**

Conservez ces consignes d'installation pour consultation ultérieure et pour l'inspecteur local en électricité.

## Table des matières

<b>Consignes de sécurité importantes .....</b>	<b>25</b>
- Inspection du réfrigérateur à porte vitrée	
<b>Outils requis pour l'installation .....</b>	<b>26</b>
<b>Matériel compris .....</b>	<b>26</b>
<b>Installation de l'appareil .....</b>	<b>27</b>
- Transport	
- Mesures générales	
- Lieu d'installation	
- Installation côte à côte	
<b>Aération .....</b>	<b>31</b>
<b>Branchement de l'appareil .....</b>	<b>31</b>
- Raccordement électrique	
<b>Ouverture de la porte .....</b>	<b>33</b>
<b>Installation des supports antibasculement .....</b>	<b>35</b>
<b>Installation du panneau de revêtement .....</b>	<b>39</b>
<b>Renseignements sur le service à la clientèle .....</b>	<b>43</b>
<b>Annexe A .....</b>	<b>44</b>



## **Consignes de sécurité importantes**

LIRE ET CONSERVER CES CONSIGNES!

**Ces consignes d'installation sont destinées aux installateurs qualifiés.**

**En plus de ces consignes, l'appareil doit être installé :**

- Aux États-Unis, conformément au Code national de l'électricité, aux codes municipaux et de l'état, et/ou aux codes locaux.
- Au Canada, conformément à la plus récente édition du Code canadien de l'électricité C22.1, aux codes municipaux et provinciaux, et/ou aux codes locaux.

**Veillez respecter toutes les mises en garde énoncées.**

Portez attention aux triangles dans lesquels se trouve un point d'exclamation.



### **MISE EN GARDE :**

Ceci indique que des blessures graves voire mortelles peuvent découler du non-respect de cette mise en garde.



### **ATTENTION :**

Ceci indique que des blessures mineures ou modérément graves peuvent découler du non-respect de cette mise en garde.

### **REMARQUE :**

Ceci est utilisé pour attirer l'attention de l'utilisateur à quelque chose en particulier.

## **Avertissements de la Proposition 65 de l'État de Californie**

Ce produit peut contenir un produit chimique connu de l'État de Californie, qui peut provoquer des cancers ou des troubles de la reproduction. Par conséquent, l'emballage de votre produit peut porter l'étiquette suivante, comme l'exige la Californie :



## **Important**

- **NOUVELLE INSTALLATION** – Si l'appareil est une nouvelle installation, une grande partie du travail doit être effectuée avant de mettre l'appareil en place.
- **REMPACEMENT** – Si l'appareil sert à remplacer un autre appareil, les raccordements de l'appareil qui sont remplacés **doivent faire l'objet d'une vérification de compatibilité** avec le nouvel appareil et être remplacés si nécessaire.

## **Inspection du Réfrigérateur porte vitrée**

Retirez le ruban adhésif, l'emballage et les couvercles en plastique.

Après avoir déballé l'appareil et avant l'installation, inspectez soigneusement le réfrigérateur porte vitrée au cas où il aurait été endommagé durant le transport ou comporterait des dommages cosmétiques. Signalez immédiatement tout les dommage.

**REMARQUE :** Veillez ne pas jeter les sacs ou articles compris dans l'emballage original avant d'avoir terminé l'installation!

## Outils requis pour l'installation



Ruban à mesurer



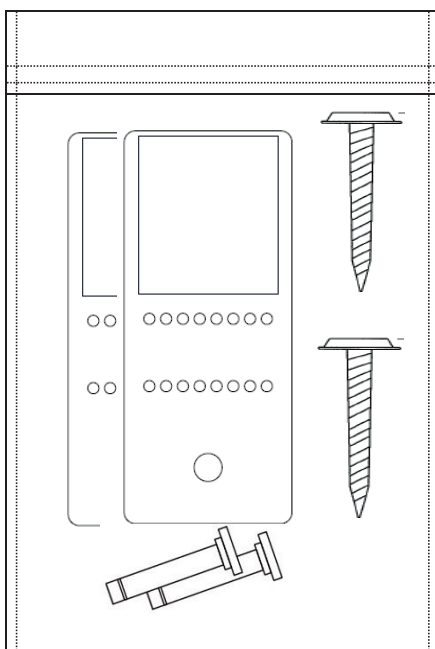
Tournevis cruciforme



Niveau

Ce sont les outils dont vous aurez besoin pour l'installation de l'appareil. Cependant, si vous devez modifier le comptoir ou l'aménagement pour mettre l'appareil en place, vous pourriez avoir besoin d'autres outils pour effectuer les modifications au comptoir/à l'aménagement avant d'installer l'appareil.

## Matériel compris

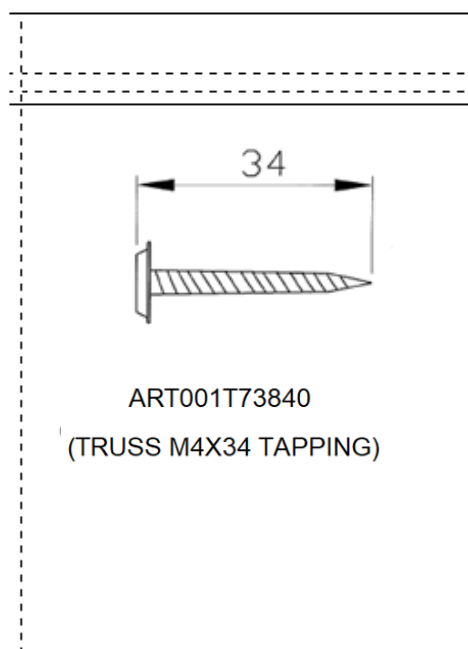


Support antibasculement. 2 pièces.

Vis : 2 pièces.

Butoir de porte : 1

1 mousse isolante (non illustrée)  
de 20 1/2 po (520 mm) x 29 1/8 po  
(740 mm) x 1/8 po (3 mm)



Vis pour le panneau de revêtement :

ART001T73840 (ENTRETOISE DE  
M4X34). 8 pièces.

**SEULEMENT POUR LES MODÈLES  
T24UR905LP ET T24UR905RP**

## Installation de l'appareil

Une grande partie du travail doit être effectuée avant que le Réfrigérateur porte vitrée ne soit mis en place. Demandez à un technicien qualifié d'installer et de raccorder l'appareil conformément aux consignes d'installation comprises.



### MISE EN GARDE :

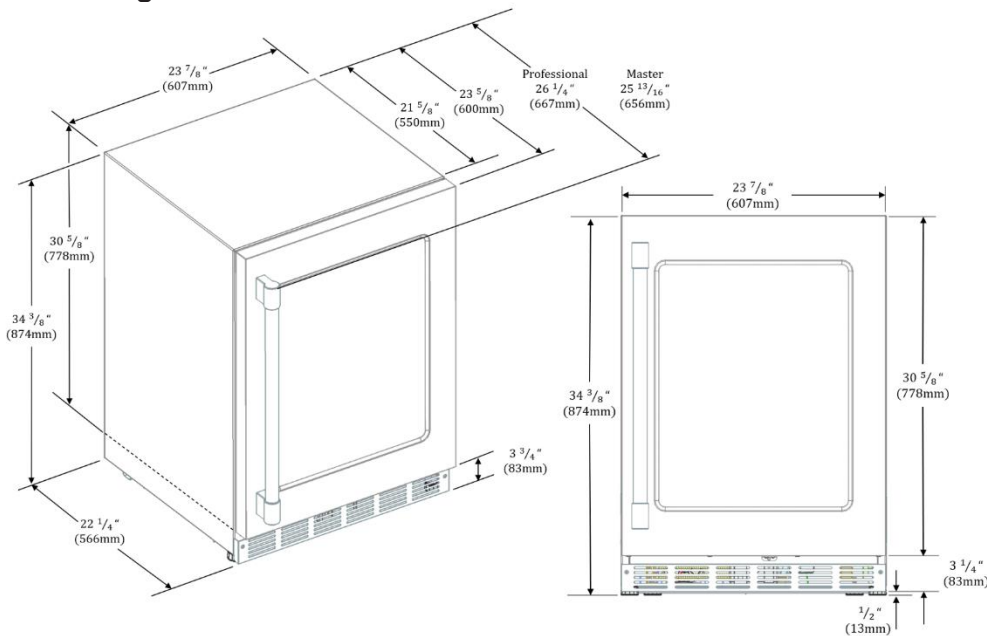
N'installez pas cet appareil :

- À l'extérieur
- Dans un endroit où l'eau dégoutte
- Dans des pièces où il y a risque de gel

## Transport

L'appareil est lourd et doit être manipulé avec précaution durant le transport et l'installation. En raison du poids et des dimensions de cet appareil, la présence d'au moins deux personnes est nécessaire pour mettre l'appareil en place en toute sécurité et éviter les blessures ou les dégâts matériels.

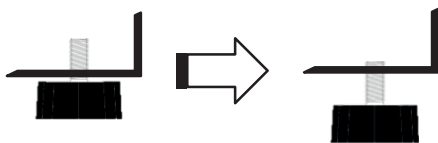
## Mesures générales



Mesures en pouces (mm)

Remarque : Avec les pieds complètement rentrés, le produit présente une dimension minimale de 34 3/8 » de haut en bas. Les pieds peuvent être étendus jusqu'à 1/2 " (13mm).

Toutes les pattes sont réglables jusqu'à 1/2 po.



## Lieu d'installation

Une pièce bien aérée où l'air est sec convient à l'installation. Le lieu de l'installation ne doit pas être exposé directement aux rayons du soleil et se trouver à proximité d'une source de chaleur, p. ex., une cuisinière, un radiateur, etc.

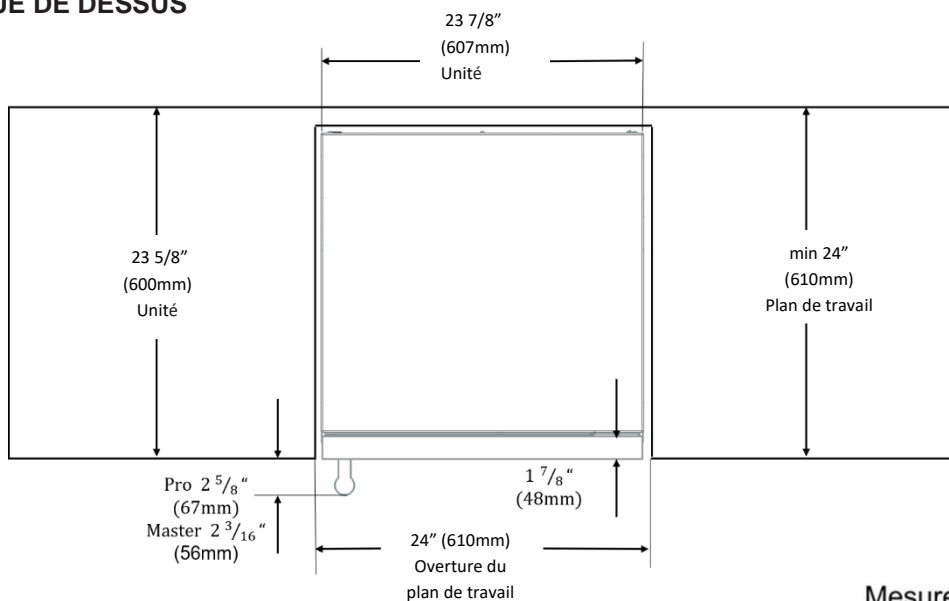
Si l'installation se trouve à proximité d'une source de chaleur, utilisez une plaque isolante adéquate ou respectez la distance minimum entre l'appareil et la source de chaleur :

- Cuisinière/four à gaz ou électrique 1 ¼ po (3 cm).
- Cuiseur à l'huile ou au charbon 1113/16 po (30 cm).
- Autre cellier ou réfrigérateur 1 po (2,54 cm).

Le plancher du lieu de l'installation doit être capable de résister au poids de l'appareil. Si nécessaire, renforcez le plancher. L'appareil doit être à la verticale et de niveau pour fonctionner correctement.

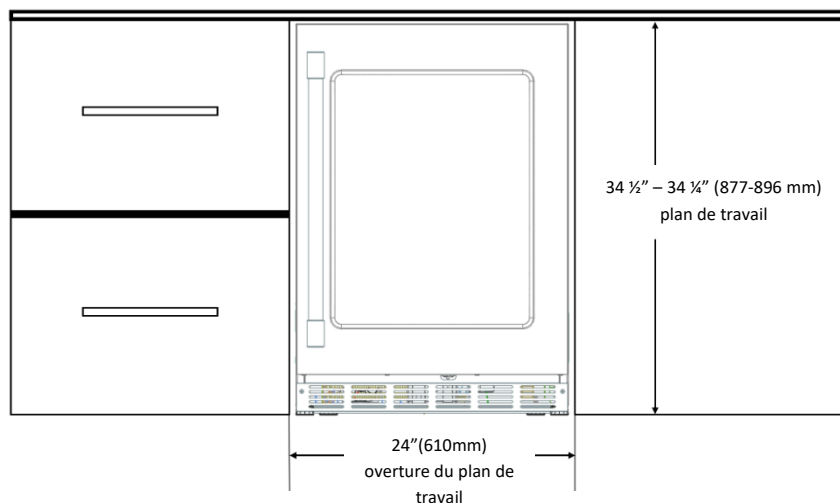
Pour un fonctionnement et une apparence corrects de l'unité, l'ouverture de l'armoire doit être carrée et avoir les dimensions indiquées dans les schémas suivants.

## VUE DE DESSUS



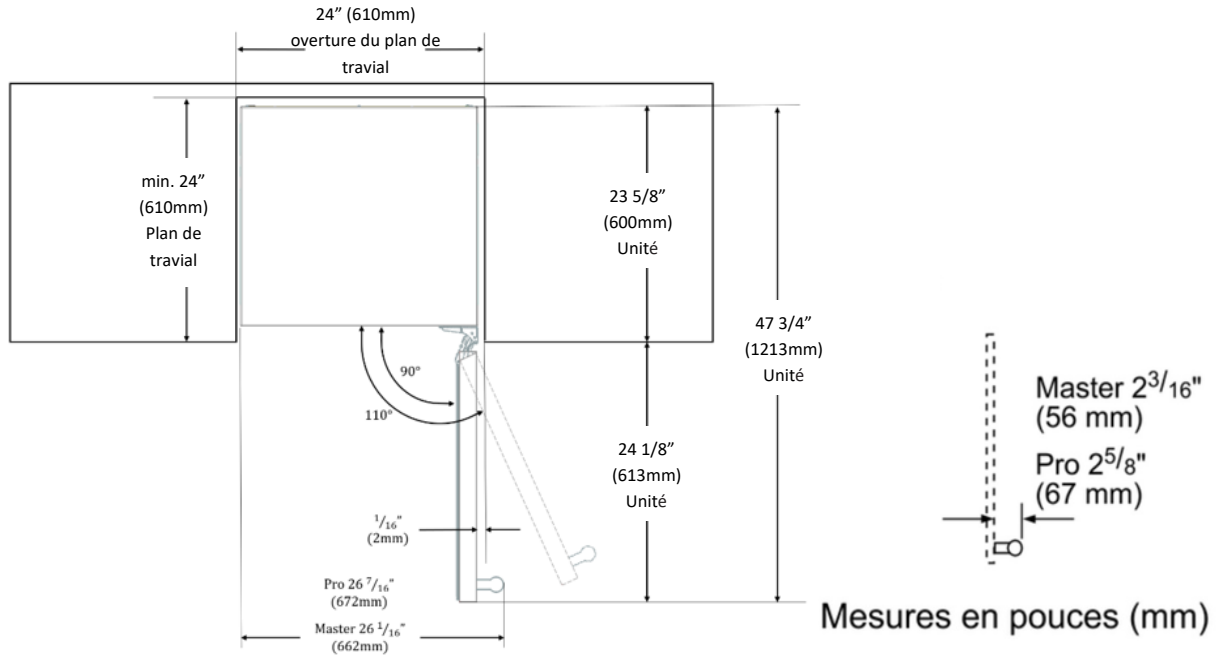
Mesures en pouces (mm)

## VUE DE FACE

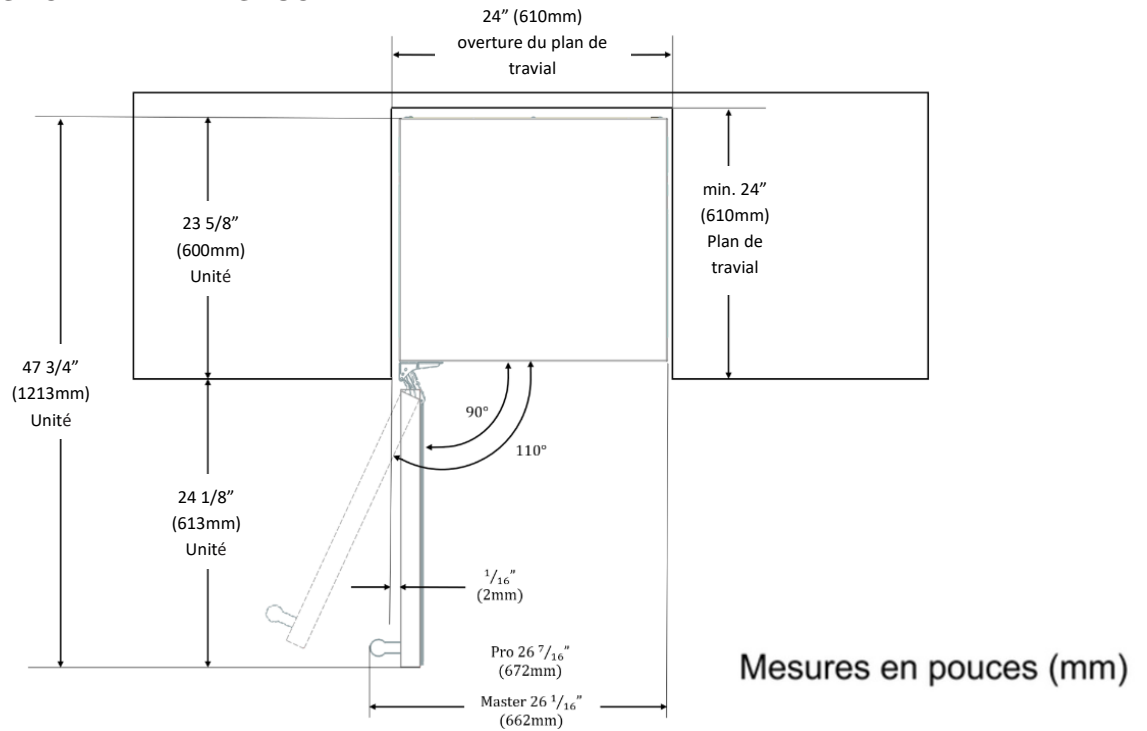


Dimensions en pouces (mm)

### VUE DE DESSUS - CHARNIÈRE À DROITE



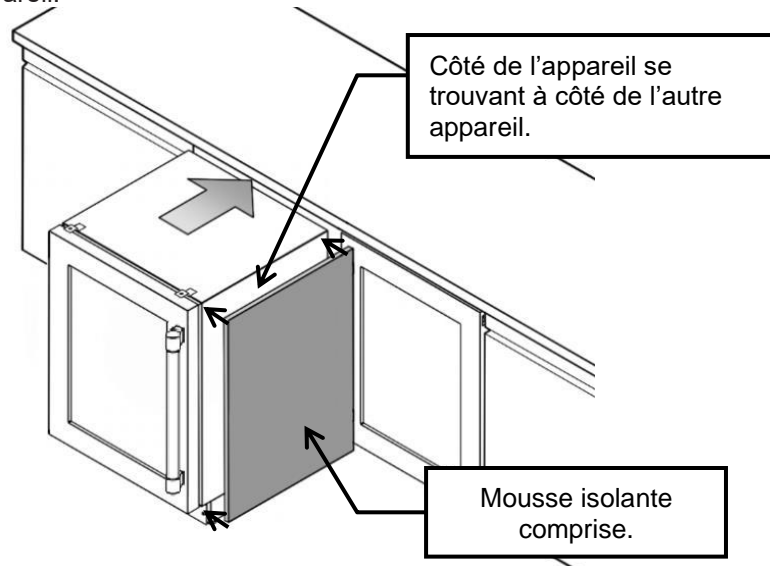
### VUE DE DESSUS - CHARNIÈRE À GAUCHE



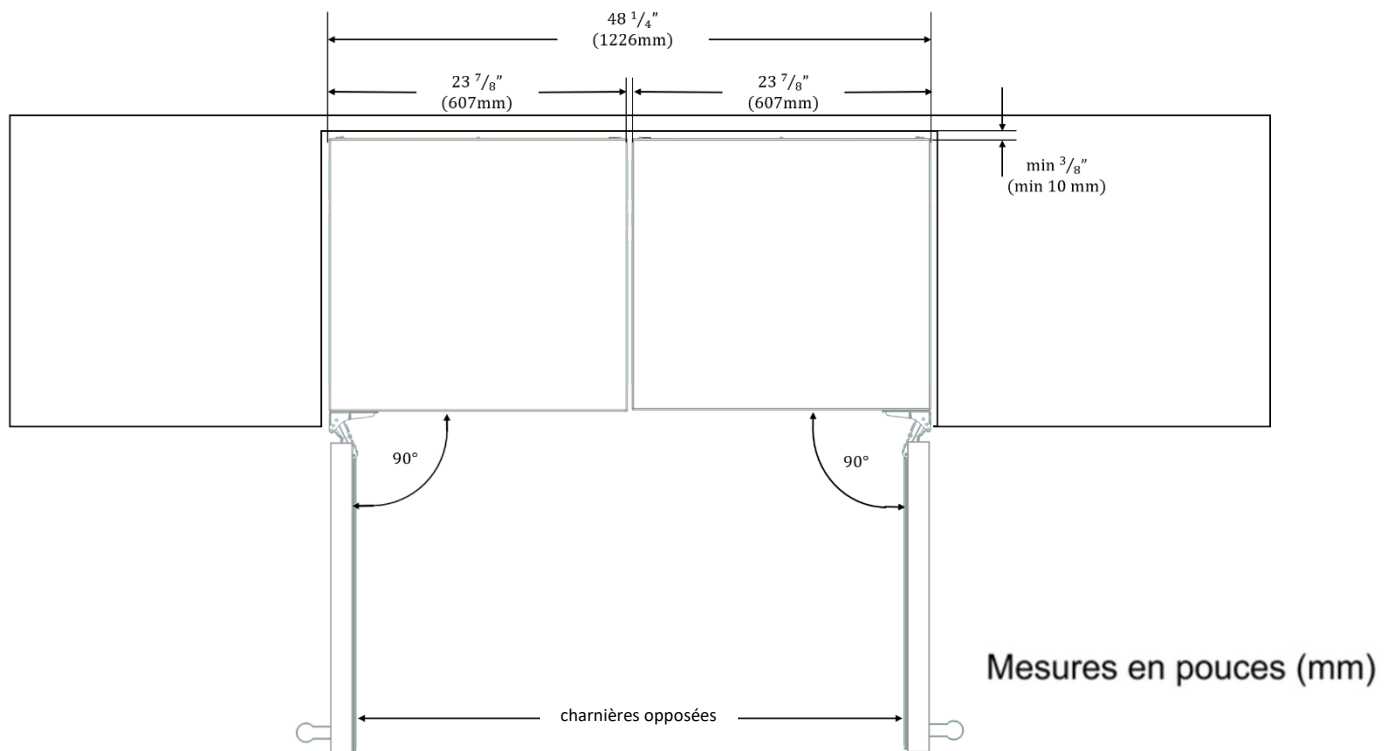
## Installation côte à côte

L'appareil peut être installé à côté d'un autre appareil Thermador. Veuillez respecter les dimensions et les remarques pour installer correctement l'appareil à côté d'un autre.

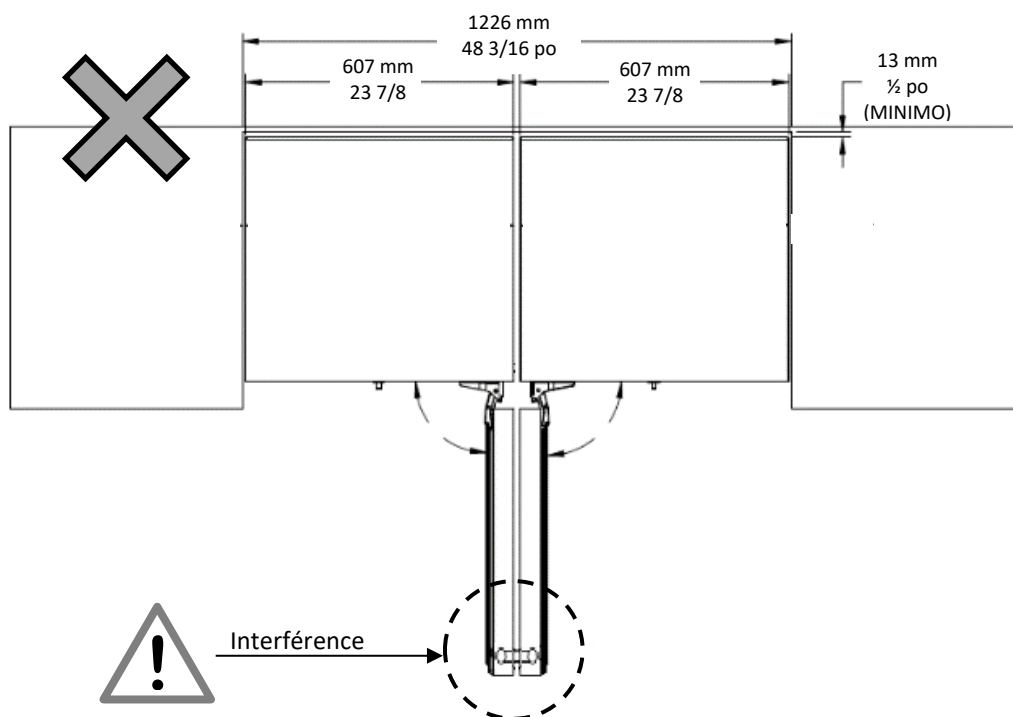
**REMARQUE :** Avant de mettre l'appareil dans sa niche, collez la mousse isolante (comprise) sur le côté de l'appareil qui sera placé à côté de l'appareil supplémentaire. Veillez à ce que la mousse isolante soit de niveau avec la surface de l'appareil et qu'il n'y ait pas de bulles ou de bosses sur la mousse isolante après l'avoir collée sur l'appareil.



Installez les appareils selon la configuration des « portes françaises »; les appareils avec charnière à gauche doivent se trouver du côté opposé à l'autre dont la charnière est à droite.



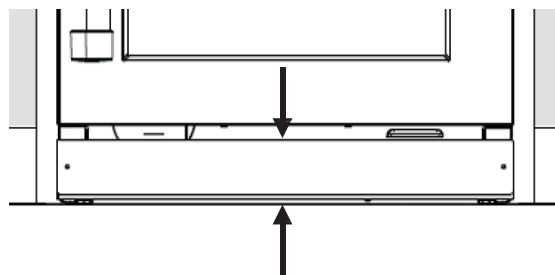
Ne mettez pas un appareil dont la charnière est à droite à côté d'un appareil dont la charnière est à gauche.



## Aération

Le Réfrigérateur porte vitrée est aéré uniquement à la base, au niveau du bandeau de socle. Ne couvrez jamais cette partie ou placez un objet devant. Cela pourrait nuire au rendement du système de refroidissement de l'appareil et augmenter la consommation d'électricité.

En outre, veillez à ce que les **4 pattes de nivellement soient déployées** (la hauteur de l'appareil est d'environ 34 3/4 po) afin que la circulation d'air soit suffisante sous l'appareil.



## Branchement de l'appareil

Après avoir installé l'appareil, attendez au moins une heure avant de le mettre en marche. Durant le transport, l'huile du compresseur a peut-être coulé dans le système de réfrigération.

Avant de mettre l'appareil en marche pour la première fois, nettoyez l'intérieur de l'appareil (consultez la rubrique « **Nettoyage de l'appareil** » dans le guide d'utilisation et d'entretien).

## Raccordement électrique

### ⚠ MISE EN GARDE :

Ces consignes d'installation sont destinées aux installateurs qualifiés.

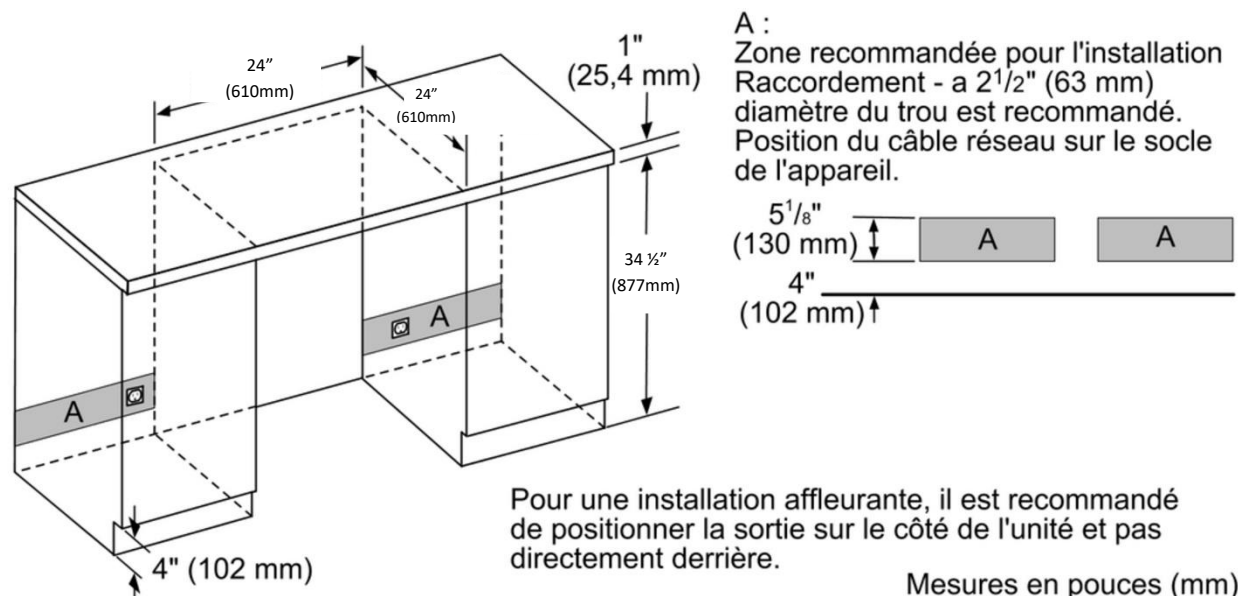
### ⚠ MISE EN GARDE :

Éviter tout risque d'électrocution!  
Insérer dans une prise de courant mise à la terre.  
Ne jamais retirer la prise de terre.  
Ne pas utiliser d'adaptateur.  
Ne pas utiliser de rallonge.

### ⚠ MISE EN GARDE :

Il incombe au client de veiller à ce que l'installation de l'appareil soit conforme à tous les codes et ordonnances électriques locaux et nationaux. Le non-respect de ces consignes peut causer la mort, un incendie ou une électrocution.

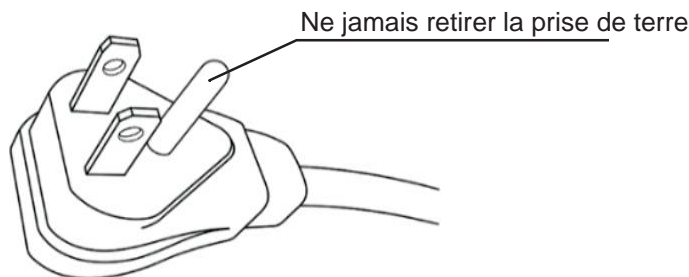
La prise de courant doit se trouver à proximité de l'appareil, 61 po (1550 mm) à droite de l'appareil ou 37 po (940 mm) à gauche de l'appareil, et être facilement accessible suite à l'installation de l'appareil.



L'appareil est conforme à la protection de classe I. Brancher l'appareil dans une prise de courant alternatif de 115 V/60 Hz correctement installée et avec une borne de mise à la terre.

L'appareil comprend un cordon d'alimentation à 3 broches homologué UL de type NEMA 5-15p.

L'appareil exige une prise à 3 broches.





## MISE EN GARDE :

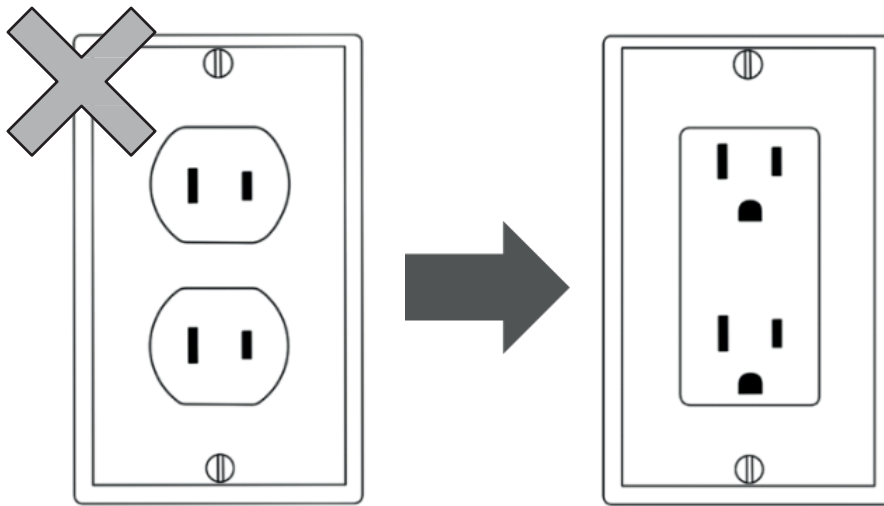
Ne jamais brancher l'appareil dans une prise permettant d'économiser l'énergie.

Cet appareil peut être utilisé avec des onduleurs sinusoïdaux et de réseaux. Les onduleurs contrôlés par les réseaux sont utilisés pour les systèmes photovoltaïques raccordés directement au réseau national. Les onduleurs sinusoïdaux doivent être utilisés pour des applications isolées (p. ex., sur les navires ou dans les cabines en montagne) qui ne sont pas directement raccordées au réseau national.

L'appareil exige une prise de courant à 3 broches. La prise doit être raccordée par un électricien qualifié seulement.

S'il n'y a qu'une prise murale standard à 2 broches, il incombe au client de faire remplacer cette prise par une prise murale à 3 broches correctement mise à la terre. Ne pas utiliser d'adaptateur de fiche.

Veiller à ce que le Réfrigérateur porte vitrée se trouve à proximité d'une prise de courant accessible.



Il est recommandé de prévoir un circuit séparé desservant uniquement votre cave à vin. Utilisez une prise qui ne peut pas être éteinte par un interrupteur. N'utilisez pas de rallonge.

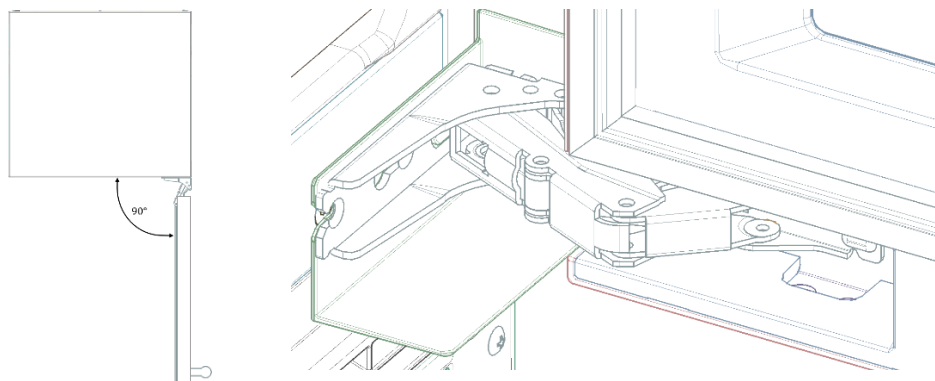
La prise de courant standard à 2 broches doit être remplacée par une prise de courant à 3 broches mise à la terre. Ne pas utiliser d'adaptateur.

## Ouverture de la porte.

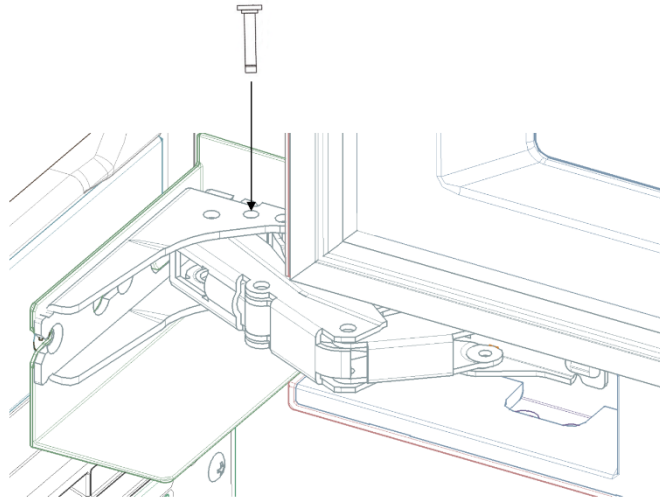
La porte de votre Réfrigérateur porte vitrée est configurée par défaut pour une ouverture de 115°. Cela facilite l'accès aux tiroirs pour le chargement ou le nettoyage. Cependant, si l'appareil est installé sous le comptoir, il est préférable d'installer les butoirs de porte dans la charnière pour éviter de frapper le mur, les meubles ou tout autre appareil installé à côté du Réfrigérateur porte vitrée.

Pour installer le butoir de porte, procédez comme suit :

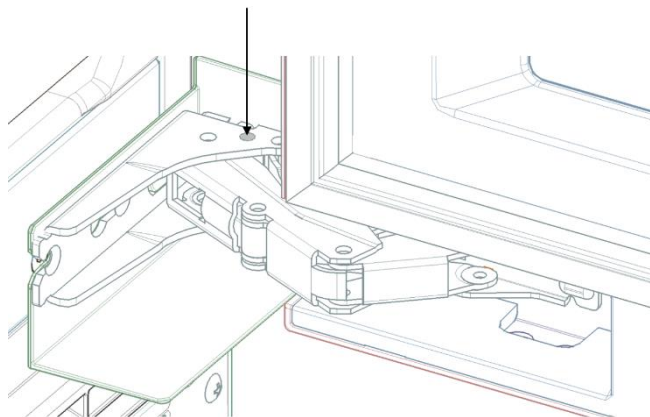
1. Ouvrez la porte à <math>< 90^\circ</math> et positionnez-vous près de la charnière inférieure de votre appareil.



2. Saisissez la goupille de bouchon dans le sac fourni avec cet appareil et insérez-la dans le trou comme indiqué:



3. Poussez fermement pour vous assurer que la goupille de bouchon s'est verrouillée dans la charnière.



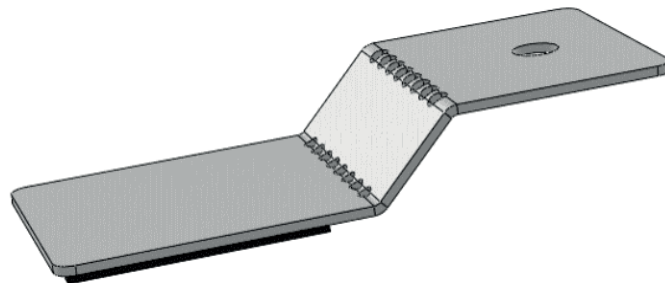
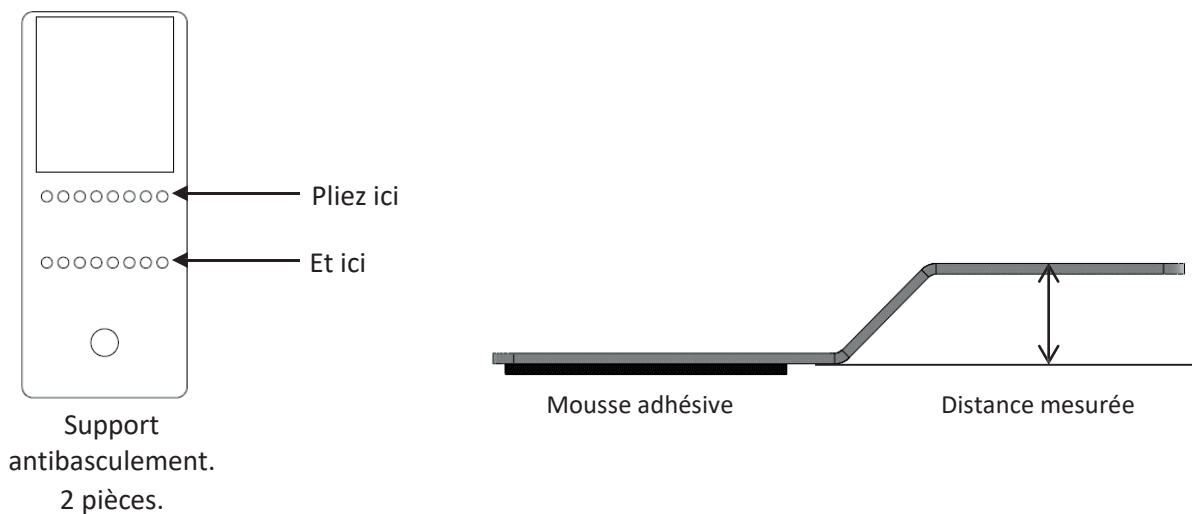
La porte s'ouvre maintenant à seulement 90°

## Installation des supports antibasculement

L'appareil comprend deux supports antibasculement. Si votre aménagement n'est pas conçu pour les dimensions spécifiques de votre appareil, ou si vous prévoyez utiliser l'appareil de façon autonome, vous devez utiliser des supports pour éviter que l'appareil ne bascule en raison d'un déséquilibre de poids lorsque les deux tiroirs sont ouverts en même temps.

### Usage autonome

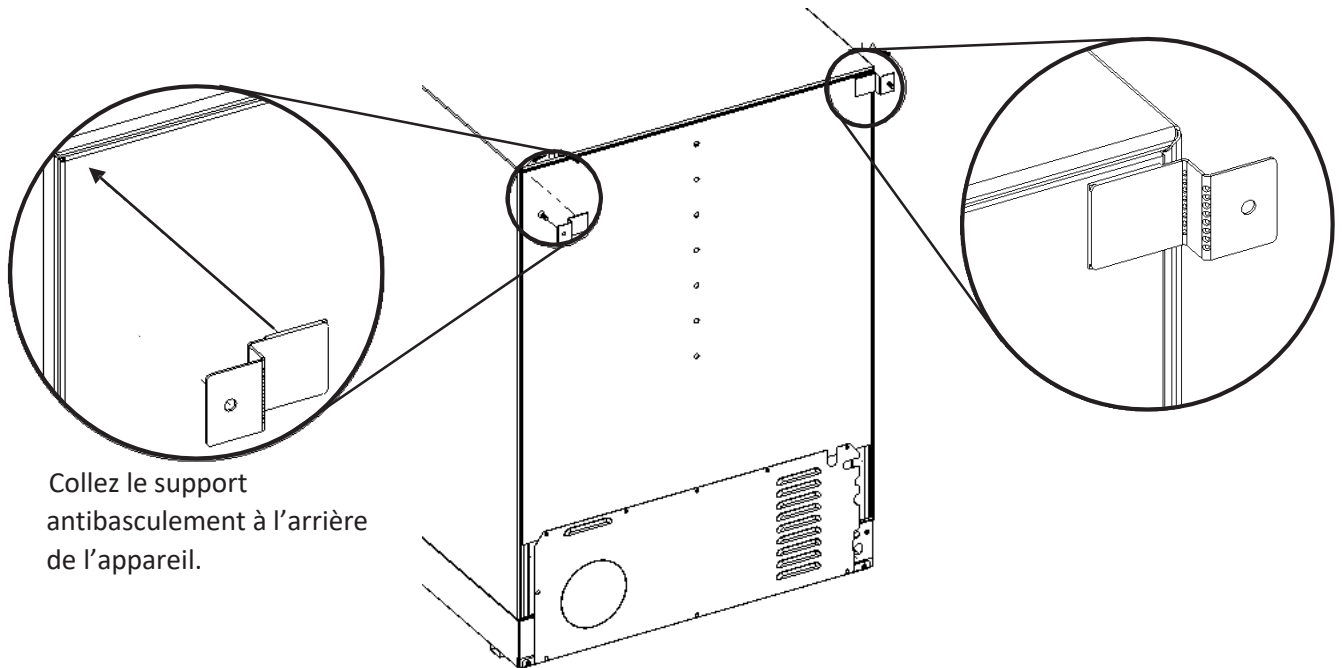
1. Considérez la distance nécessaire pour que l'appareil soit vis-à-vis le devant de votre aménagement. S'il n'y a pas d'aménagement, mettez l'appareil près du mur, puis mesurez l'espace à l'arrière entre l'appareil et le mur.
2. Selon la distance mesurée entre l'arrière de l'appareil et le mur, pliez le support antibasculement (compris avec l'appareil) à partir des lignes pointillées pour créer une « marche » avec la distance mesurée.



« Marche » créée.

**REMARQUE** : La mousse adhésive doit se trouver dans le fond de la marche, et non sur le côté inverse.

3. Pelez la mousse adhésive et collez le support antibasculement des deux côtés à l'arrière de l'appareil, tel qu'illustré ci-dessous.

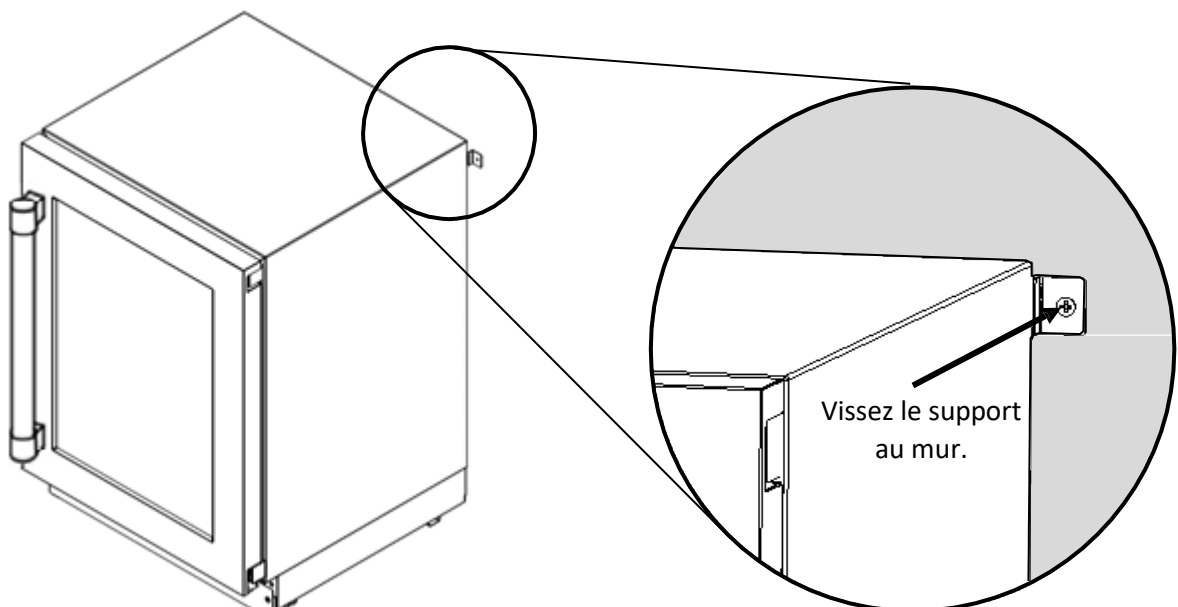


Collez le support antibasculement à l'arrière de l'appareil.

4. Après avoir collé les supports antibasculement à l'arrière de l'appareil, faites glisser l'appareil vers le mur jusqu'à ce que le support antibasculement touche au mur.

À l'aide des vis fournies, fixez le support antibasculement au mur des deux côtés.

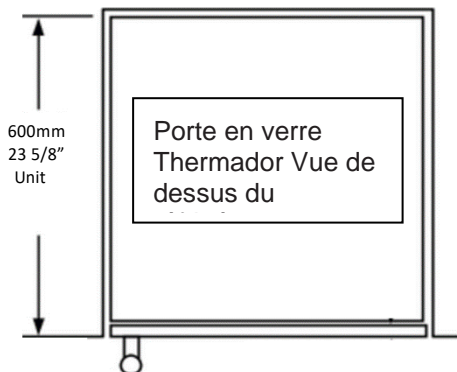
**REMARQUE :** Ne fixez pas l'appareil à la cloison sèche. Fixez l'appareil sur une surface solide.



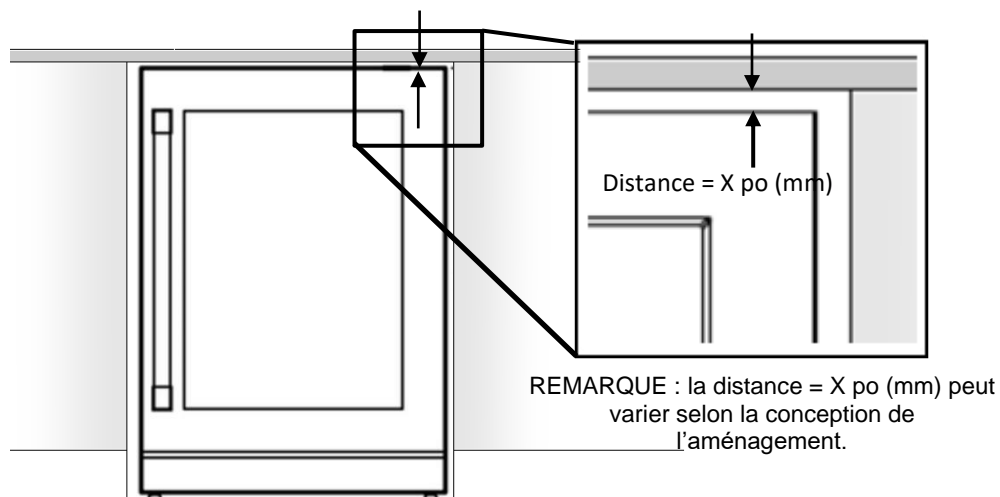
Répétez la procédure de l'autre côté.

## Installation sous le comptoir

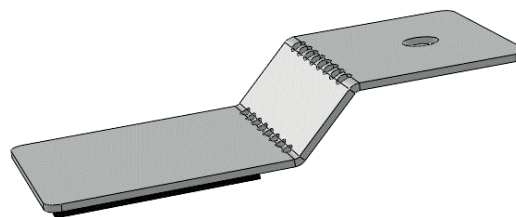
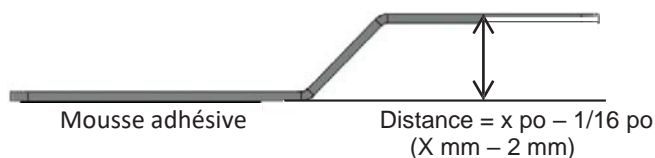
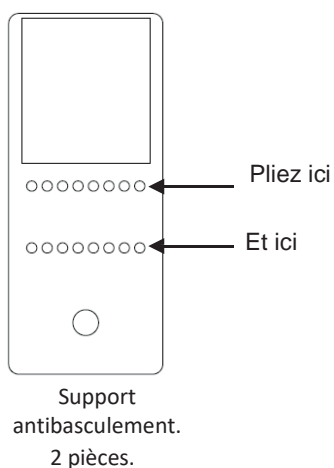
1. Considérez la distance nécessaire pour que l'appareil soit vis-à-vis le devant de votre aménagement.



2. Mesurez la distance entre le dessus de l'appareil et le dessous du comptoir. La mesure X po (mm) peut varier selon la conception du comptoir, la rallonge des pattes de l'appareil, etc.



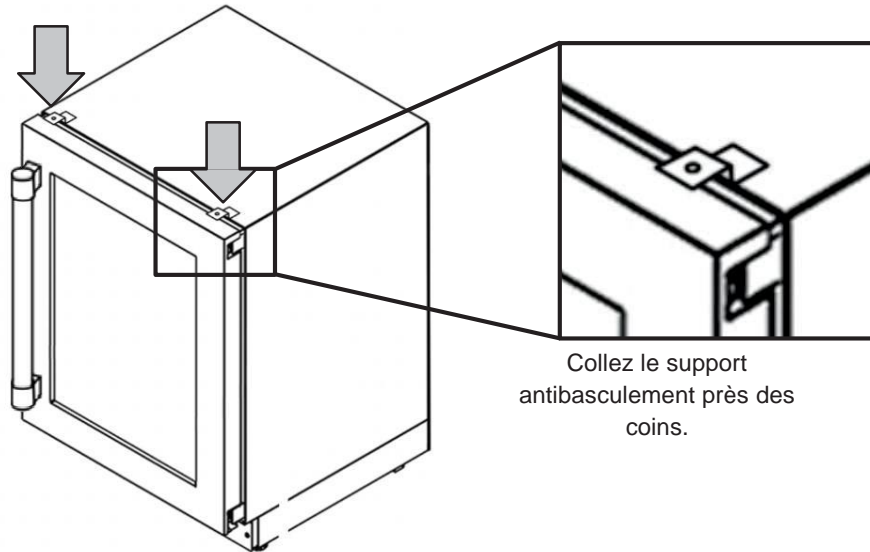
3. Selon la distance = X po (mm) entre l'appareil et le comptoir, pliez les supports antibasculement compris avec l'appareil sur les lignes pointillées afin de former une « marche » de 1/16 po (2 mm) plus petite que la distance = X po (mm) mesurée.



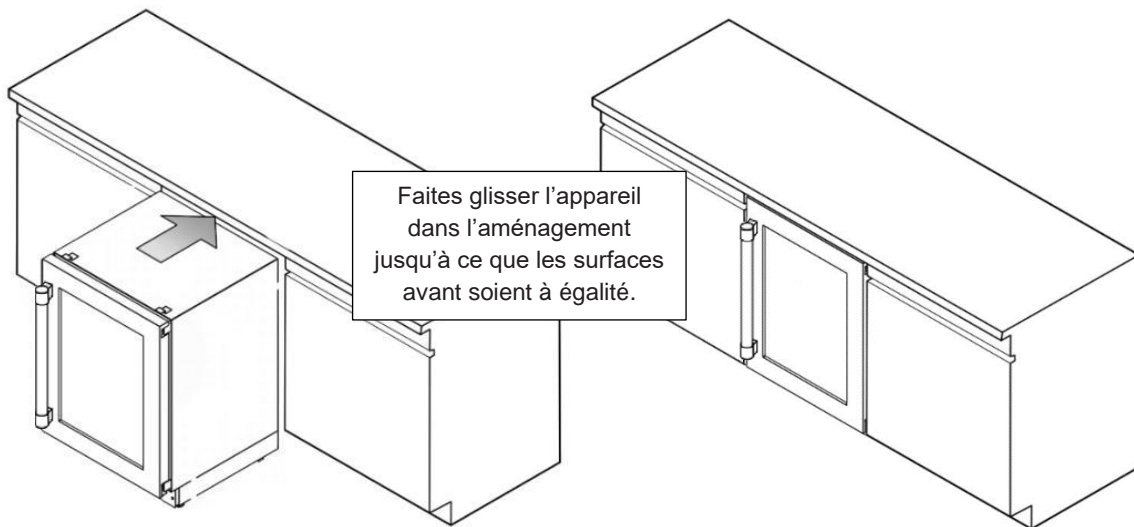
« Marche » créée.

**REMARQUE :** La mousse adhésive doit se trouver dans le fond de la marche, et non sur le côté inverse.

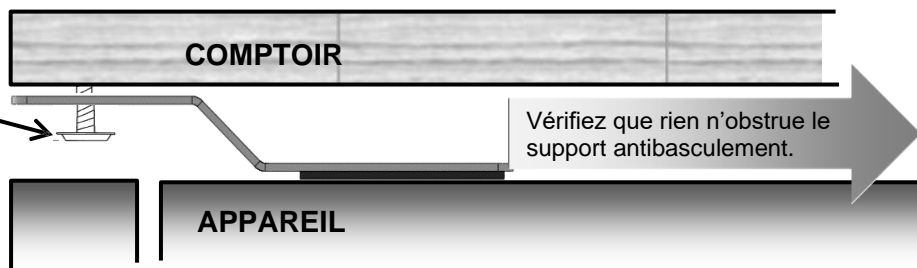
4. Pelez la mousse adhésive et collez le support antibasculement à l'avant, sur le dessus du meuble de l'appareil, près des coins, tel qu'illustré ci-dessous :



5. Faites glisser l'appareil dans l'aménagement jusqu'à ce que le devant de l'appareil soit vis-à-vis le devant de l'aménagement. Vérifiez que rien n'obstrue le support antibasculement lorsqu'il glisse sous le comptoir.



Vissez le support antibasculement au comptoir pour fixer l'appareil.



## Installation du panneau de revêtement

(Modèles T24UR905LP et T24UR905RP seulement)

Si vous prévoyez installer un panneau de revêtement sur mesure, vous devez créer ce panneau vous-même ou faire appel à un ébéniste ou un menuisier.

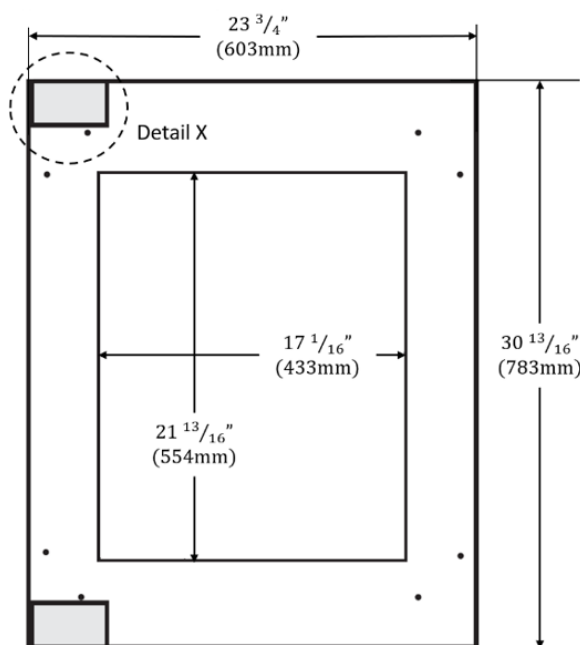
Un gabarit pleine grandeur pour faciliter le marquage des trous est fourni avec la trousse du manuel.

### IMPORTANT :

- L'épaisseur du panneau de revêtement doit être de  $\frac{3}{4}$  po (19 mm).
- Le panneau de revêtement ne doit pas peser plus de 10 lb (4,54 kg).
- Les panneaux de revêtement pesant plus que le poids recommandé peuvent causer des dommages à votre appareil.
- Pour installer le panneau, utilisez seulement les vis comprises dans la « trousse d'installation ».

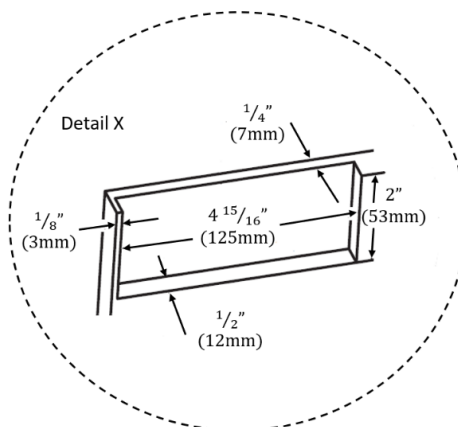
Créez le panneau de revêtement sur mesure selon les dimensions indiquées.

**IMPORTANT :** Les graphiques suivants illustrent un cadre sur mesure pour une porte dont les charnières sont installées du côté droit. Si les charnières de votre Réfrigérateur porte vitrée sont installées du côté gauche, faites tourner le cadre sur mesure de  $180^\circ$  pour que la structure se retrouve à gauche.



### Remarque :

1. La plaque d'appui la plus épaisse doit mesurer  $\frac{3}{4}$  (19 mm).
2. La plaque d'appui ne doit pas peser plus de 10 lbs (4,54 kg).
3. Les plaques d'appui dont le poids dépasse le poids recommandé peuvent endommager votre appareil.
4. Il est recommandé de faire appel à l'aide d'une deuxième personne pour le montage de la plaque.
5. Veuillez utiliser les outils recommandés dans le manuel d'installation pour pouvoir monter facilement la plaque. Si vous n'utilisez pas les outils adéquats, ou si vous ne pouvez pas vous faire aider d'une deuxième personne, vous risquez d'endommager la plaque et/ou l'appareil.
6. L'illustration suivante présente une plaque adaptée pour une porte avec des charnières installées à droite. Si votre cave à vin possède des charnières qui sont installées sur le côté gauche, tournez la plaque adaptée de  $180^\circ$  afin que le montage des charnières se trouve sur le côté gauche.

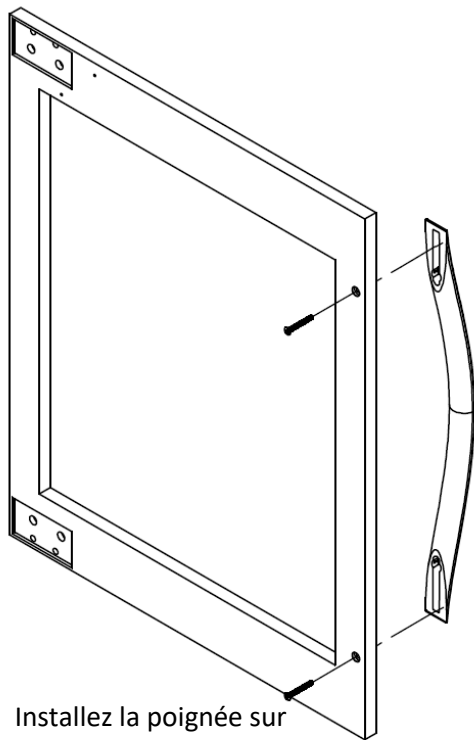


Mesures en pouces (mm)

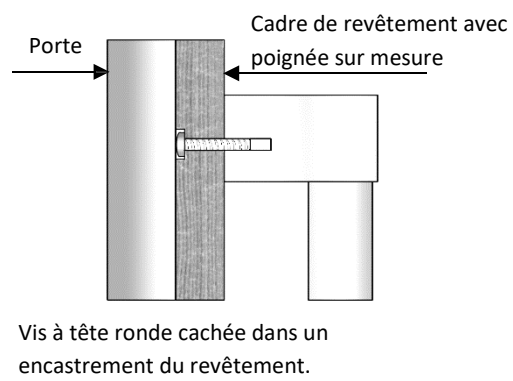
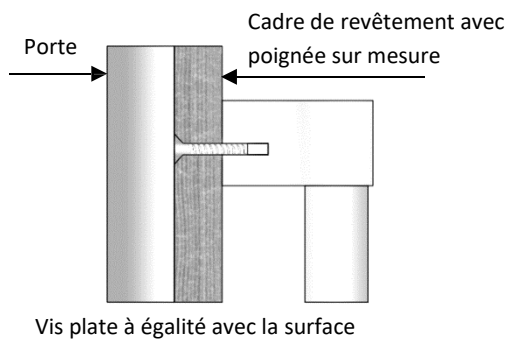
Pour connaître les dimensions en détail, consultez les spécifications de la structure à l'**annexe A**.

**IMPORTANT :** Il est préférable d'installer le cadre de revêtement sur mesure avec l'aide d'une autre personne.

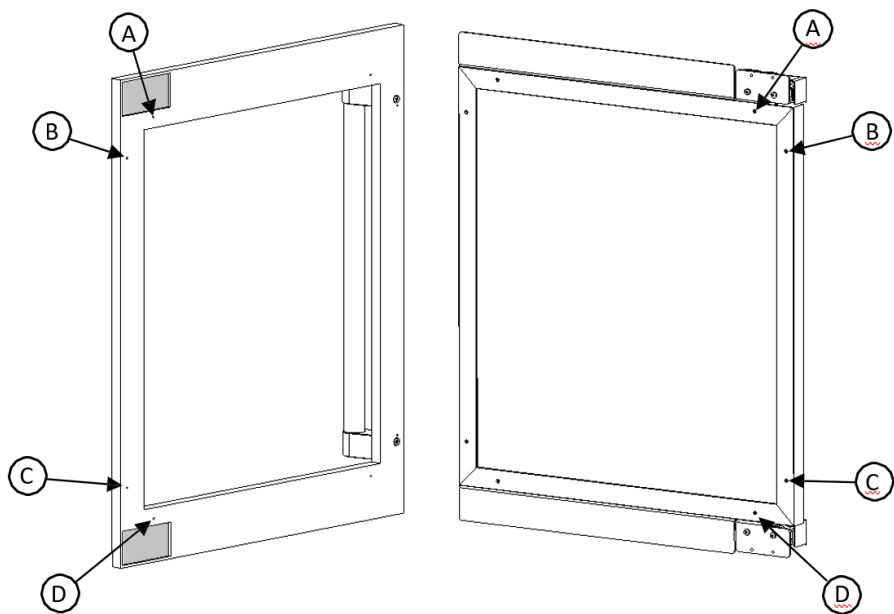
1. Installez la poignée de votre choix sur le cadre de revêtement avant d'installer le cadre sur la porte.
  - Chaque poignée est différente. Il incombe au client de procéder aux modifications nécessaires pour fixer la poignée sur le cadre de revêtement.
  - Les vis utilisées pour fixer la poignée au cadre doivent être plates et vis-à-vis la surface du cadre. Si les vis ne sont pas plates, songez à créer un encastrement dans le revêtement pour cacher la tête de la vis sous la surface du revêtement, sans quoi les vis nuiront au placement exact du revêtement sur la porte.



Installez la poignée sur mesure en premier



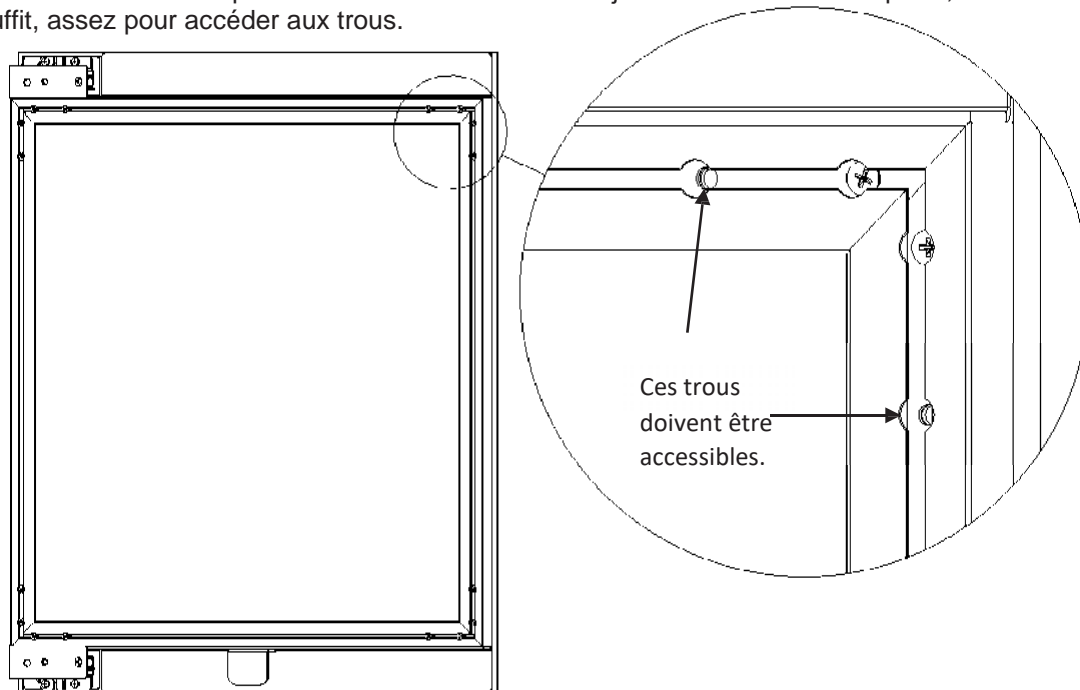
2. Repérez et identifiez chaque paire de trous sur le cadre de revêtement correspondant aux trous sur la porte. Chaque trou doit être aligné avec une vis afin de fixer le revêtement sur la porte.



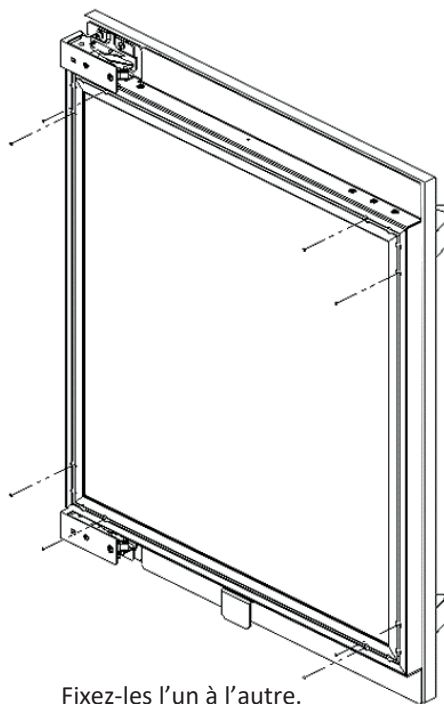
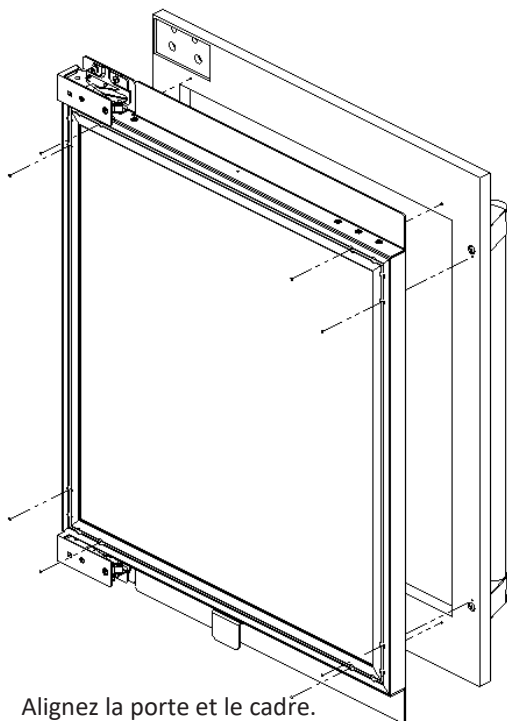


3. Retirez le joint d'étanchéité des coins de la porte en le tirant doucement jusqu'à ce que les deux vis et les deux trous soient visibles. Les deux trous doivent être accessibles pour visser le cadre de revêtement à la porte. Il y a 8 trous au total, deux par coin.

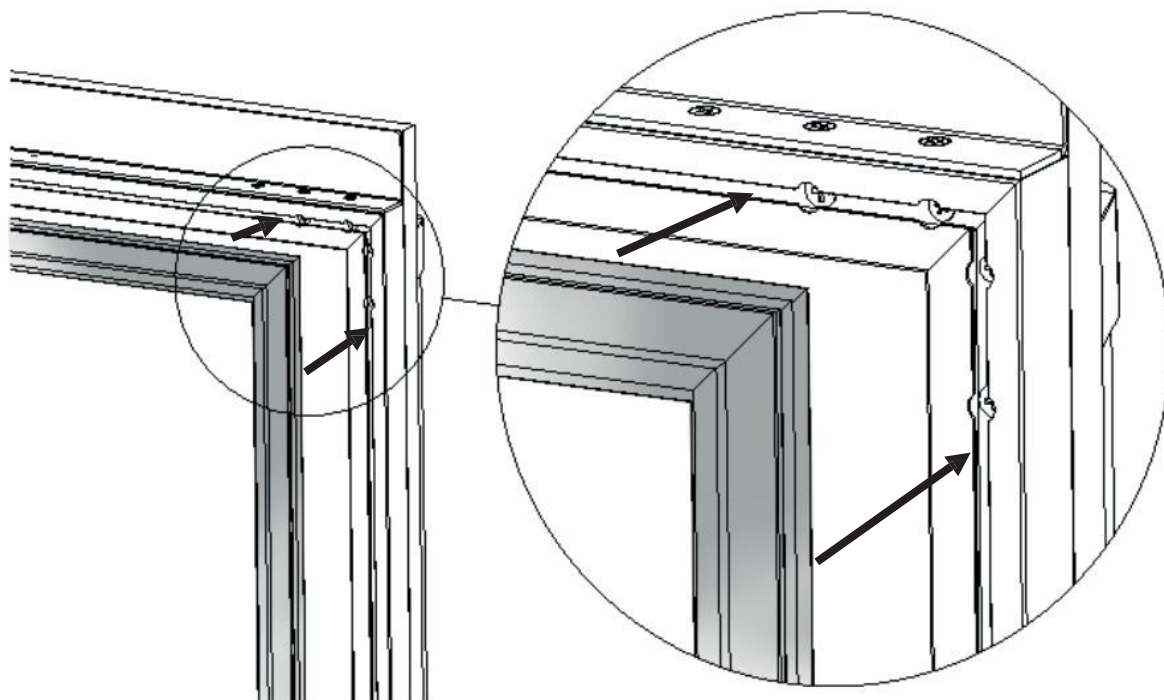
**REMARQUE :** Il n'est pas nécessaire de retirer tout le joint d'étanchéité de la porte, celui du coin suffit, assez pour accéder aux trous.



4. Alignez le cadre de revêtement avec la porte et tenez-les fermement ensemble tout en les vissant. Il est peut-être plus facile de travailler avec une autre personne pour tenir le cadre en place pendant que vous le vissez. À l'aide des 8 vis comprises dans la trousse d'installation, serrez le cadre de revêtement à la porte.

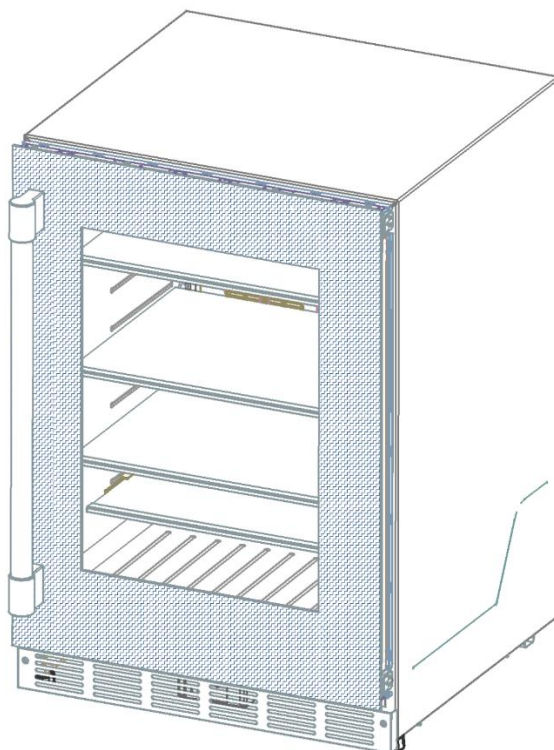


5. Lorsque le cadre de revêtement est bien fixé à la porte avec les 8 vis, remettez le joint d'étanchéité en place en appuyant dessus contre la porte jusqu'à ce qu'il soit bien enfoncé dans son canal.



Remettez le joint d'étanchéité en place

6. Le cadre de revêtement est maintenant prêt.



## Renseignements sur le service à la clientèle

Si une réparation s'avère nécessaire, veuillez appeler votre revendeur ou centre de service après-vente agréé. Ne cherchez pas à réparer l'appareil vous-même. Tout travail exécuté par du personnel non autorisé peut annuler la garantie. Si le problème persiste, prendre les mesures suivantes (dans l'ordre indiqué ci-dessous) jusqu'à ce que le problème ait été résolu à votre entière satisfaction.

4. Appelez votre revendeur ou le prestataire de service après-vente agréé par Thermador de votre région.
5. Écrivez-nous à partir de la page du service à la clientèle de notre site Web, [www.Thermador.com](http://www.Thermador.com).
6. Écrivez-nous à l'adresse ci-dessous :

**BSH Home Appliances Corporation**  
**1901 Main Street, Suite 600**  
**Irvine, CA 92614**

7. Appelez-nous au : 1-800-735-4328

Veuillez indiquer (si vous écrivez) ou avoir à portée de main (si vous appelez) les renseignements suivants:

- Numéro de modèle
- Numéro de série
- Date d'achat original
- Date à laquelle le problème est survenu
- Explication du problème

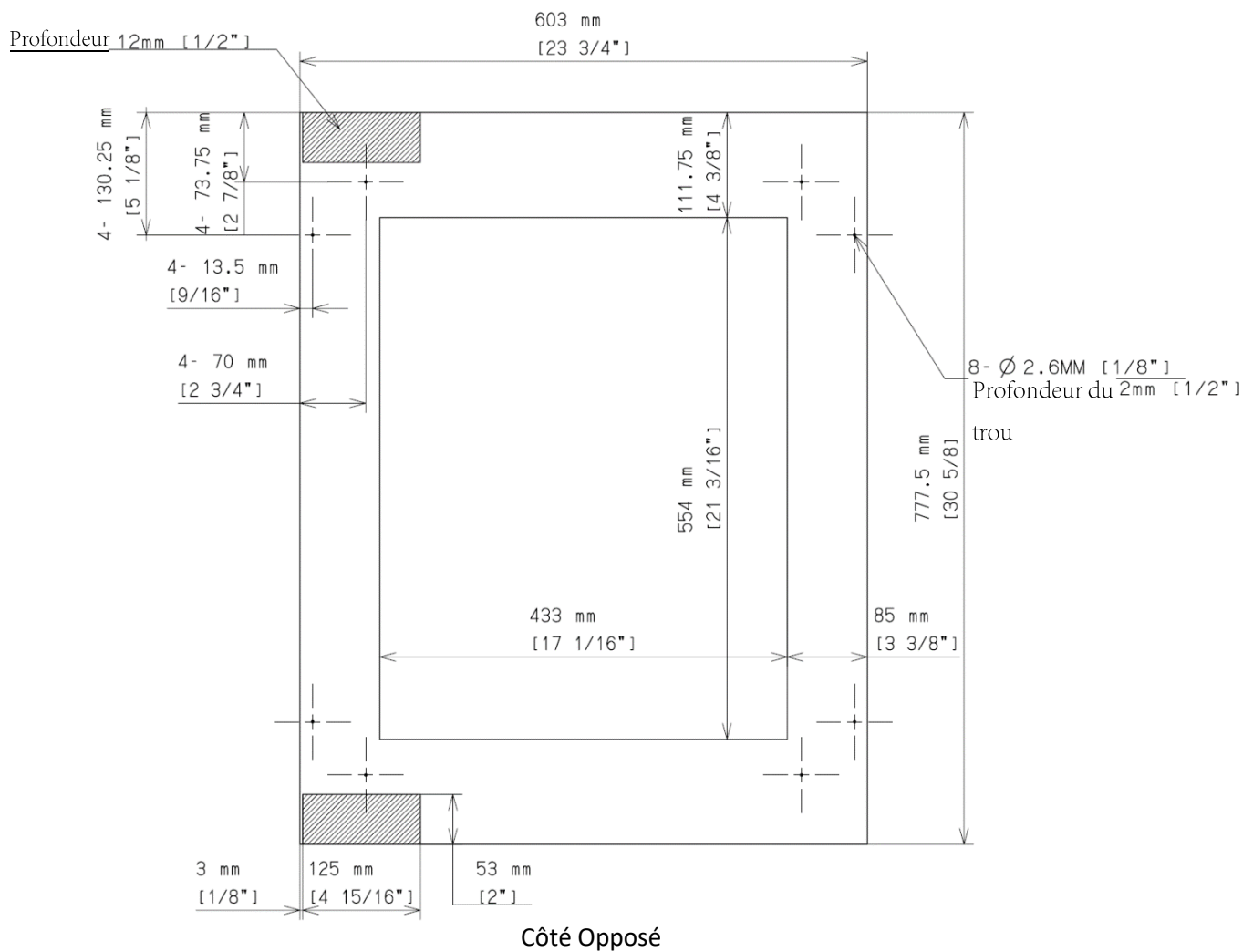
Si vous nous écrivez, veuillez indiquer votre numéro de téléphone de jour. (Le numéro de modèle et le numéro de série sont indiqués sur l'étiquette se trouvant du côté droit du compartiment inférieur).

# Annexe A.

## Dimensions en détail du cadre de revêtement.

### Important

- L'épaisseur du panneau de revêtement doit être de  $\frac{3}{4}$  po (19 mm).
- Le panneau de revêtement ne doit pas peser plus de 10 lb (4,54 kg).



## **Plaque signalétique**

La plaque signalétique indique le numéro de série et le modèle de l'appareil. Elle se trouve à l'intérieur du compartiment, sur le côté opposé de la charnière.

## **Renseignements pour le service après-vente**

Pour référence pratique, copiez l'information du formulaire ci-dessous de la plaque signalétique qui se trouve à l'intérieur du compartiment, sur le côté opposé de la charnière. Conservez votre facture pour valider la garantie.

Numéro de modèle \_\_\_\_\_

Numéro de série \_\_\_\_\_

Date d'achat \_\_\_\_\_

Nom du revendeur \_\_\_\_\_

Numéro de téléphone du revendeur \_\_\_\_\_

Nom du centre de service après-vente \_\_\_\_\_

Numéro de téléphone du service après-vente \_\_\_\_\_

- IMPORTANTE:** Antes de comenzar, lea las instrucciones completa y cuidadosamente.
- INSTALADOR:** Déjele este manual al propietario para que lo consulte en el futuro.
- PROPIETARIO:** Guarde estas instrucciones de instalación para que las utilice el inspector eléctrico local y para consultar en el futuro.

## Índice

<b>Instrucciones importantes de seguridad .....</b>	<b>47</b>
- Inspección del refrigerador con puerta de vidrio	
<b>Herramientas necesarias para la instalación .....</b>	<b>48</b>
<b>Materiales suministrados .....</b>	<b>48</b>
<b>Instalación del electrodoméstico .....</b>	<b>49</b>
- Transporte	
- Medidas generales	
- Ubicación de la instalación	
- Instalación lado a lado	
<b>Ventilación .....</b>	<b>53</b>
<b>Conexión del electrodoméstico .....</b>	<b>53</b>
- Conexión eléctrica	
<b>Apertura de la puerta .....</b>	<b>55</b>
<b>Instalación de los soportes antivuelco .....</b>	<b>57</b>
<b>Instalación del marco de revestimiento .....</b>	<b>61</b>
<b>Información de Atención al cliente .....</b>	<b>65</b>
<b>Apéndice A .....</b>	<b>66</b>

## Instrucciones importantes de seguridad

¡LEA Y GUARDE ESTAS INSTRUCCIONES!

Estas instrucciones de instalación deben ser utilizadas por instaladores calificados.

Además de estas instrucciones, el electrodoméstico debe instalarse:

- En los Estados Unidos, de acuerdo con el Código Eléctrico Nacional, los códigos estatales y municipales o los códigos locales.
- En Canadá, de acuerdo con la última edición del Código Eléctrico Canadiense C22.1, los códigos provinciales y municipales o los códigos locales.

Lea estas instrucciones de instalación completa y cuidadosamente.

Esto le ahorrará tiempo y trabajo y ayudará a garantizar un rendimiento óptimo.

Asegúrese de respetar todas las advertencias y precauciones indicadas.

Esté atento a los triángulos con signos de exclamación en su interior.



### ADVERTENCIA:

Esto indica que se podrían producir muertes o lesiones graves por no respetar esta advertencia.



### PRECAUCIÓN:

Esto indica que se podrían producir lesiones menores o moderadamente graves por no respetar esta advertencia.

### NOTA:

Se utiliza para dirigir la atención del usuario a algo en particular.

## ADVERTENCIAS DE LA PROPUESTA 65 DEL ESTADO DE CALIFORNIA

Este producto puede contener un químico conocido por el estado de California, que puede causar cáncer o problemas reproductivos. Por lo tanto, el empaque de su producto puede incluir esta etiqueta requerida por el estado de California:



### Importante.

- **INSTALACIÓN NUEVA:** Si el electrodoméstico es una instalación nueva, la mayor parte del trabajo debe realizarse antes de colocar la unidad en su lugar.
- **REEMPLAZO:** Si el electrodoméstico reemplazará a otro electrodoméstico, **se debe controlar la compatibilidad** de las conexiones del electrodoméstico que se reemplazará con las de la unidad nueva y reemplazarlas, según sea necesario.

### Inspección del Refrigerador con Puerta de Vidrio

Retire la cinta, el embalaje y las cubiertas plásticas.

Luego de desembalar el electrodoméstico y antes de su instalación, inspeccione completamente el refrigerador con puerta de vidrio en busca de posibles daños cosméticos u ocasionados por el transporte. Informe de inmediato cualquier daño que observe.

**NOTA:** No deseche ninguna bolsa ni elemento que venga con el embalaje original hasta que se haya completado toda la instalación.

## Herramientas necesarias para la instalación



Cinta métrica



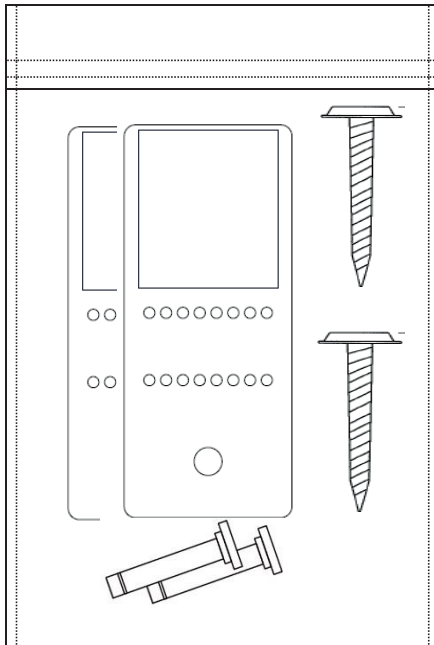
Destornillador Philips



Nivel

Estas son las herramientas que podrá necesitar para la instalación del electrodoméstico. Sin embargo, si debe modificar la encimera u otros muebles de cocina para adaptar la unidad, es posible que necesite otras herramientas a fin de realizar las modificaciones a la encimera o los otros muebles antes de instalar el electrodoméstico.

## Materiales suministrados



Soporte antivuelco: 2 unidades.

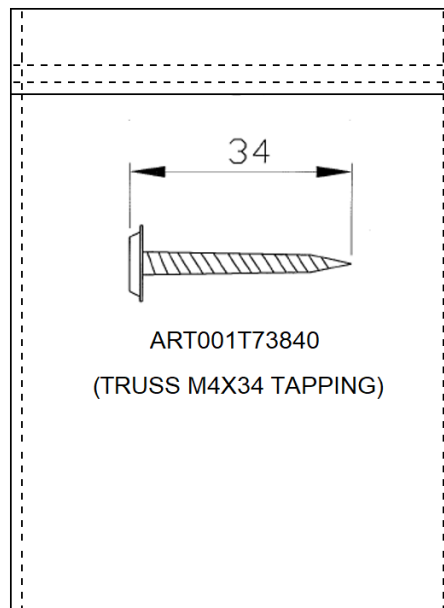
Tornillos: 2 unidades.

Pasador de tope de puerta: 1

1 espuma aislante (no se muestra)

de 20 1/2" (520 mm) x 29 1/8"

(740 mm) x 1/8" (3 mm)



Tornillos para el panel de recubrimiento:

ART001T73840 (ALOMADOS M4X34

ROSCANTES). 8 unidades.

**SOLO PARA LOS MODELOS**

**T24UR905LP Y T24UR905RP**



## Instalación del electrodoméstico

La mayor parte del trabajo de instalación debe realizarse antes de que el refrigerador con puerta de vidrio se coloque en su lugar. Solicite a un técnico calificado que instale y conecte el electrodoméstico según las instrucciones de instalación adjuntas.



### ADVERTENCIA:

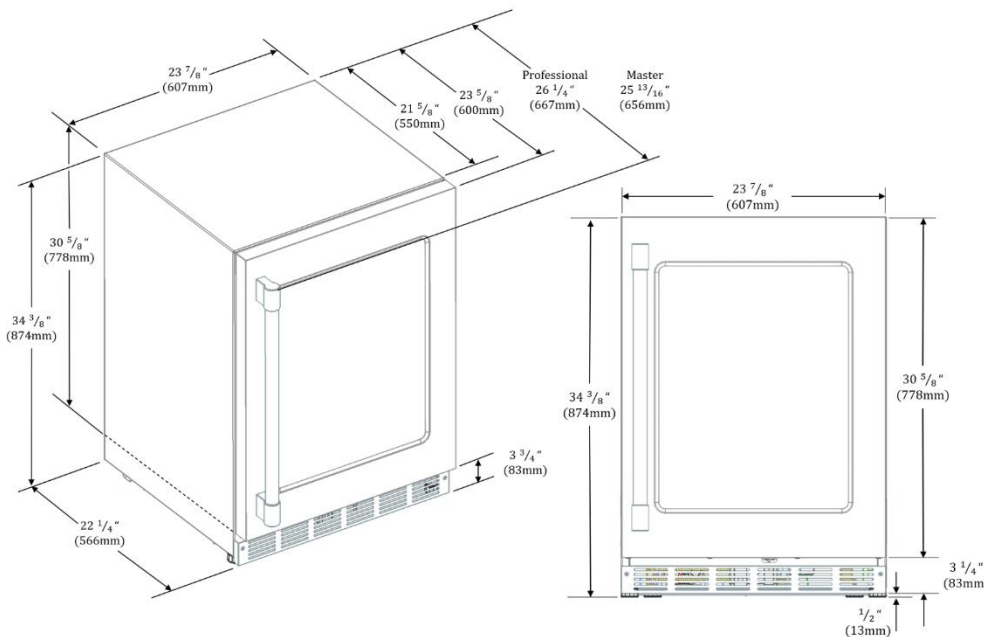
No instale este electrodoméstico:

- Al aire libre.
- En un entorno donde gotee agua.
- En habitaciones donde haya riesgo de congelamiento.

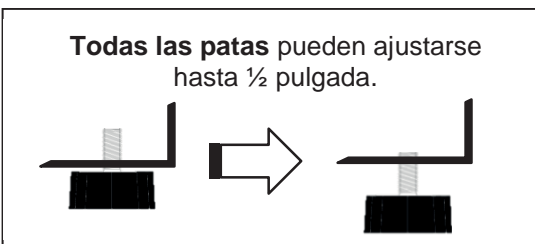
## Transporte

El electrodoméstico es pesado y debe manipularse con cuidado durante el transporte y la instalación. Debido al peso y a las dimensiones del electrodoméstico, se necesitan, como mínimo, dos personas para moverlo hasta su lugar de manera segura y evitar lesiones en las personas o daños en el electrodoméstico.

## Medidas generales



Nota: Con las patas totalmente retraídas el electrodoméstico tiene una dimensión mínima de 34 3/8" desde la parte superior a la parte inferior. Las patas pueden ser extendidas hasta 1/2" (13mm).



## Ubicación de la instalación

Una habitación seca y bien ventilada es una ubicación de instalación adecuada. La ubicación de la instalación no debe estar expuesta a luz solar directa y no debe encontrarse cerca de una fuente de calor; p. ej., una cocina, un radiador, etc.

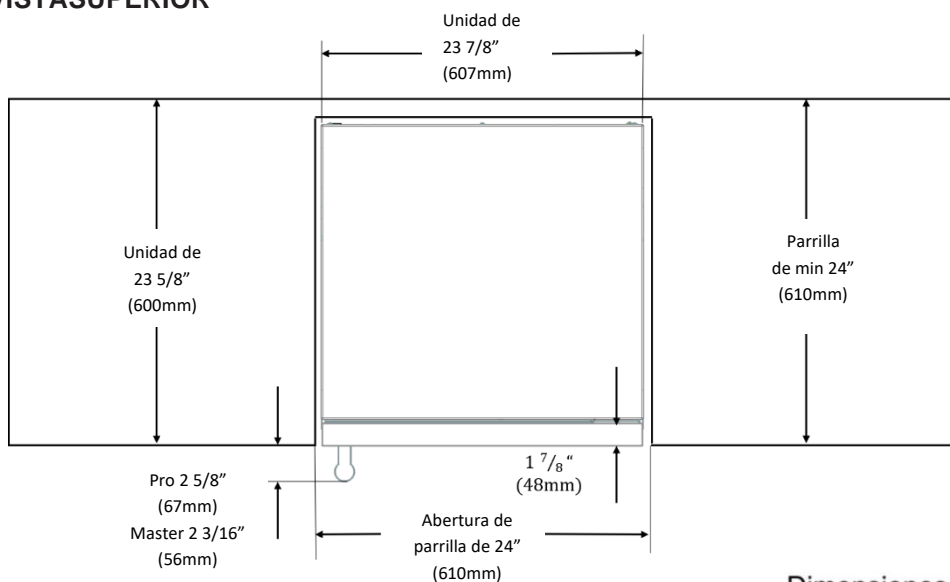
Si resulta inevitable instalarlo junto a una fuente de calor, utilice una placa aislante adecuada o respete la distancia mínima desde la fuente de calor.

- A hornos/hornillas eléctricos o a gas, 1¼" (3 cm).
- A una cocina alimentada con combustible o carbón, 1113/16" (30 cm).
- A otro enfriador de vinos o refrigerador, 1" (2.54 cm).

El piso de la ubicación de la instalación no debe hundirse; de ser necesario, refuerce el piso. El electrodoméstico debe estar en posición vertical y a nivel a fin de funcionar correctamente.

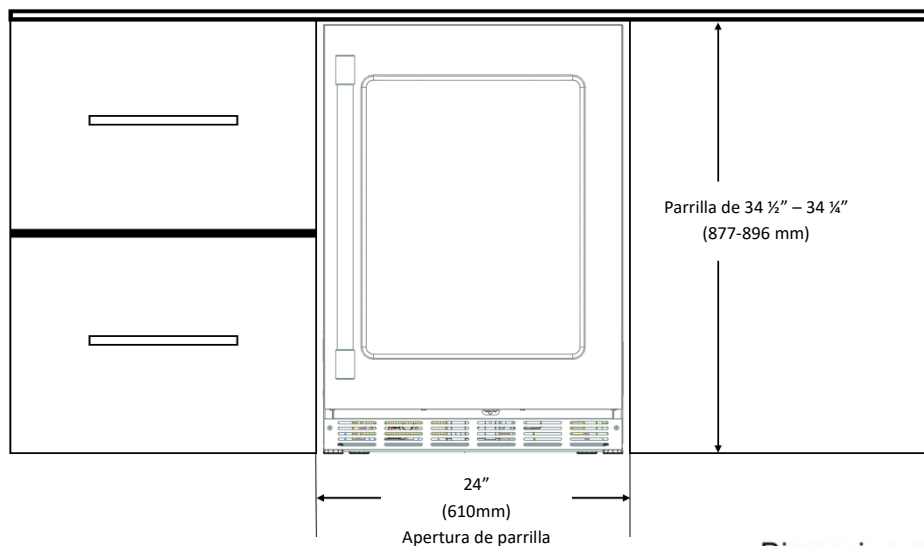
Para un funcionamiento y apariencia correctos de la unidad, la apertura del gabinete debe ser cuadrada y tener las dimensiones que se indican en los próximos diagramas.

### VISTA SUPERIOR



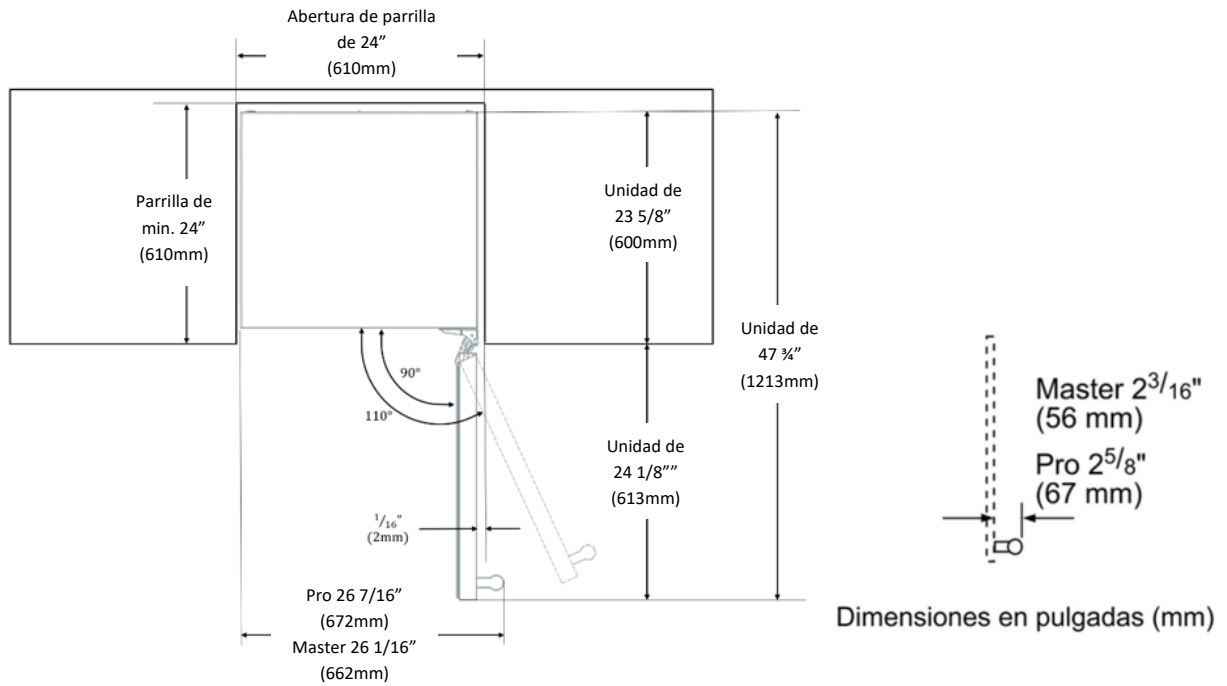
Dimensiones en pulgadas (mm)

### VISTA FRONTAL

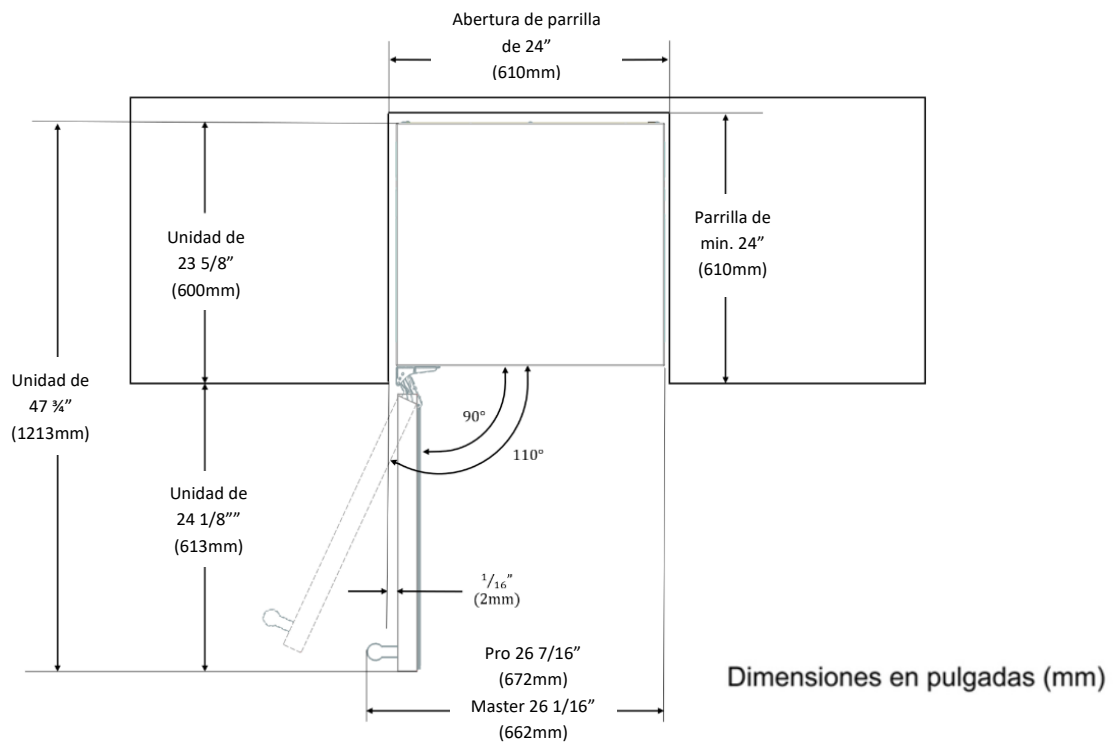


Dimensiones en pulgadas (mm)

### VISTA SUPERIOR CON APERTURA HACIA LA DERECHA



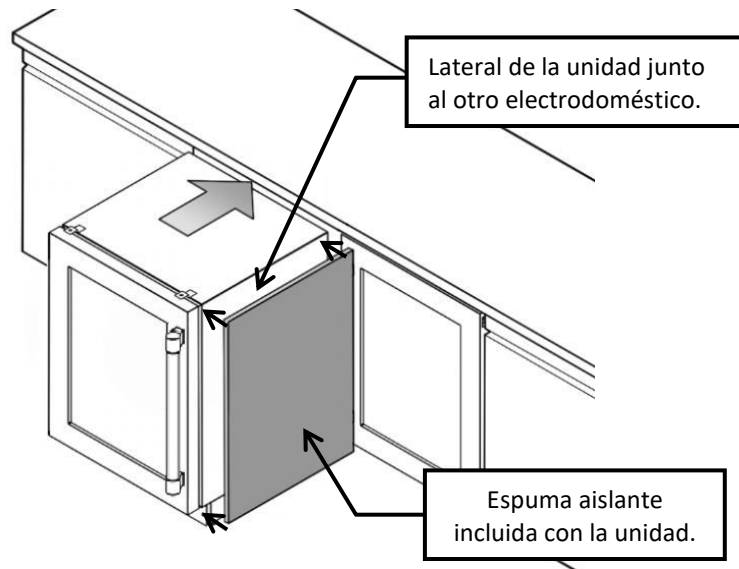
### VISTA SUPERIOR CON APERTURA HACIA LA IZQUIERDA



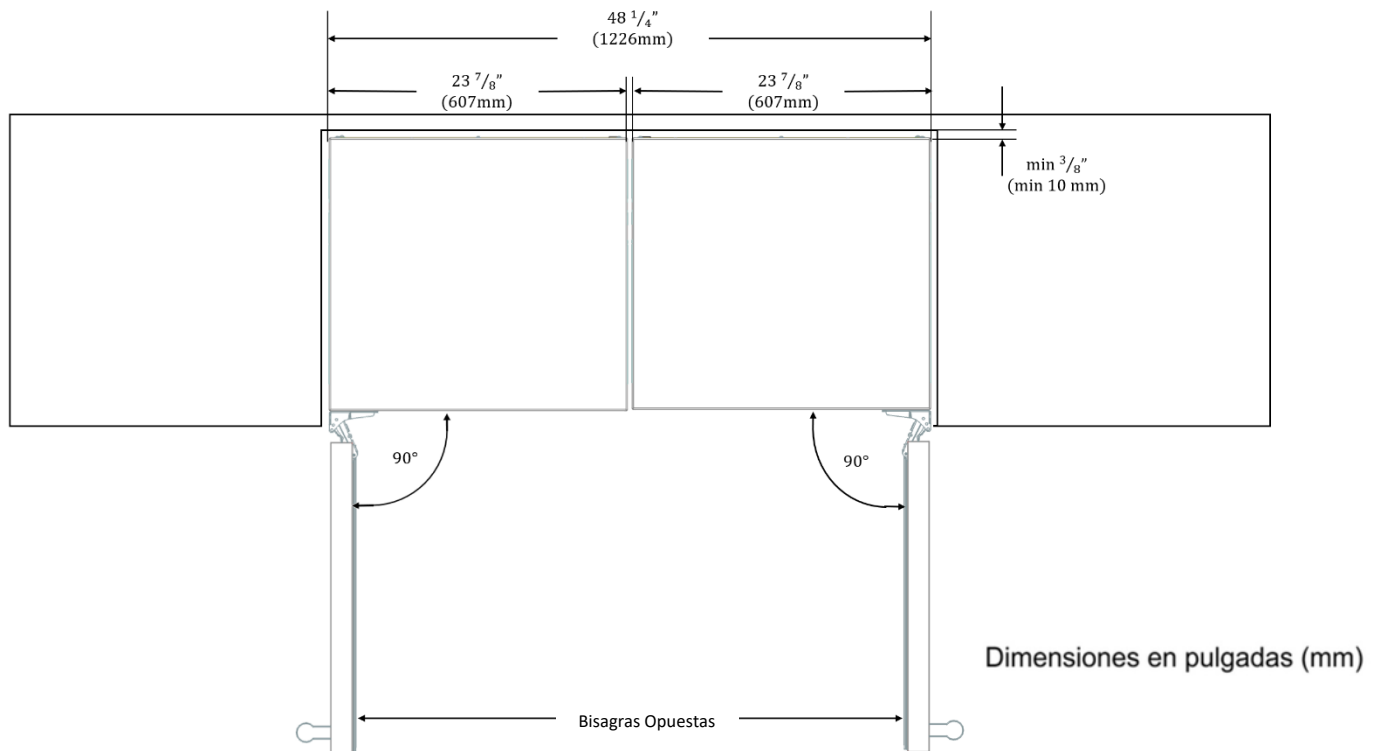
## Instalación lado a lado

El electrodoméstico puede instalarse junto a otro electrodoméstico Thermador. Siga las siguientes dimensiones y notas para instalar correctamente el electrodoméstico en una disposición lado a lado.

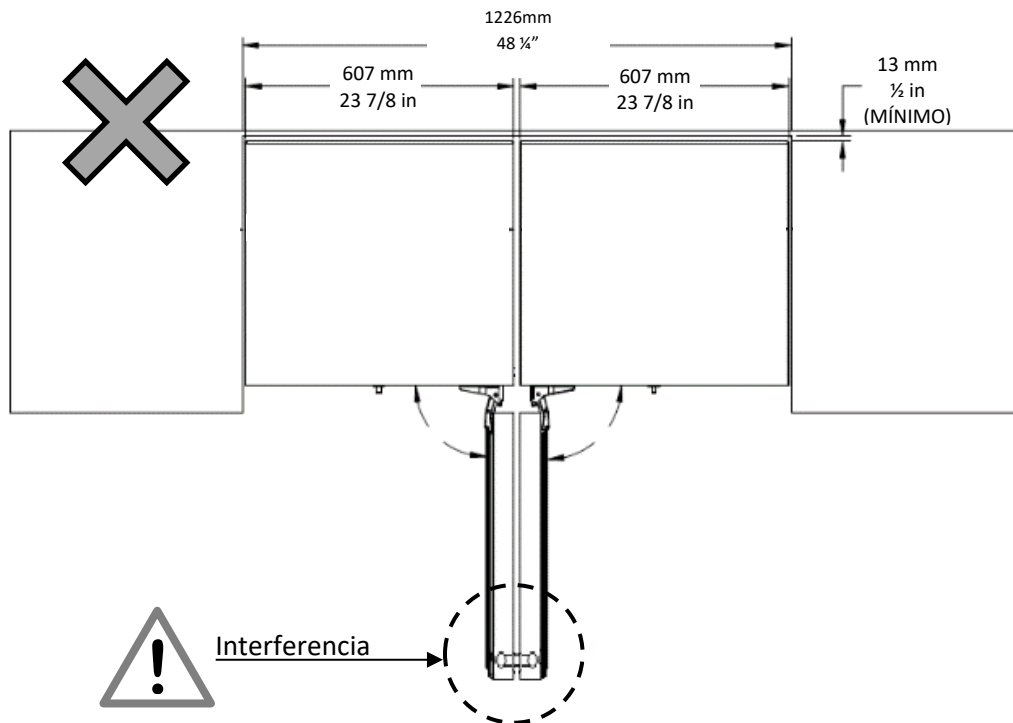
**NOTA:** Antes de colocar la unidad en el nicho, adhiera la espuma aislante (incluida con el producto) al lateral de la unidad que se colocará junto al electrodoméstico adicional. Asegúrese de que la espuma aislante esté a nivel con la superficie de la unidad y que no haya burbujas ni bultos en la espuma aislante después de adherirla a la unidad.



Instale los dispositivos en una configuración de “puerta francesa”; los electrodomésticos con bisagra izquierda deben estar opuestos a otros con bisagra derecha.

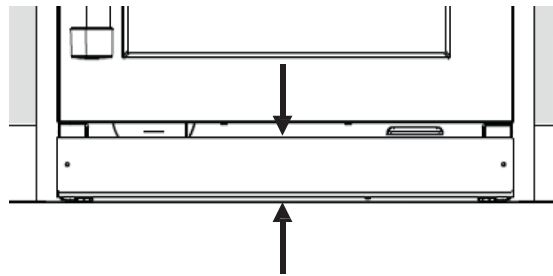


No coloque un electrodoméstico con bisagra derecha junto a un electrodoméstico con una bisagra izquierda.



## Ventilación

El Refrigerador con Puerta de Vidrio solo se ventila por el zócalo de la base. Nunca cubra dicha área ni coloque nada frente a ella. De lo contrario, el rendimiento de enfriamiento se verá afectado y la unidad deberá trabajar más, lo que aumentará el consumo de energía.



## Conexión del electrodoméstico

Luego de instalar el electrodoméstico, espere al menos 1 hora para encenderlo. Durante el transporte, es posible que el aceite del compresor fluya hasta el sistema de refrigeración.

Antes de encender el electrodoméstico por primera vez, limpie su interior (consulte el capítulo “**Limpieza del electrodoméstico**” en la Guía de uso y mantenimiento).

## Conexión eléctrica



### ADVERTENCIA:

Estas instrucciones de instalación deben ser utilizadas por instaladores calificados.



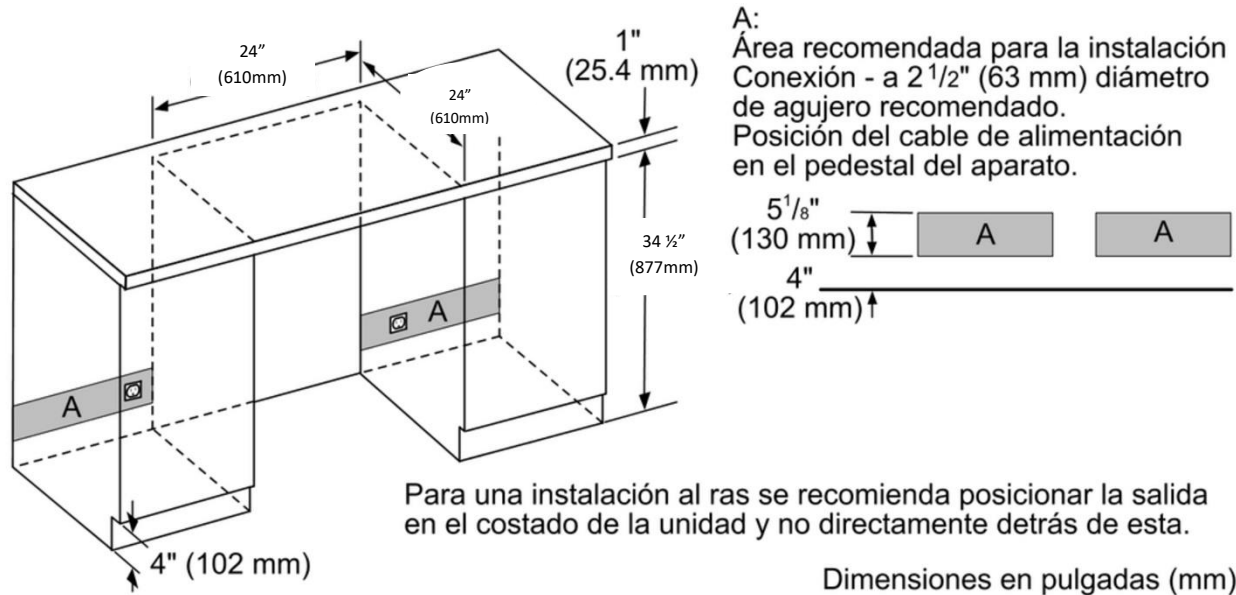
### ADVERTENCIA:

¡Evite el riesgo de sufrir una descarga eléctrica!  
Inserte en un receptáculo con conexión a tierra.  
Nunca retire la fase de conexión a tierra.  
No utilice adaptadores.  
No utilice cables de extensión.



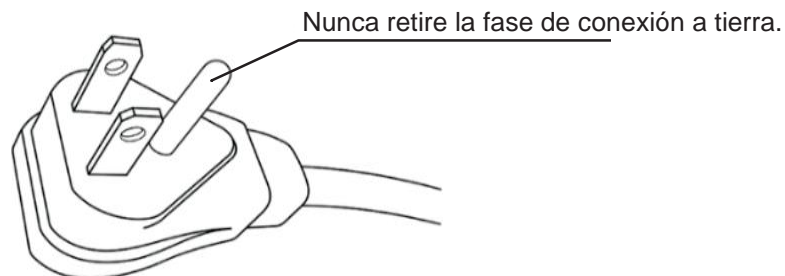
### ADVERTENCIA:

Es responsabilidad del cliente asegurarse de que la instalación del electrodoméstico cumpla con todos los códigos y ordenanzas eléctricos, tanto nacionales como locales. El no cumplimiento de estas instrucciones podría provocar muertes, incendios o descargas eléctricas.  
El receptáculo debe estar cerca del electrodoméstico, 61" (1550 mm) a la derecha del electrodoméstico o 37" (940 mm) a la izquierda del electrodoméstico, y debe poder accederse fácilmente a él después de la instalación del electrodoméstico para reparaciones futuras.



El electrodoméstico cumple con la clase de protección I. Conecte el electrodoméstico a corriente alterna de 115 V/60 Hz a través de un receptáculo correctamente instalado con terminal conectado a tierra.

El electrodoméstico viene con un cable de alimentación de 3 hilos registrado en UL, tipo NEMA 5-15p. El electrodoméstico requiere un receptáculo de 3 polos.



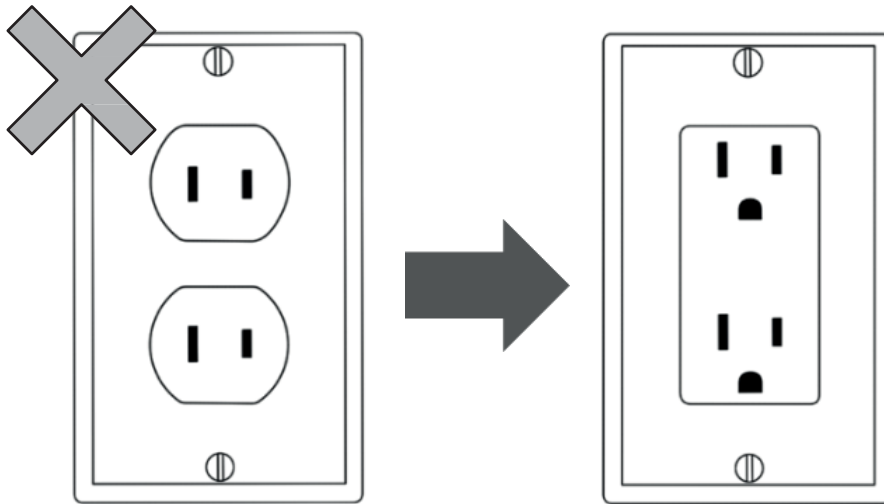
## ADVERTENCIA:

Nunca conecte el electrodoméstico a enchufes de ahorro de energía eléctrica. Este electrodoméstico puede utilizarse con inversores controlados por redes eléctricas o inversores sinusoidales. Los inversores controlados por redes eléctricas se utilizan para los sistemas fotovoltaicos, que se conectan directamente a la red nacional. Los inversores sinusoidales deben utilizarse para aplicaciones aisladas (p. ej., en embarcaciones o en albergues de montaña), que no están directamente conectadas a la red nacional.

El electrodoméstico requiere una toma de corriente de 3 polos. La toma de corriente solo debe ser conectada por un electricista calificado.

Donde haya una toma de corriente de pared estándar de 2 polos, es responsabilidad del cliente reemplazar esta toma con una toma de pared de 3 polos correctamente conectada a tierra. No utilice enchufes adaptadores.

Asegúrese de haya una toma de corriente eléctrica accesible y cerca de su refrigerador con puerta de vidrio.



Es Recomendable utilizar un circuito separado solo para el electrodoméstico. Utilice una toma de corriente que no puede desactivarse con un apagador. No utilice cables de extensión.

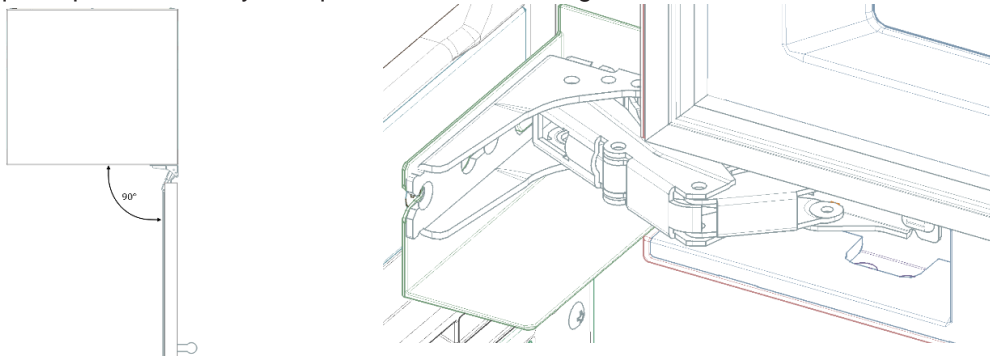
La toma de corriente de pared estándar de 2 polos debe ser reemplazada por una de 3 polos con conexión a tierra. No utilice adaptadores.

## Apertura de la puerta.

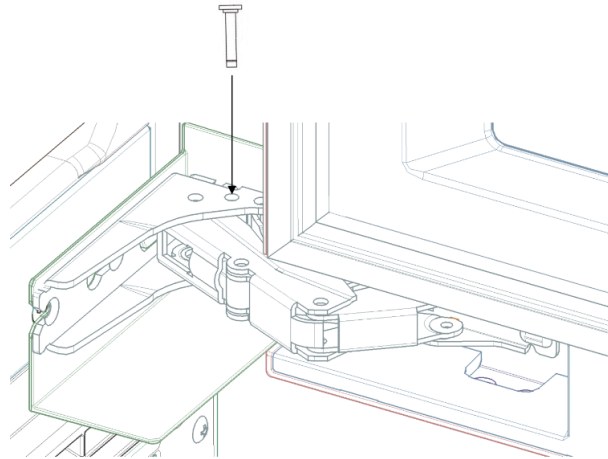
La puerta de su refrigerador con puerta de vidrio está configurado, de forma predeterminada, para tener una apertura de hasta 115°. Esto facilita el acceso a los estantes para cargarlos y limpiarlos. Sin embargo, si el electrodoméstico se instala debajo de la encimera, se recomienda instalar los pasadores de tope de puerta en la bisagra para evitar golpear la pared, los gabinetes u otro electrodoméstico instalado junto al refrigerador con puerta de vidrio.

Para instalar el pasador de tope de puerta, siga las instrucciones a continuación:

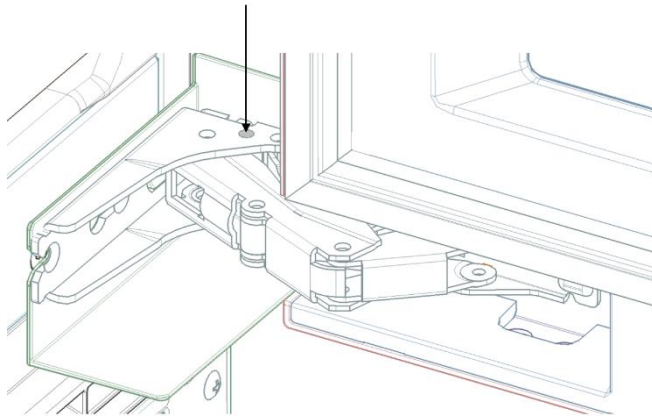
1. Coloque la puerta a  $<90^\circ$  y colóquese cerca de la bisagra inferior de su electrodoméstico.



2. Tome de la bolsa el pasador incluido con su electrodoméstico e insértelo en el orificio como se muestra:



3. Presione Firmemente para asegurarse de que el pasador a bloqueado la bisagra



Ahora, la puerta solo se abre a 90°.

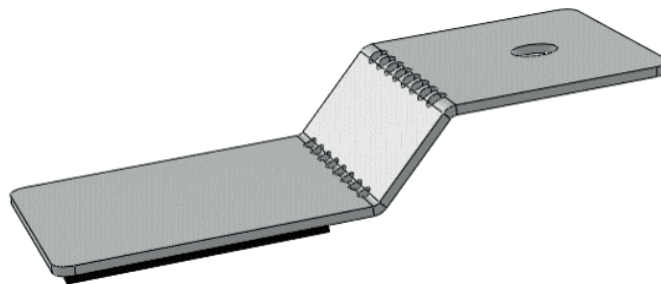
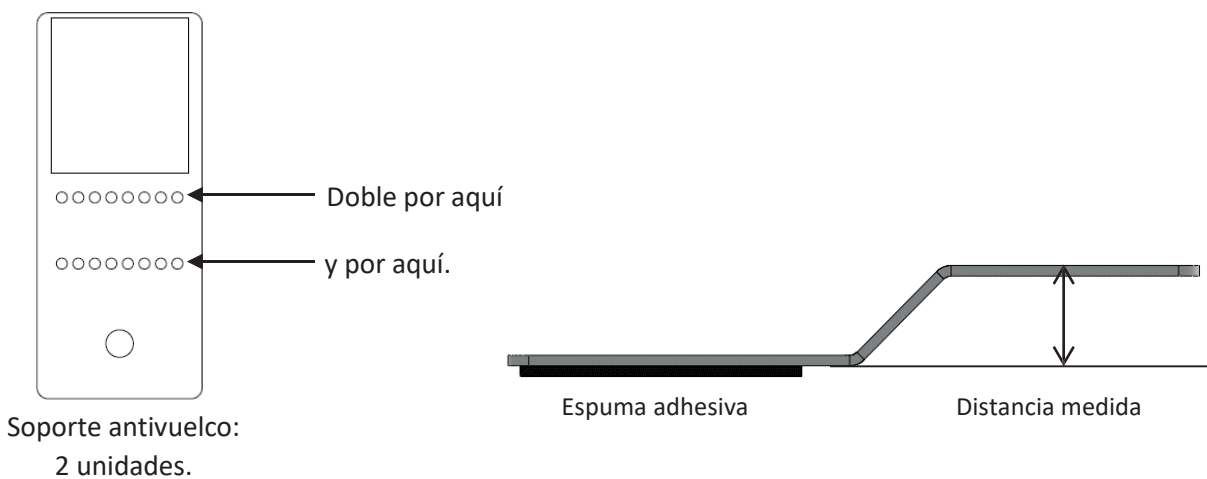


## Instalación de los soportes antivuelco

El electrodoméstico incluye dos soportes antivuelco. Si sus muebles de cocina no están diseñados para las dimensiones específicas de su electrodoméstico, o si tiene pensado utilizar el electrodoméstico como una unidad independiente, debe utilizar estos soportes a fin de evitar que su electrodoméstico se incline debido a situaciones de sobrepeso fuera de equilibrio en las que la puerta está abierta y hay varios botelleros extraídos.

### Para uso independiente

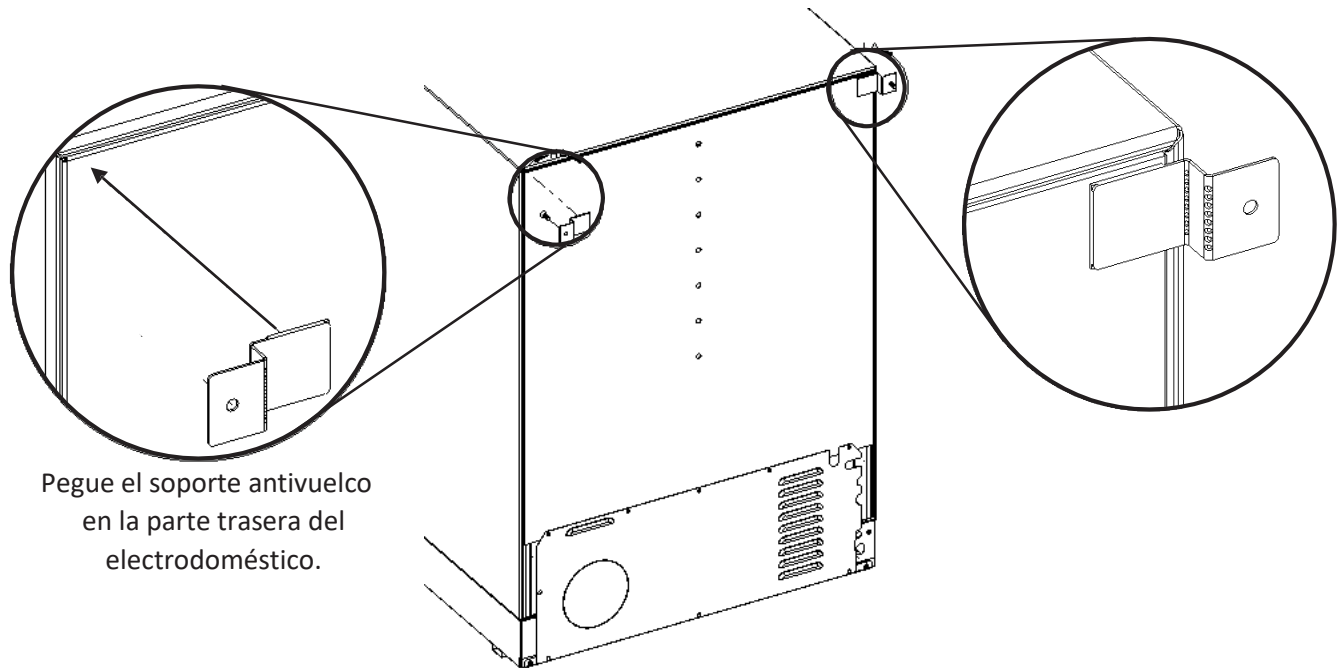
1. Tenga en cuenta la distancia necesaria para que el electrodoméstico esté alineado con el frente de sus muebles de cocina. Si no hay muebles, coloque la unidad cerca de la pared, luego tome la medida del espacio que queda libre en la parte posterior, entre la unidad y la pared.
2. Según la distancia medida entre la parte posterior de la unidad y la pared, doble el soporte antivuelco (incluido con la unidad) por las líneas de puntos para formar un "escalón" con la misma distancia medida.



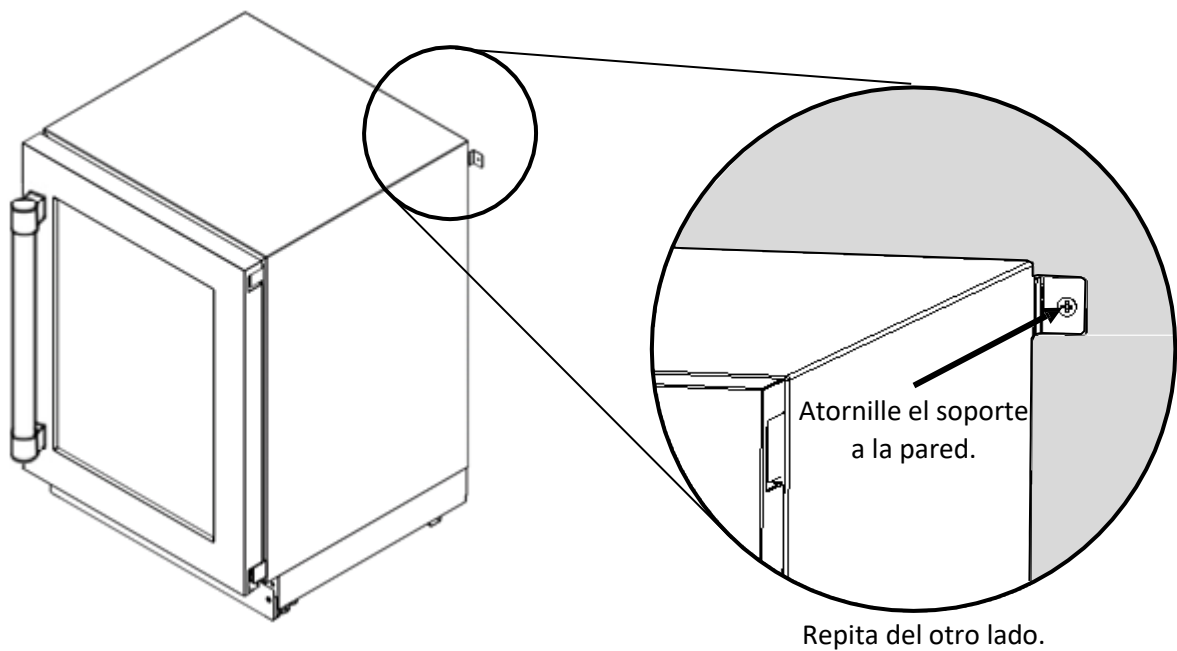
"Escalón" formado resultante.

**NOTA:** La espuma adhesiva debe estar en la parte inferior del escalón, nunca en el lado del revés.

3. Despegue la espuma adhesiva y pegue el soporte antivuelco a ambos lados de la parte posterior del electrodoméstico, como se muestra en las ilustraciones.

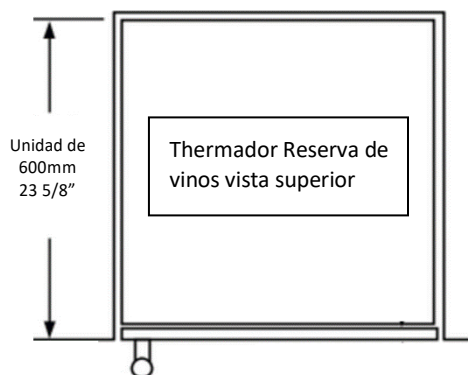


4. Con los soportes antivuelco pegados en la parte posterior del electrodoméstico, deslice el electrodoméstico hasta la pared hasta que el soporte antivuelco toque la pared. Con los tornillos suministrados, ajuste el soporte antivuelco a la pared en ambos lados.  
**NOTA:** No ajuste la unidad a una pared de yeso. Asegure la unidad a una superficie sólida.

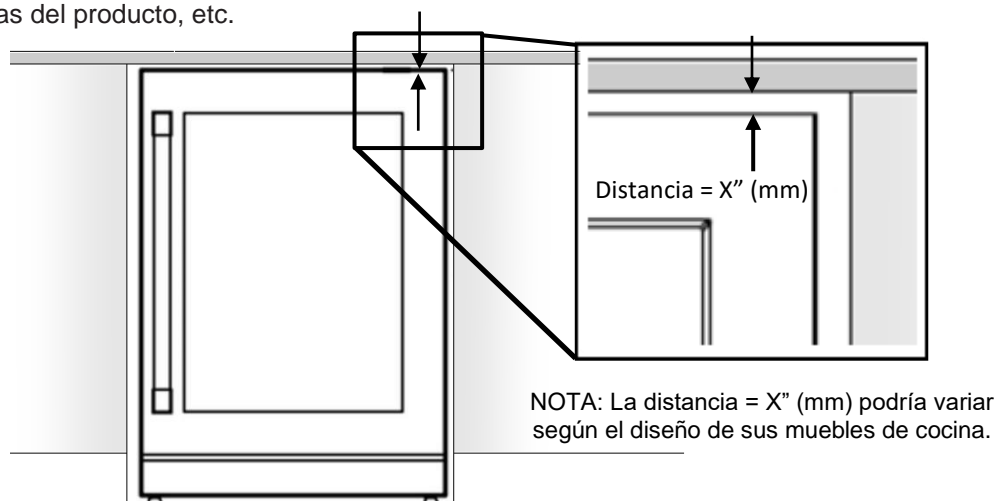


## Para uso debajo de la encimera

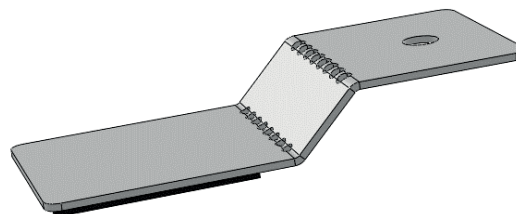
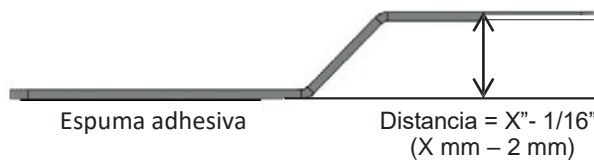
1. Tenga en cuenta la distancia necesaria para que el electrodoméstico esté alineado con el frente de sus muebles de cocina.



2. Tome la medida desde la parte superior del gabinete de la unidad hasta la parte inferior de la encimera. La medición  $X''$  (mm) podría variar según el diseño de la encimera, la extensión de las patas del producto, etc.



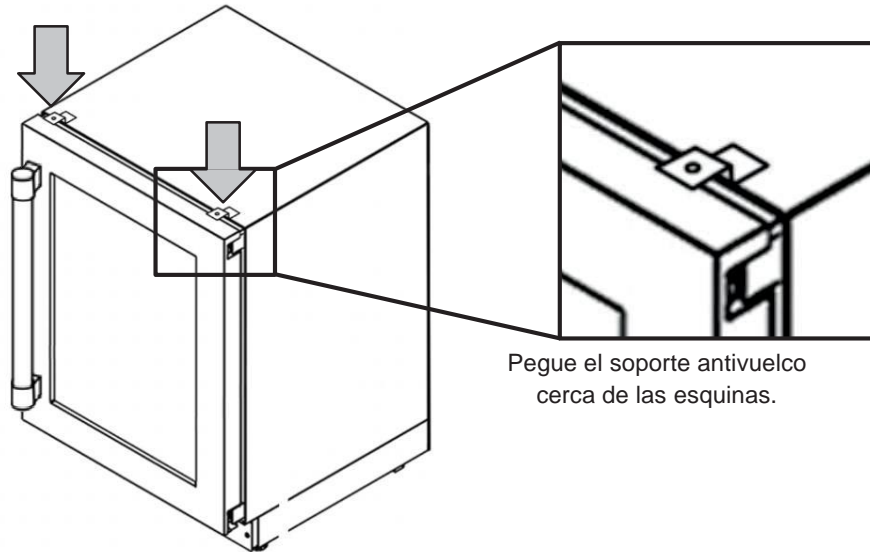
3. Según la distancia =  $X''$  (mm) entre el electrodoméstico y la encimera, doble los soportes antivuelco incluidos con el electrodoméstico por las líneas de punto para formar un "escalón" 1/16" (2 mm) más pequeño que la distancia =  $X''$  (mm) medida.



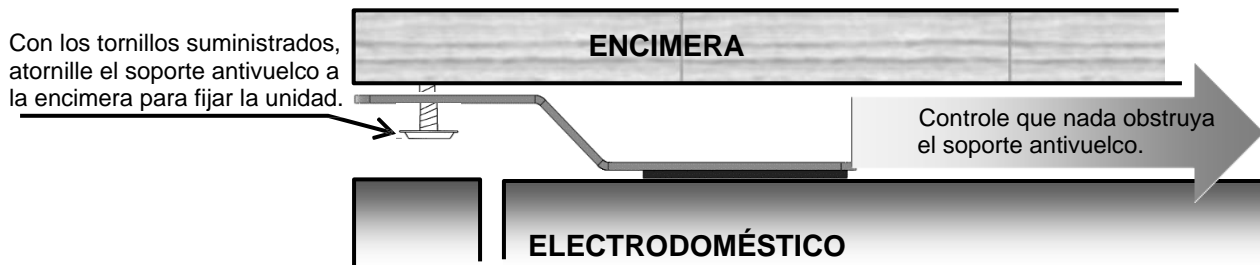
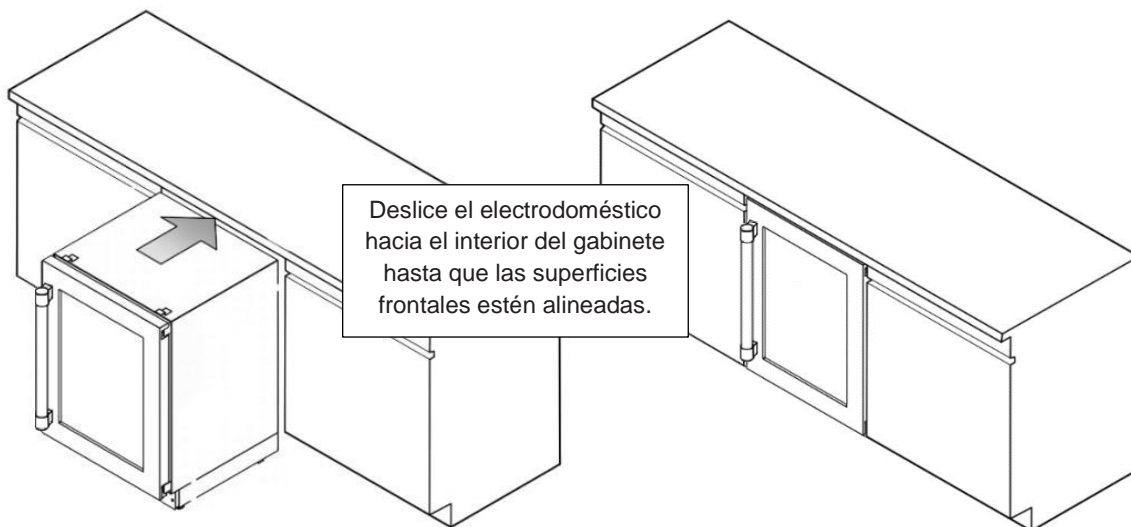
"Escalón" formado resultante.

**NOTA:** La espuma adhesiva debe estar en la parte inferior del escalón, nunca en el lado del revés.

4. Despegue la espuma adhesiva y pegue el soporte antivuelco en el frente de la parte superior del gabinete del electrodoméstico, cerca de las esquinas, como se muestra en la imagen:



5. Deslice el electrodoméstico hacia el interior del gabinete hasta que la parte delantera del electrodoméstico esté alineada con la parte delantera de los muebles de cocina. Controle que nada interfiera ni obstruya el soporte antivuelco mientras lo desliza debajo de la encimera.



## Instalación del marco de revestimiento

(Solo para modelos T24UR905LP y T24UR905RP)

Si piensa instalar un marco de revestimiento personalizado, deberá crear el marco usted mismo o consultar a un fabricante de gabinetes o carpintero calificado. En el paquete del manual, se incluye una plantilla de tamaño real para marcar con más facilidad el patrón de orificios.

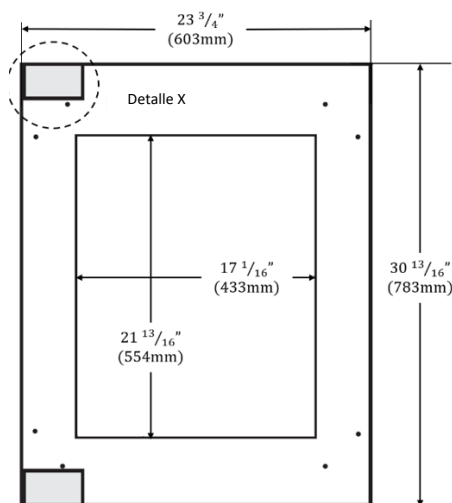
### IMPORTANTE:

- El espesor del marco de revestimiento debe ser de  $\frac{3}{4}$ " (19 mm).
- El marco de revestimiento no debe pesar más de 10 lb (4.54 kg).
- Un marco de revestimiento que pese más de lo recomendado puede causar daños a su electrodoméstico.
- Para instalar el marco, utilice únicamente los tornillos incluidos en el "kit de instalación".

Cree el marco de revestimiento personalizado a partir de las dimensiones que se muestran.

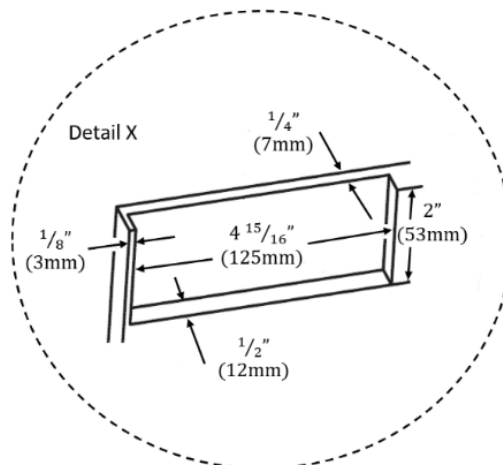
**IMPORTANTE:** Los siguientes gráficos muestran un marco personalizado para una puerta con bisagras instaladas del lado derecho. Si su refrigerador con puerta de vidrio tiene bisagras del lado izquierdo, gire el marco personalizado  $180^\circ$  para que las marcas estén a la izquierda.

Placa base - Vista posterior



### Nota:

1. El espesor de la placa base debe ser de  $\frac{3}{4}$ " (19 mm).
2. La placa base no debe pesar más de 10 lbs (4.54 kg).
3. Las placas base que pesan más que el peso recomendado, pueden causar daños a su aparato.
4. Para instalar la placa se recomienda buscar la ayuda de una segunda persona.
5. Utilice las herramientas recomendadas en el manual de instalación para un fácil montaje de la placa. Si no se utilizan las herramientas adecuadas o no se recurre a una segunda persona para obtener apoyo, esto puede ocasionar daños a la placa o al aparato.
6. La siguiente figura muestra una placa adaptada para una puerta con bisagras instaladas a la derecha. Si su cava tiene bisagras que están instaladas del lado izquierdo, gire la placa adaptada  $180^\circ$ , para que las bisagras se encuentren del lado izquierdo.

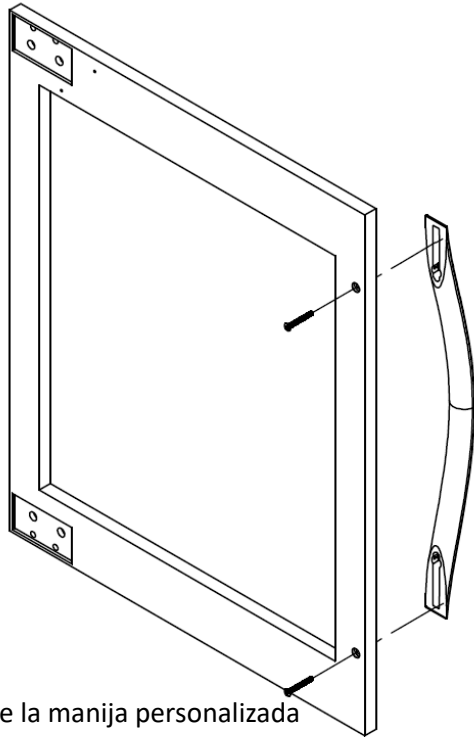


Dimensiones en pulgadas (mm)

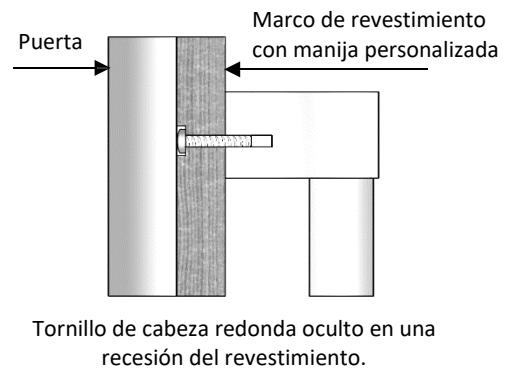
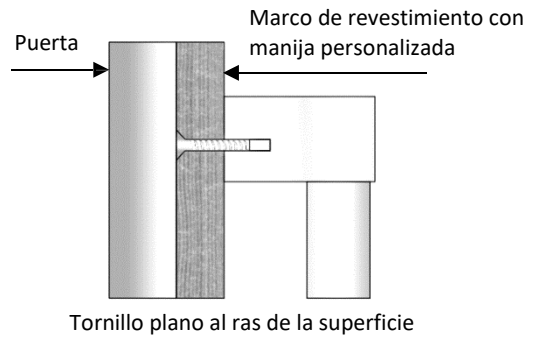
Para ver las dimensiones detalladas, consulte las especificaciones del marco en el **Apéndice A**.

**IMPORTANTE:** Se recomienda instalar el marco de revestimiento personalizado con la ayuda de otra persona.

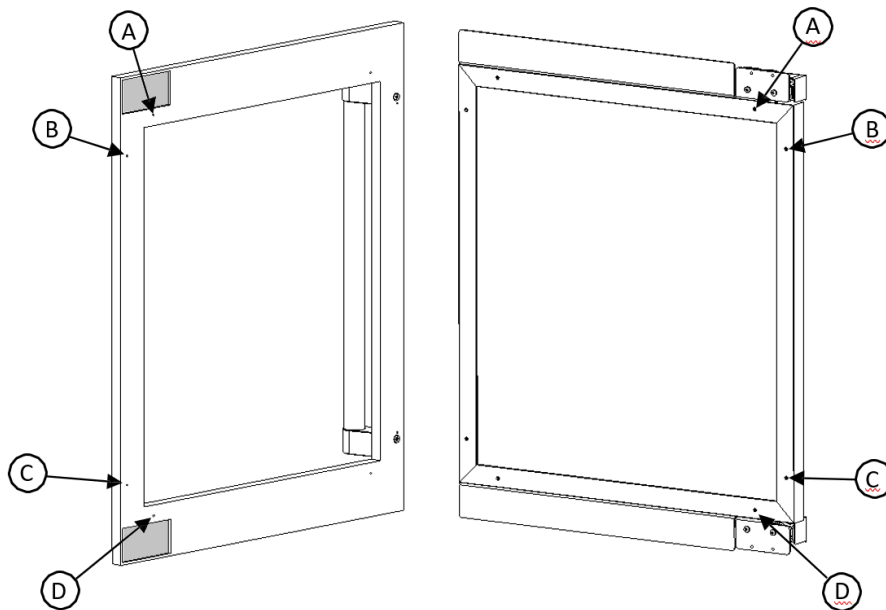
1. Instale la manija personalizada de su preferencia en el marco de revestimiento antes de instalar el marco en la puerta.
  - Todas las manijas personalizadas son diferentes y es responsabilidad del cliente hacer los ajustes necesarios para colocar la manija en el marco de revestimiento.
  - Los tornillos utilizados para fijar la manija personalizada al marco deben ser planos y quedar al ras de la superficie del marco; si los tornillos no son planos, piense en hacer una recesión en el recubrimiento lo suficientemente grande como para ocultar la cabeza del tornillo por debajo de la superficie del recubrimiento; de lo contrario, los tornillos interferirán con la correcta colocación del recubrimiento en la puerta.



Instale la manija personalizada en primer lugar.

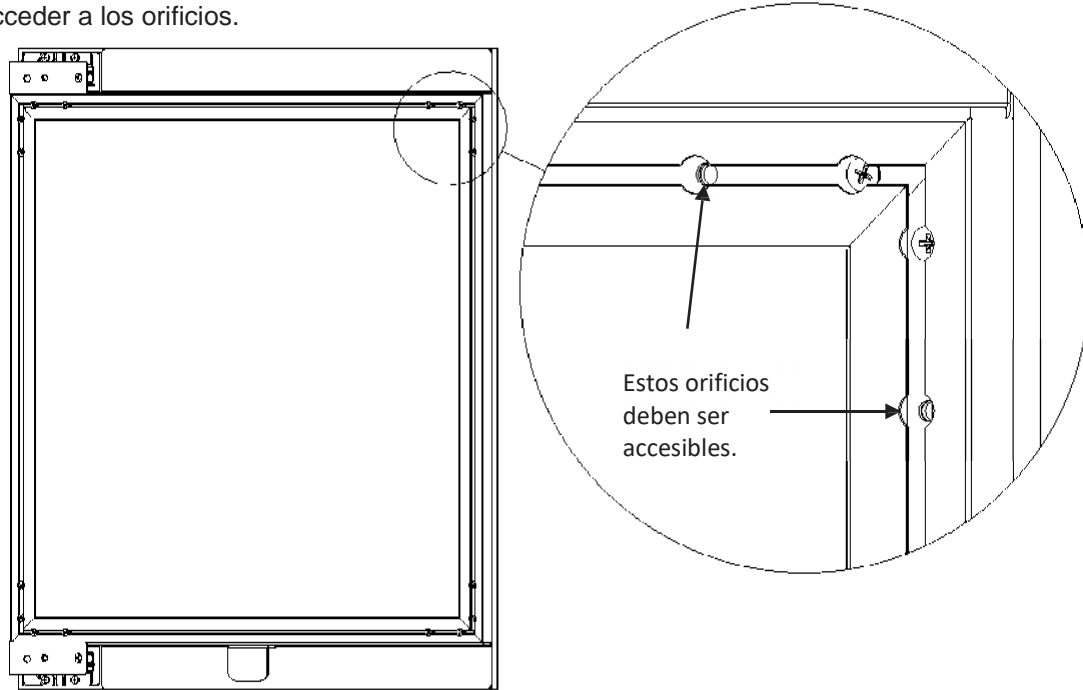


2. Ubique e identifique cada par de orificios en el marco de revestimiento que corresponden con los orificios en la puerta. Todos los orificios deben estar alineados para atornillar y ajustar el revestimiento a la puerta.

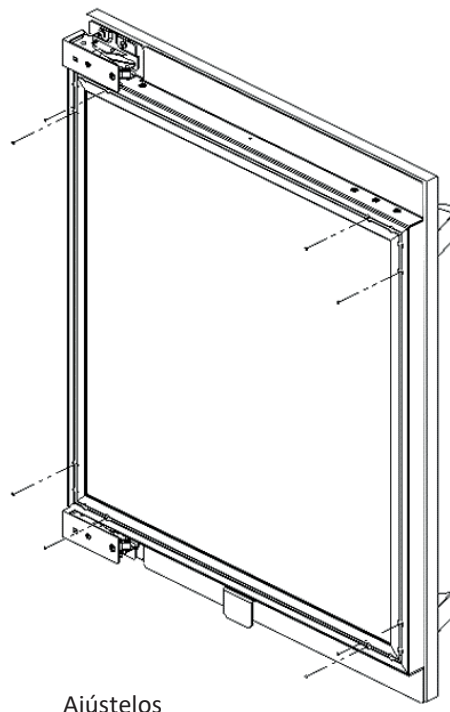
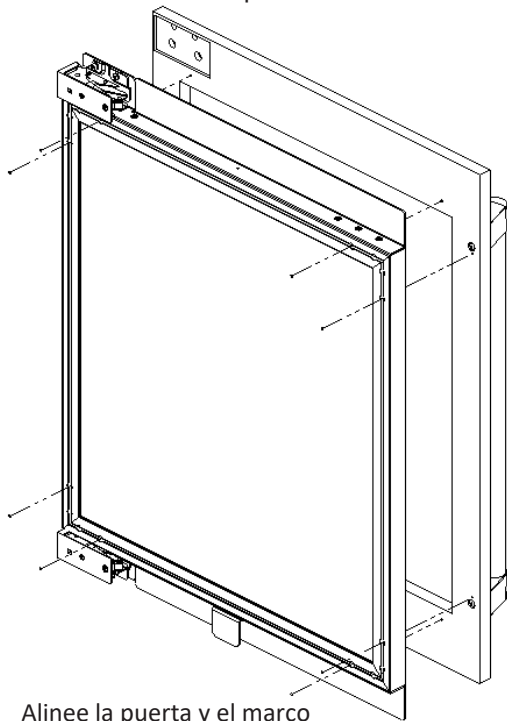


3. Retire la junta de las esquinas de la puerta tirando suavemente de ella hasta que los dos tornillos y los dos orificios queden a la vista. Se debe poder acceder a los dos orificios para atornillar el marco de revestimiento a la puerta. Hay 8 orificios en total, dos por esquina.

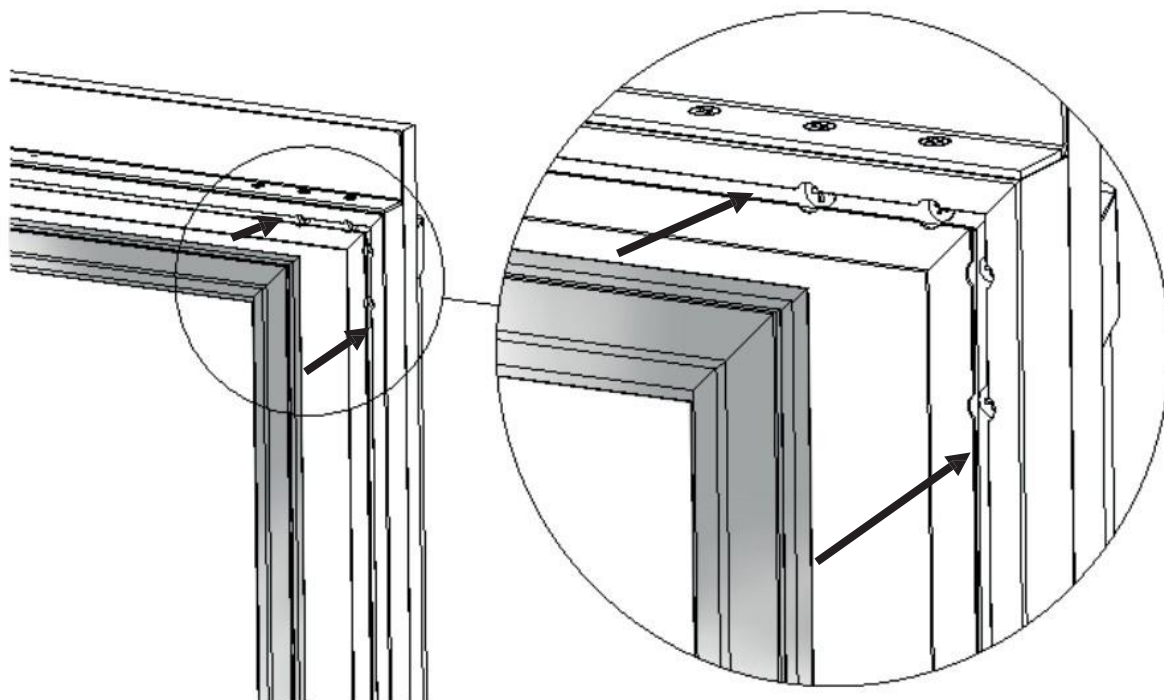
**NOTA:** No es necesario retirar toda la junta de la puerta, solo de la puerta, lo suficiente como para acceder a los orificios.



4. Alinee el marco de revestimiento con la puerta y sujételos uno contra el otro con firmeza mientras los atornilla. Con la ayuda de otra persona será más fácil sostener y mantener el marco en su lugar mientras lo ajusta. Con los 8 tornillos incluidos en el kit de instalación, ajuste el marco de revestimiento a la puerta.

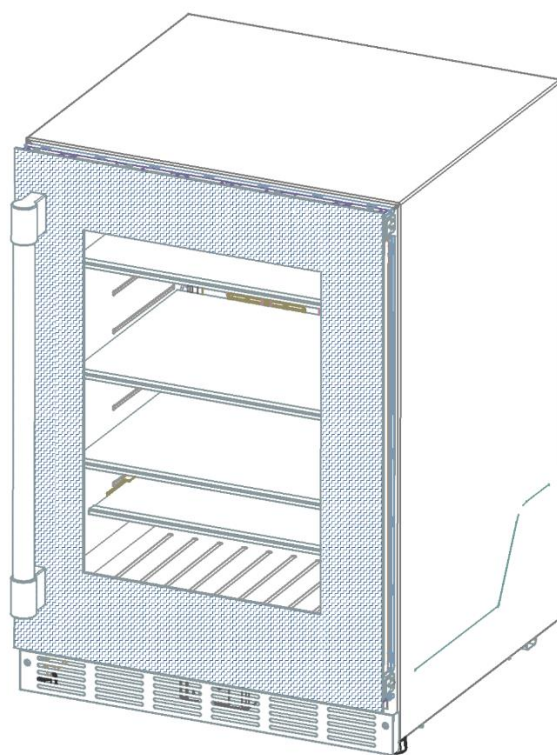


5. Una vez que el marco de revestimiento esté asegurado a la puerta con los 8 tornillos, vuelva a colocar la junta en su lugar presionándola contra la puerta hasta que esté pareja y firme en su canal.



Vuelva a colocar la junta en su lugar.

6. El marco de revestimiento ya está listo.





## Información de Atención al cliente

En caso de necesitar reparaciones, comuníquese con su distribuidor o un centro de servicio autorizado. No intente reparar el electrodoméstico usted mismo. Cualquier trabajo realizado por personal no autorizado podría anular la garantía. Si el problema persiste, tome las siguientes medidas (en el orden que se indica a continuación) hasta que el problema se haya corregido a su gusto.

1. Comuníquese con su distribuidor o el Centro de servicio autorizado de Thermador de su área.
2. Envíenos un correo desde la sección Customer Service (Atención al cliente) de nuestro sitio web, [www.Thermador.com](http://www.Thermador.com).
3. Escribanos a la siguiente dirección:

**BSH Home Appliances Corporation**  
**1901 Main Street, Suite 600**  
**Irvine, CA 92614**

4. Llámenos al: 1-800-735-4328

Asegúrese de incluir (si nos escribe) o de tener a mano (si nos llama) la siguiente información:

- Número de modelo
- Número de serie
- Fecha de compra original
- Fecha en que se originó el problema
- Explicación del problema

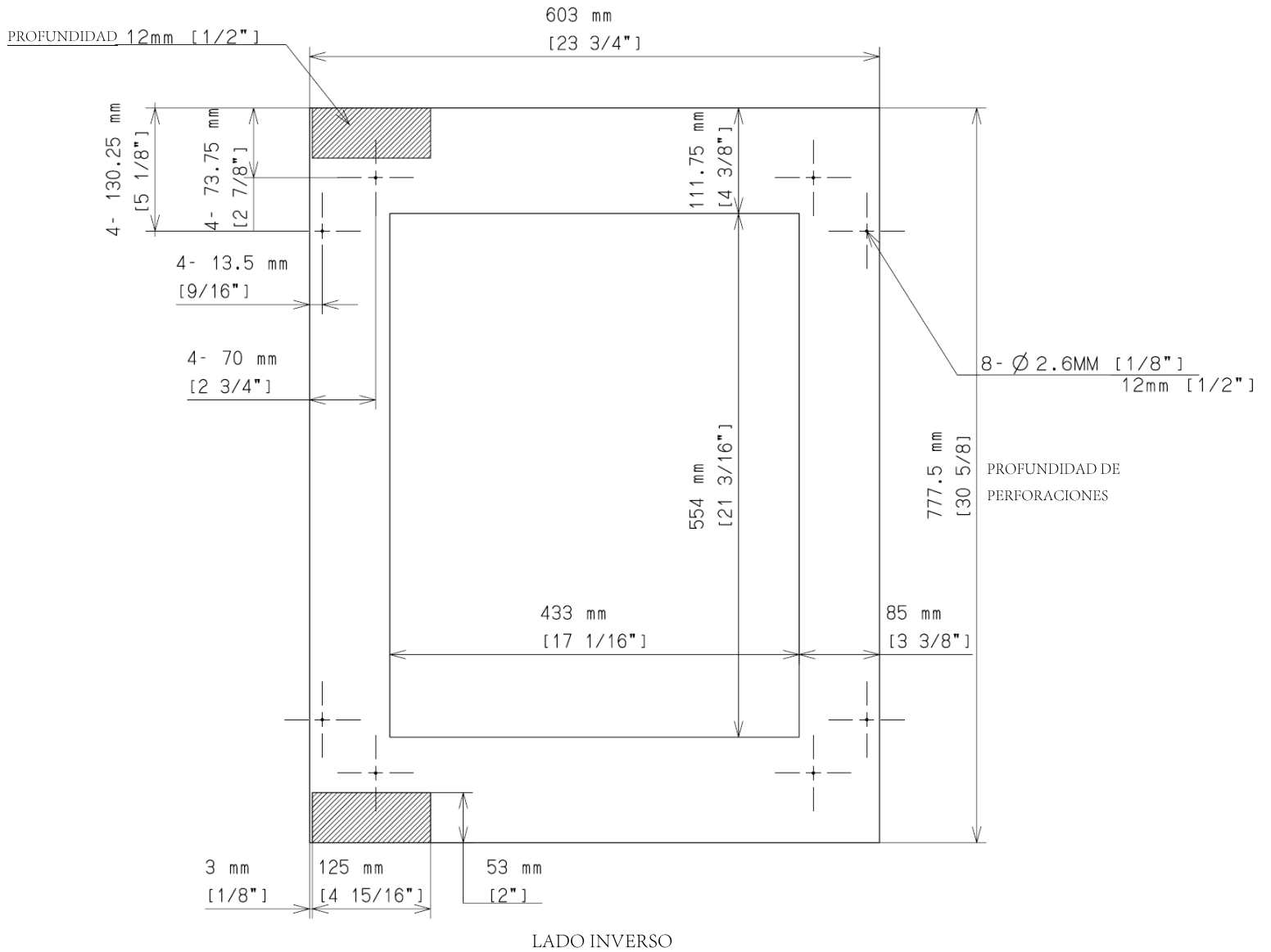
Además, si nos escribe, asegúrese de incluir un número de teléfono al que podamos llamarlo durante el día. (Encontrará el número de modelo y el número de serie en la etiqueta que se encuentra dentro del gabinete en el lado opuesto de la bisagra).

# Apéndice A.

## Dimensiones detalladas para el marco de revestimiento.

**Importante**

- El espesor del marco de revestimiento debe ser de 3/4" (19 mm).
- El marco de revestimiento no debe pesar más de 10 lb (4.54 kg).



## **Etiqueta de clasificación de datos**

La etiqueta de clasificación de datos muestra el modelo y el número de serie de su electrodoméstico. Se encuentra en el interior del gabinete, en el lado opuesto de la bisagra.

## **Información de servicio**

Para tenerla como referencia a mano, copie la información en el siguiente formulario de la etiqueta de clasificación de datos que se encuentra en el interior del gabinete, en el lado opuesto de la bisagra. Conserve su factura para que la garantía tenga validez.

Número de modelo \_\_\_\_\_

Número de serie \_\_\_\_\_

Fecha de compra \_\_\_\_\_

Nombre del distribuidor \_\_\_\_\_

Número de teléfono del distribuidor \_\_\_\_\_

Nombre del Centro de servicio \_\_\_\_\_

Número de teléfono del Centro de servicio \_\_\_\_\_



**PN:** 9001700452 B  
T24UR925RS  
T24UR925LS  
T24UR915RS  
T24UR915LS  
T24UR905RP  
T24UR905LP

01/2022  
Printed in Mexico  
Impreso en México  
Imprime au Mexique

BSH Home Appliances Corporation, 1906 Main Street, Suite 600, Irvine CA 92614  
1-800-735-4328 // [www.thermador.com](http://www.thermador.com)